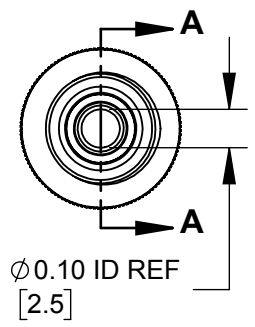
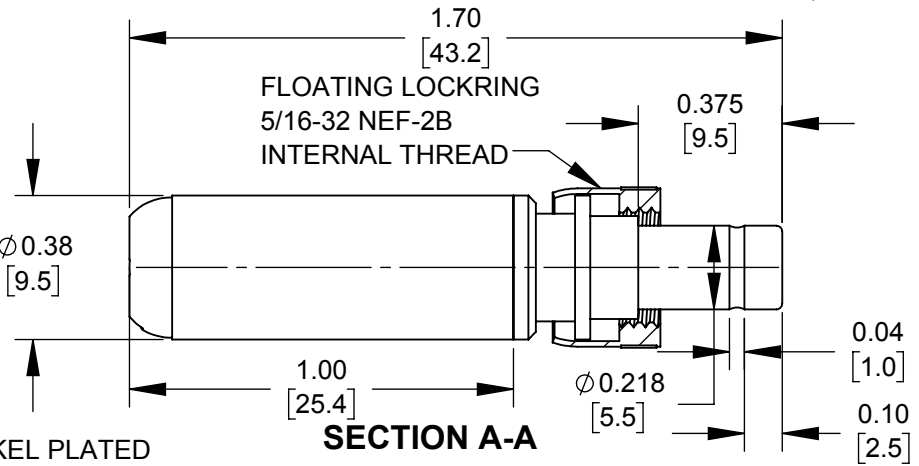
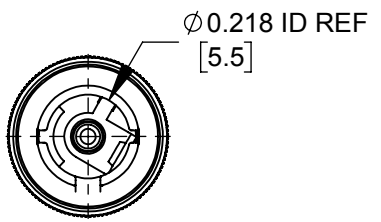
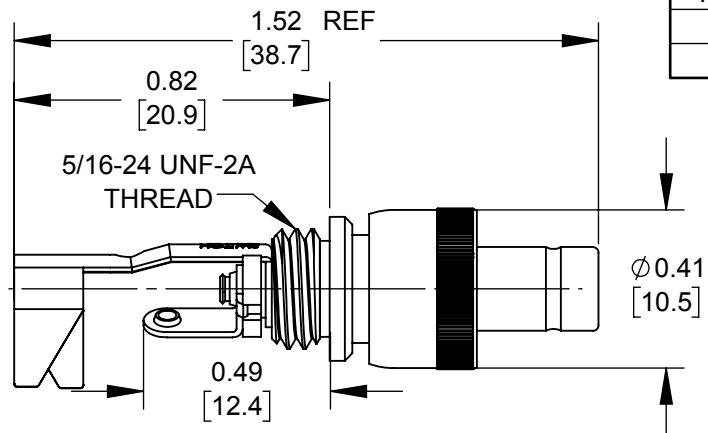


| PART NUMBER | HANDLE COLOR |
|-------------|--------------|
| 760KHZ | BLACK |
| 765KHZ | RED |



- NOTES:
- MATERIALS:
 CONDUCTORS & LOCKRING - BRASS, NICKEL PLATED
 TERMINALS - BRASS, TIN PLATED
 INSULATORS & HANDLE - THERMOPLASTIC

2. THIS PRODUCT IS RoHS COMPLIANT

CUSTOMER DRAWING

| | | | | |
|--------------------------------------|------------|------|----|------|
| UNLESS OTHERWISE SPECIFIED | | | | |
| 1. ALL DIMENSIONS IN INCHES [mm] | | | | |
| - TWO PLACE DECIMALS ±0.02 [0.5] | | | | |
| - THREE PLACE DECIMALS ±0.005 [0.13] | | | | |
| REV | ECO NUMBER | DATE | BY | APVD |
| REVISIONS | | | | |

| | | | | | | | | | |
|--|-------|----------|-------|--------|---------------|------|--|------|--|
| THIS DRAWING DESCRIBES A DESIGN CONSIDERED PROPRIETARY IN NATURE, DEVELOPED AND MANUFACTURED BY SWITCHCRAFT INC. AND IS RELEASED ON A CONFIDENTIAL BASIS FOR IDENTIFICATION PURPOSES ONLY. | | | | | | | | | |
| SIZE | WIDTH | MULT | LBS/M | TEMPER | | | | | |
| FINISH | | MATERIAL | | | | | | | |
| SPEC No. | | SPEC No. | | | | | | | |
| FIRST USED ON | | | | SCALE | | | | | |
| DATE DRAWN | | | | BY | | CHKD | | APVD | |
| 11/06/19 | | | | AM | | * | | * | |
| NAME | | | | | PART No. | | | | |
| Ø 0.10 [2.5]mm X 0.375 LONG | | | | | 760KHZ-765KHZ | | | | |
| IMPRVD HT PWR PLG W/LOCKRING, RoHS | | | | | REV | | | | |
| | | | | | 0A | | | | |

X-ON Electronics

Largest Supplier of Electrical and Electronic Components

Click to view similar products for [DC Power Connectors](#) category:

Click to view products by [SWITCHCRAFT](#) manufacturer:

Other Similar products are found below :

[RAPC3FG](#) [B04P-VL-VN-1.8](#) [1600206-1](#) [163-0302](#) [163-0310-EX](#) [163-4024](#) [163-4117-EX](#) [163-5005-E](#) [163-7421](#) [171-0721-EX](#) [171-3118-EX](#) [173-23507-ST-EX](#) [KLDVX-SMT-02-ATR](#) [KLDX-SMT-0202-BP](#) [KLDX-SMT-0202-BPTR](#) [163-0179-EX](#) [163-0307-E](#) [163-4119-E](#) [171-0722-E](#) [171-3218-EX](#) [171-7391](#) [173-3413-ST-EX](#) [RAPCBRK](#) [K596](#) [KLD-0201-BC](#) [KLDVX-SMT-02-BTR](#) [KPPX-D](#) [RAPC3MHG](#) [RASM752TRX](#) [163-4800-E](#) [4C6831AX](#) [ACJS-HHDR-AU](#) [TS3PNJ](#) [DC-025LM-5A-2.5](#) [CL14218R](#) [AS250F RED](#) [DC-105-4A-1.6](#) [09441](#) [AS120-F](#) [09442](#) [AS120-M](#) [CP30240](#) [TAMIYA-M](#) [TAMIYA-MT1](#) [TAMIYA-MT2](#) [4840.1200](#) [4840.2202](#) [C5080HI-04P-18 + C5080HI-C](#) [JC-138](#) [JPO-25 \(FC6814\)](#) [JYO-26 \(FC6811\)](#) [JYO-29 \(FC68102\)](#)