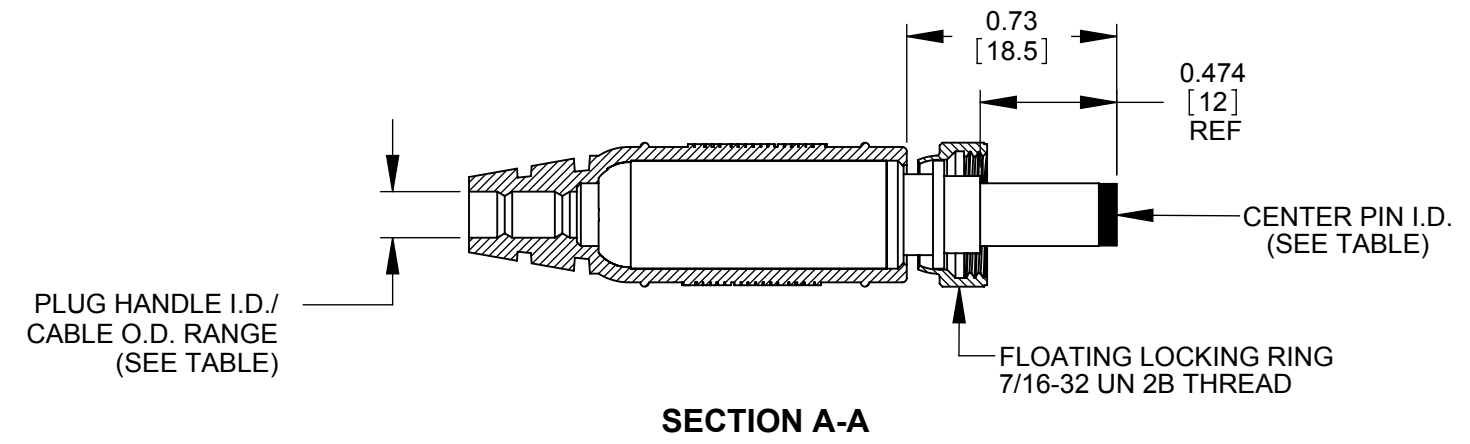
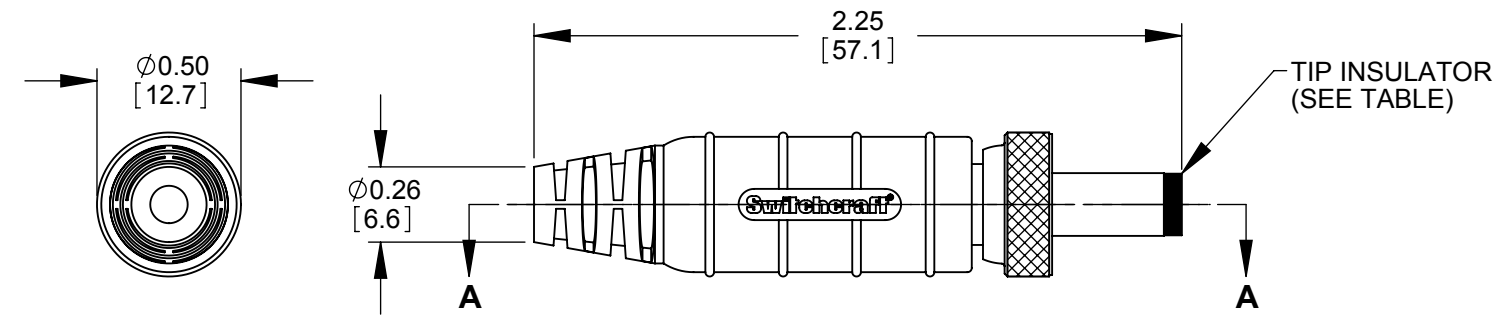


PART NUMBER	CENTER PIN I.D./ PLUG SIZE	TIP INSULATOR COLOR	CABLE NOMINAL O.D. RANGE	MATING POWER JACKS
761KS12	0.10 [2.5]	Black	0.125 - 0.150 [3.2 - 3.8mm]	L712AS, L712RAS, PCL712AS
761KS15		Black	0.150 - 0.175 [3.8 - 4.4mm]	
761KS17		Black	0.175 - 0.210 [4.4 - 5.1mm]	
S761KS12	0.08 [2.0]	White	0.125 - 0.150 [3.2 - 3.8mm]	L722AS, L722RAS, PCL722AS
S761KS15		White	0.150 - 0.175 [3.8 - 4.4mm]	
S761KS17		White	0.175 - 0.210 [4.4 - 5.1mm]	
767KS12	0.084 [2.1]	Red	0.125 - 0.150 [3.2 - 3.8mm]	
767KS15		Red	0.150 - 0.175 [3.8 - 4.4mm]	
767KS17		Red	0.175 - 0.210 [4.4 - 5.1mm]	



CUSTOMER DRAWING

NOTES:

- MATERIAL:
CONTACTORS, LOCKING RING - COPPER ALLOY, NICKEL PLATED
TERMINALS - COPPER ALLOY, TIN PLATED
INSULATORS - THERMOPLASTIC
PLUG HANDLE - THERMOPLASTIC RUBBER OVER THERMOPLASTIC, BLACK
- THIS PRODUCT IS RoHS COMPLIANT

REV	ECO NUMBER	DATE	BY	APVD
A	26591	8/6/10	RS	TJK
REVISIONS				

UNLESS OTHERWISE SPECIFIED

1. ALL DIMENSIONS IN INCHES

- TWO PLACE DECIMALS ± 0.02

- THREE PLACE DECIMALS ± 0.005

DO NOT SCALE DRAWING

THIS DRAWING DESCRIBES A DESIGN CONSIDERED PROPRIETARY IN NATURE, DEVELOPED AND MANUFACTURED BY SWITCHCRAFT INC. AND IS RELEASED ON A CONFIDENTIAL BASIS FOR IDENTIFICATION PURPOSES ONLY.										
SIZE	WIDTH	MULT	LBS/M	TEMPER						
FINISH					MATERIAL					
SPEC No.					SPEC No.					
FIRST USED ON				SCALE						
				1.5:1						
DATE DRAWN	BY	CHKD	APVD	Switchcraft®						
7/22/09	PNK	RS	TJK	SHEET 1 OF 1						
				8/6/10		8/6/10		PART No.		REV
NAME								761KS, 767KS, S761KS SERIES		A
SEALED POWER PLUGS, RoHS										

X-ON Electronics

Largest Supplier of Electrical and Electronic Components

Click to view similar products for [DC Power Connectors](#) category:

Click to view products by [Switchcraft](#) manufacturer:

Other Similar products are found below :

[RAPC3FG](#) [B04P-VL-VN-1.8](#) [1600206-1](#) [163-0302](#) [163-0310-EX](#) [163-4024](#) [163-4117-EX](#) [163-5005-E](#) [163-7421](#) [171-0721-EX](#) [171-3118-EX](#) [173-23507-ST-EX](#) [KLDVX-SMT-02-ATR](#) [KLDX-SMT-0202-BP](#) [KLDX-SMT-0202-BPTR](#) [163-0179-EX](#) [163-0307-E](#) [163-4119-E](#) [171-0722-E](#) [171-3218-EX](#) [171-7391](#) [173-3413-ST-EX](#) [RAPCBRK](#) [K596](#) [KLD-0201-BC](#) [KLDVX-SMT-02-BTR](#) [KPPX-D](#) [RAPC3MHG](#) [RASM752TRX](#) [163-4800-E](#) [4C6831AX](#) [ACJS-HHDR-AU](#) [TS3PNJ](#) [DC-025LM-5A-2.5](#) [CL14218R](#) [AS250F RED](#) [DC-105-4A-1.6](#) [163-0210A-E](#) [09441 AS120-F](#) [09442 AS120-M](#) [CP30240](#) [TAMIYA-M](#) [TAMIYA-MT1](#) [TAMIYA-MT2](#) [4840.1200](#) [4840.2202](#) [C5080HI-04P-18](#)
[+ C5080HI-C](#) [JC-138](#) [JPO-25 \(FC6814\)](#) [JYO-26 \(FC6811\)](#)