

SLEEVE TERMINAL
CABLE CLAMP

HANDLE
SHIPPED
UNASSEMBLED

TIP TERMINAL

COUPLING RING

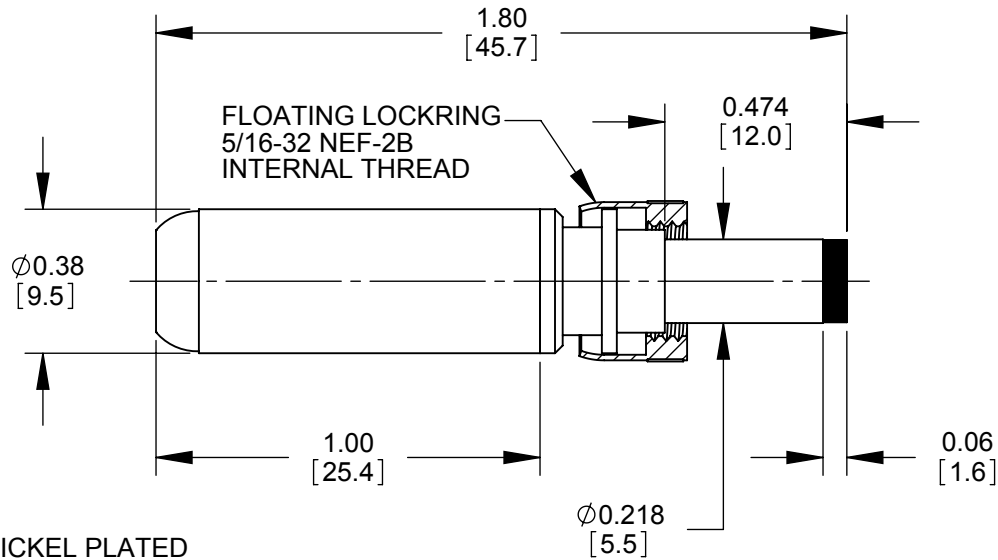
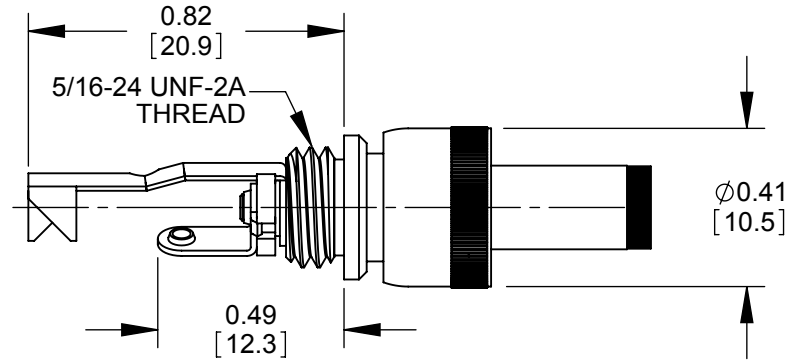
Ø0.218 ID REF
[5.5]

Ø0.38
[9.5]

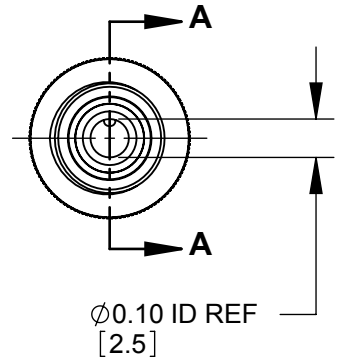
NOTES:

1. MATERIALS:
CONDUCTORS, LOCKRING - BRASS, NICKEL PLATED
TERMINALS - BRASS, TIN PLATED
INSULATORS, HANDLE - THERMOPLASTIC

2. THIS PRODUCT IS RoHS COMPLIANT



PART NUMBER	HANDLE COLOR
761K	BLACK
766K	RED



CUSTOMER DRAWING

THIS DRAWING DESCRIBES A DESIGN CONSIDERED PROPRIETARY IN NATURE, DEVELOPED AND MANUFACTURED BY SWITCHCRAFT INC. AND IS RELEASED ON A CONFIDENTIAL BASIS FOR IDENTIFICATION PURPOSES ONLY.

UNLESS OTHERWISE SPECIFIED

1. ALL DIMENSIONS IN INCHES
- TWO PLACE DECIMALS ±0.02
- THREE PLACE DECIMALS ±0.005

SIZE *	WIDTH *	MULT *	LBS/M *	TEMPER *
FINISH *			MATERIAL *	
SPEC No. *			SPEC No. *	
FIRST USED ON *		SCALE 2:1		
DATE DRAWN 2-18-94	BY ES	CHKD JLD 2-22-94	APVD GHJ 2-22-94	
NAME Ø0.10 [2.5]mm x 0.474 LONG POWER PLUG W/LOCKRING, RoHS			PART No. 761K-766K	
DO NOT SCALE DRAWING			REV D	

Switchcraft®

SHEET 1 OF 1

SolidWorks CAD File



REV	ECO NUMBER	DATE	BY	APVD
D	25989	11-13-08	JEB	TJK
REVISIONS				

X-ON Electronics

Largest Supplier of Electrical and Electronic Components

Click to view similar products for [DC Power Connectors](#) category:

Click to view products by [Switchcraft](#) manufacturer:

Other Similar products are found below :

[RAPC3FG](#) [B04P-VL-VN-1.8](#) [1600206-1](#) [163-0302](#) [163-0310-EX](#) [163-4024](#) [163-4117-EX](#) [163-5005-E](#) [163-7421](#) [171-0721-EX](#) [171-3118-EX](#) [173-23507-ST-EX](#) [KLDVX-SMT-02-ATR](#) [KLDX-SMT-0202-BP](#) [KLDX-SMT-0202-BPTR](#) [163-0179-EX](#) [163-0307-E](#) [163-4119-E](#) [171-0722-E](#) [171-3218-EX](#) [171-7391](#) [173-3413-ST-EX](#) [RAPCBRK](#) [K596](#) [KLD-0201-BC](#) [KLDVX-SMT-02-BTR](#) [KPPX-D](#) [TPCF-140-01-L-Q-4-RA](#) [RAPC3MHG](#) [RASM752TRX](#) [163-4800-E](#) [4C6831AX](#) [TS3PNJ](#) [DC-025LM-5A-2.5](#) [CL14218R](#) [AS250F RED](#) [DC-105-4A-1.6](#) [09441 AS120-F](#) [09442 AS120-M](#) [CP30240](#) [TAMIYA-M](#) [TAMIYA-MT1](#) [TAMIYA-MT2](#) [4840.1200](#) [4840.2202](#) [C5080HI-04P-18 + C5080HI-C](#) [JC-138](#) [JPO-25 \(FC6814\)](#) [JYO-26 \(FC6811\)](#) [JYO-29 \(FC68102\)](#)