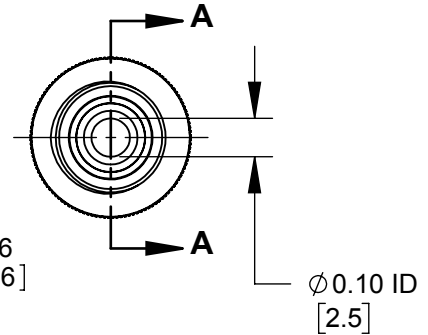
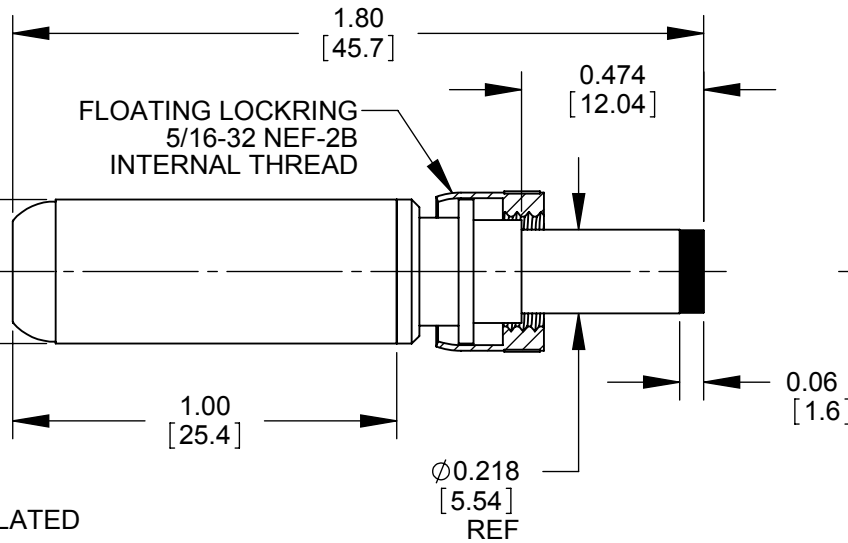
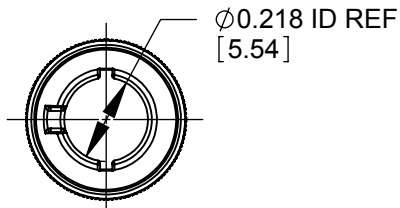


PART NUMBER	HANDLE COLOR
761KH	BLACK
766KH	RED



NOTES:

- MATERIALS:
 CONDUCTORS, LOCKRING - BRASS, NICKEL PLATED
 TERMINALS - BRASS, TIN PLATED
 INSULATORS, HANDLE - THERMOPLASTIC

2. THIS PRODUCT IS RoHS COMPLIANT

CUSTOMER DRAWING

					THIS DRAWING DESCRIBES A DESIGN CONSIDERED PROPRIETARY IN NATURE, DEVELOPED AND MANUFACTURED BY SWITCHCRAFT INC. AND IS RELEASED ON A CONFIDENTIAL BASIS FOR IDENTIFICATION PURPOSES ONLY.						
					SIZE	WIDTH	MULT	LBS/M	TEMPER		
					UNLESS OTHERWISE SPECIFIED			FINISH			
					1. ALL DIMENSIONS IN INCHES [mm]			MATERIAL			
					- TWO PLACE DECIMALS ±0.02 [0.5]			SPEC No.			
					- THREE PLACE DECIMALS ±0.005 [0.13]			SCALE			
					FIRST USED ON		2:1				
A	27941	09/06/17	PC	TJK	DATE DRAWN	BY	CHKD	APVD	Switchcraft®		
REV	ECO NUMBER	DATE	BY	APVD	6/27/16	PNK	PNK	SRC			
REVISIONS					DO NOT SCALE DRAWING					SHEET 1 OF 1	
					NAME Ø0.10 [2.5]mm x 0.474 LONG HT POWER PLUG W/LOCKRING, RoHS					PART No. 761KH-766KH	REV A

SolidWorks CAD File



X-ON Electronics

Largest Supplier of Electrical and Electronic Components

Click to view similar products for [DC Power Connectors](#) category:

Click to view products by [Switchcraft](#) manufacturer:

Other Similar products are found below :

[RAPC3FG](#) [B04P-VL-VN-1.8](#) [1600206-1](#) [163-0302](#) [163-0310-EX](#) [163-4024](#) [163-4117-EX](#) [163-5005-E](#) [163-7421](#) [171-0721-EX](#) [171-3118-EX](#) [173-23507-ST-EX](#) [KLDVX-SMT-02-ATR](#) [KLDX-SMT-0202-BP](#) [KLDX-SMT-0202-BPTR](#) [163-0179-EX](#) [163-0307-E](#) [163-4119-E](#) [171-0722-E](#) [171-3218-EX](#) [171-7391](#) [173-3413-ST-EX](#) [RAPCBRK](#) [K596](#) [KLD-0201-BC](#) [KLDVX-SMT-02-BTR](#) [KPPX-D](#) [RAPC3MHG](#) [RASM752TRX](#) [163-4800-E](#) [4C6831AX](#) [ACJS-HHDR-AU](#) [TS3PNJ](#) [DC-025LM-5A-2.5](#) [CL14218R](#) [AS250F RED](#) [DC-105-4A-1.6](#) [163-0210A-E](#) [09441 AS120-F](#) [09442 AS120-M](#) [CP30240](#) [TAMIYA-M](#) [TAMIYA-MT1](#) [TAMIYA-MT2](#) [4840.1200](#) [4840.2202](#) [C5080HI-04P-18](#)
[+ C5080HI-C](#) [JC-138](#) [JPO-25 \(FC6814\)](#) [JYO-26 \(FC6811\)](#)