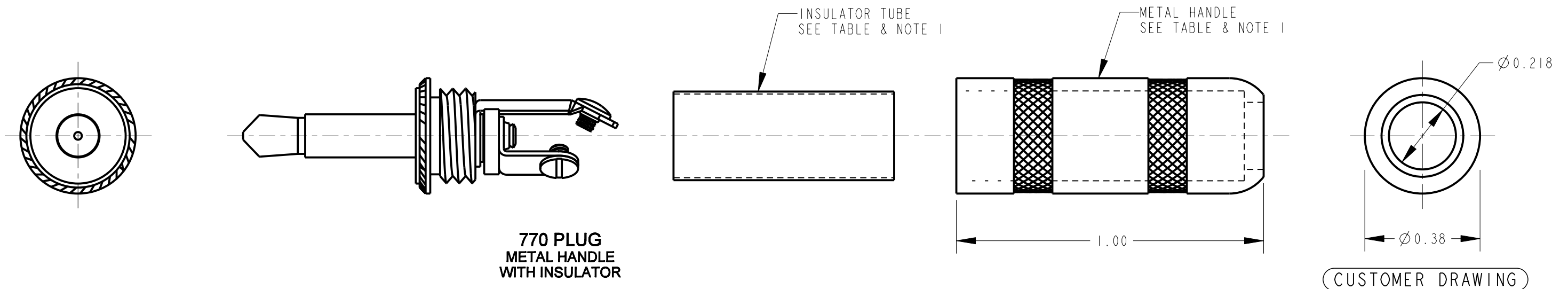
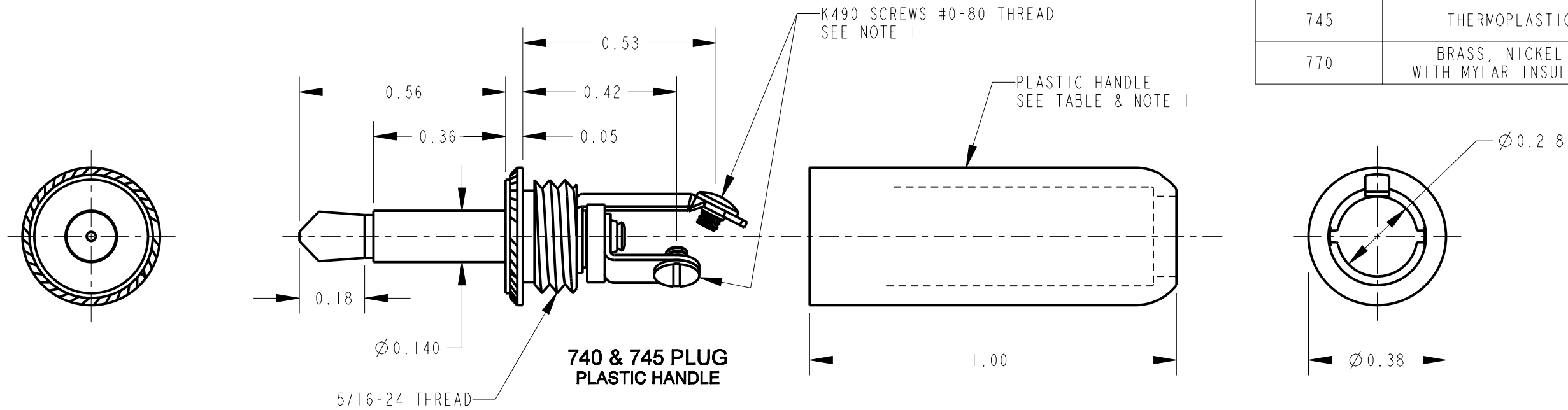


PART NUMBER	HANDLE - MATERIAL AND FINISH
740	THERMOPLASTIC, BLACK
745	THERMOPLASTIC, RED
770	BRASS, NICKEL PLATED WITH MYLAR INSULATOR TUBE



NOTES:

- SCREWS, HANDLE AND INSULATOR SHIPPED UNASSEMBLED.
- MATES WITH SWITCHCRAFT #41 JACK.
- MATERIALS:  
 PLUG BODY - BRASS, NICKEL PLATED  
 TIP ROD - BRASS, NICKEL PLATED  
 PLUG INSULATORS - PHENOLIC & MYLAR  
 TERMINALS - BRASS, TIN PLATED  
 SCREWS - BRASS, NICKEL PLATED  
 HANDLE AND INSULATOR TUBE - SEE TABLE
- THESE PRODUCTS ARE RoHS COMPLIANT.

REV	ECO NUMBER	DATE	BY	APVD
D	27210	10-18-13	TO	TJK
C	26777	5-23-11	TJK	TJK
REVISIONS				

★ STAR SYMBOL DENOTES CRITICAL DIMENSION

UNLESS OTHERWISE SPECIFIED

- ALL DIMENSIONS IN INCHES  
 - TWO PLACE DECIMALS ±0.01  
 - THREE PLACE DECIMALS ±0.005  
 - ANGLES ±1°  
 - ALL DIA. CONCENTRIC WITHIN 0.005 T.I.R.
- FEATURES ON THE SAME CENTERLINE MUST BE ALIGNED WITHIN ±0.002
- REMOVE ALL BURRS

DO NOT SCALE DRAWING

THIS DRAWING DESCRIBES A DESIGN CONSIDERED PROPRIETARY IN NATURE, DEVELOPED AND MANUFACTURED BY SWITCHCRAFT INC. AND IS RELEASED ON A CONFIDENTIAL BASIS FOR IDENTIFICATION PURPOSES ONLY.									
SIZE	WIDTH	MULT	LBS/M	TEMPER					
FINISH					MATERIAL				
SPEC No.					SPEC No.				
FIRST USED ON			SCALE		<b>Switchcraft</b> <sup>®</sup>				
			3:1						
DATE DRAWN	BY	CHKD	APVD						
19-May-64	JRT	CJD	LG						
			7-6-64		7-7-64				
NAME TINI PLUG, 2 CONDUCTOR WITH SCREW TERMINALS, RoHS					PART No.		REV		
					740 745 770		D		

## X-ON Electronics

Largest Supplier of Electrical and Electronic Components

*Click to view similar products for [Phone Connectors](#) category:*

*Click to view products by [Switchcraft](#) manufacturer:*

Other Similar products are found below :

[M444B](#) [6J1041A](#) [R4F](#) [E12BPKG](#) [ECP4PKG](#) [MT333X](#) [171-0350-EX](#) [171-101A-EX](#) [171-3325-EX](#) [176S](#) [NC3MG-V](#) [NYS228G](#) [P10834](#)  
[P2380](#) [P2381X](#) [P2411X](#) [P2412](#) [P2724](#) [JM2PB-AU BULK](#) [9144](#) [S2674](#) [280L](#) [163-158N-2-E](#) [171-3308-EX](#) [171-3500-E](#) [2501FT](#) [CMT335](#)  
[M10662](#) [330Q](#) [RJ5VI-S](#) [40116](#) [TM1R-AU](#) [TM2PBMJ-AU](#) [TM2PJ-AU](#) [TM2PJ-AU BULK](#) [4803.1351](#) [49201](#) [49205](#) [TS3PBJ-AU](#)  
[TS3PBMJ-AU](#) [TT32BX](#) [54B](#) [C55BX](#) [40112](#) [40205](#) [415](#) [XMT332B](#) [52170017-331](#) [570](#) [NM3](#)