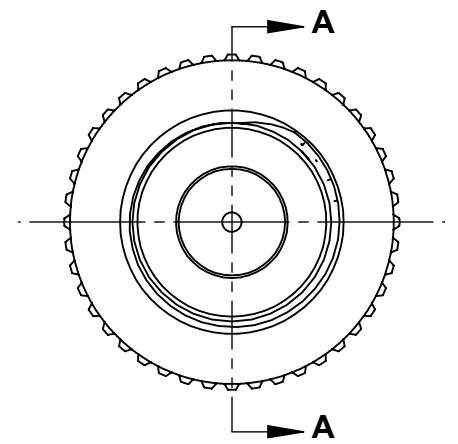
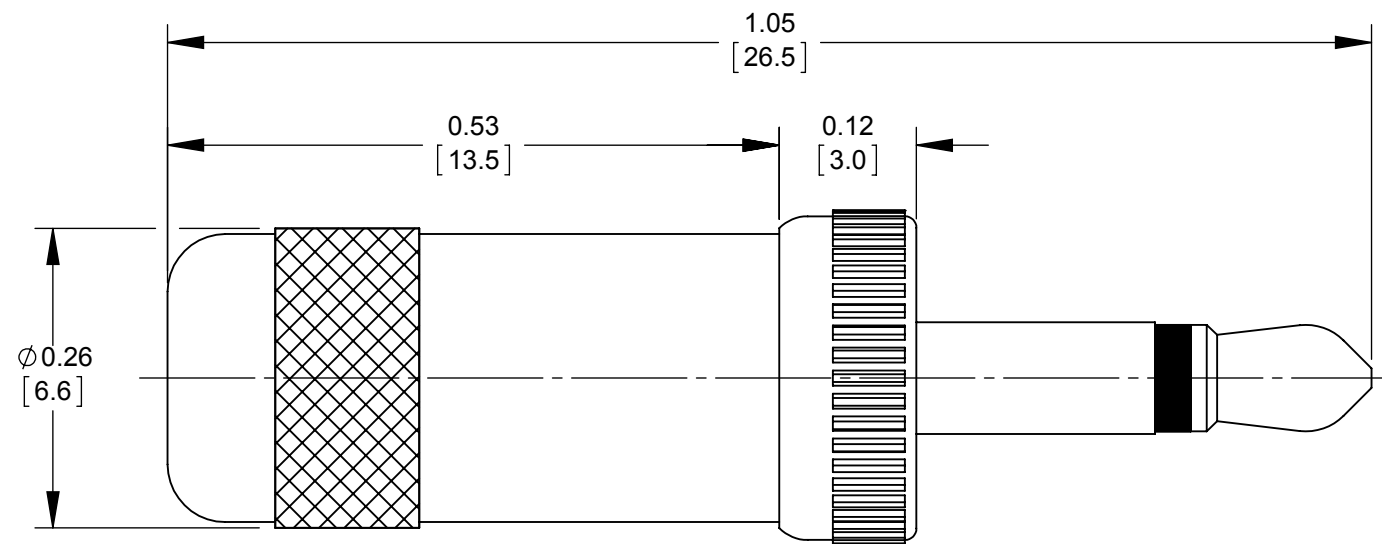
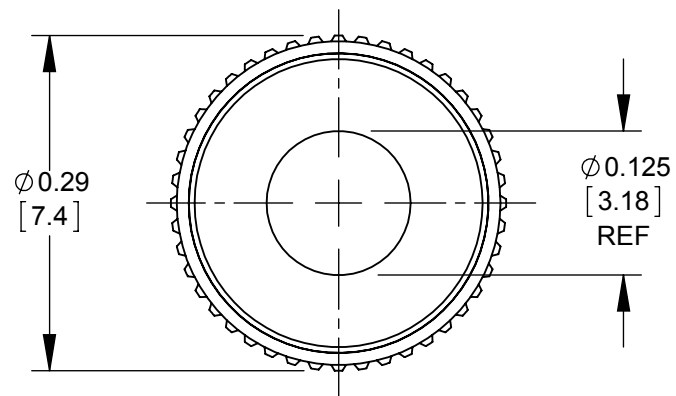
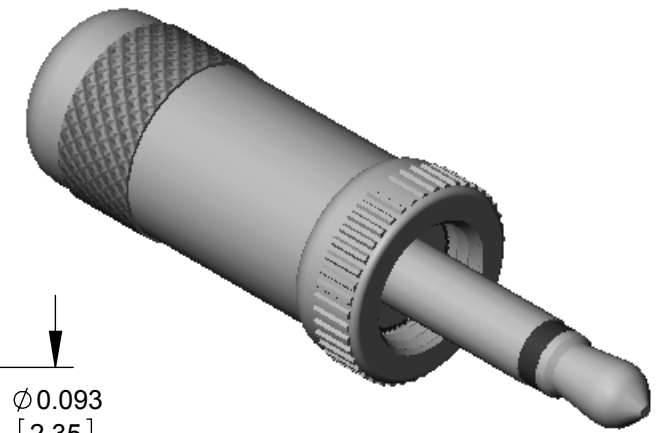
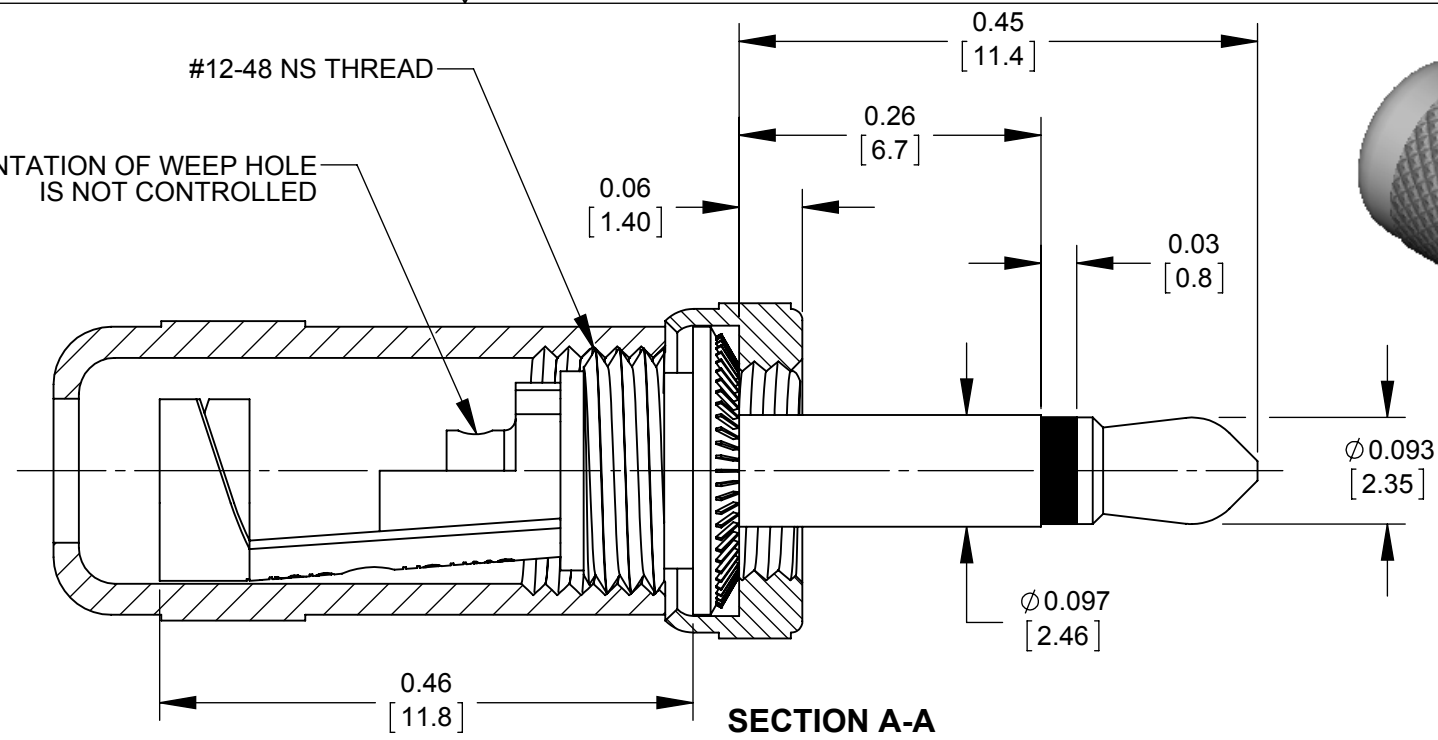


B ORIENTATION OF WEEP HOLE IS NOT CONTROLLED



NOTES:

- MATERIALS:
TIP, BODY AND COUPLING RING - COPPER ALLOY, NICKEL PLATED
CABLE CLAMP - COPPER ALLOY, TIN PLATED
INSULATION - THERMOPLASTIC, DARK GRAY
HANDLE - ANODIZED ALUMINUM, SEE TABLE FOR COLOR
- COUPLING RING HAS A #10-48 NS-2B THREAD. 0.050 MINIMUM THREAD PROJECTION OF JACK FOR PROPER LOCK.
- HANDLE IS SHIPPED UNASSEMBLED.
- THIS PRODUCT IS RoHS COMPLIANT.

PART NUMBER	HANDLE COLOR
851X	BLACK
856X	RED
881X	CLEAR ANODIZED

CUSTOMER DRAWING

REV	ECO NUMBER	DATE	BY	APVD
B	27510	06-03-15	TJK	TJK
A	26062	06-28-06	TO	TJK

UNLESS OTHERWISE SPECIFIED
1. ALL DIMENSIONS IN INCHES [mm]
- TWO PLACE DECIMALS ±0.02 [0.5]
- THREE PLACE DECIMALS ±0.005 [0.13]

DO NOT SCALE DRAWING

THIS DRAWING DESCRIBES A DESIGN CONSIDERED PROPRIETARY IN NATURE, DEVELOPED AND MANUFACTURED BY SWITCHCRAFT INC. AND IS RELEASED ON A CONFIDENTIAL BASIS FOR IDENTIFICATION PURPOSES ONLY.										
SIZE	WIDTH	MULT	LBS/M	TEMPER						
FINISH					MATERIAL					
SPEC No.					SPEC No.					
FIRST USED ON				SCALE 6:1						
DATE DRAWN	BY	CHKD	APVD	Switchcraft®						
01-23-08	AH	AH	TJK	SHEET 1 OF 1						
				NAME 2 CONDUCTOR, LOCKING MICRO-PLUG ASSEMBLY, RoHS				PART No. 851X, 856X, 881X		REV B

X-ON Electronics

Largest Supplier of Electrical and Electronic Components

Click to view similar products for [Phone Connectors](#) category:

Click to view products by [Switchcraft](#) manufacturer:

Other Similar products are found below :

[M444B](#) [6J1041A](#) [R4F](#) [E12BPKG](#) [ECP4PKG](#) [161-3502L-E](#) [MT333X](#) [171-0350-EX](#) [171-101A-EX](#) [171-3325-EX](#) [176S](#) [NC3MG-V](#)
[NS112BX](#) [NYS228G](#) [P10834](#) [P2380](#) [P2381X](#) [P2411X](#) [P2412](#) [P2724](#) [JM2PB-AU BULK](#) [9144](#) [S2674](#) [280L](#) [163-158N-2-E](#) [171-3308-EX](#)
[171-3500-E](#) [2501FT](#) [CMT335](#) [M10662](#) [330Q](#) [RJ5VI-S](#) [40116](#) [TM1R-AU](#) [TM2PBMJ-AU](#) [TM2PJ-AU](#) [TM2PJ-AU BULK](#) [4803.1351](#)
[49201](#) [49205](#) [TS3PBJ-AU](#) [TS3PBMJ-AU](#) [TT32BX](#) [54B](#) [40112](#) [40205](#) [415](#) [XMT332B](#) [52170017-331](#) [570](#)