

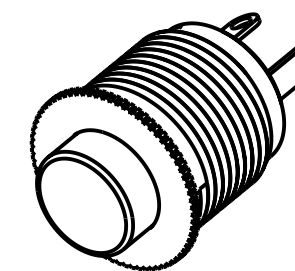
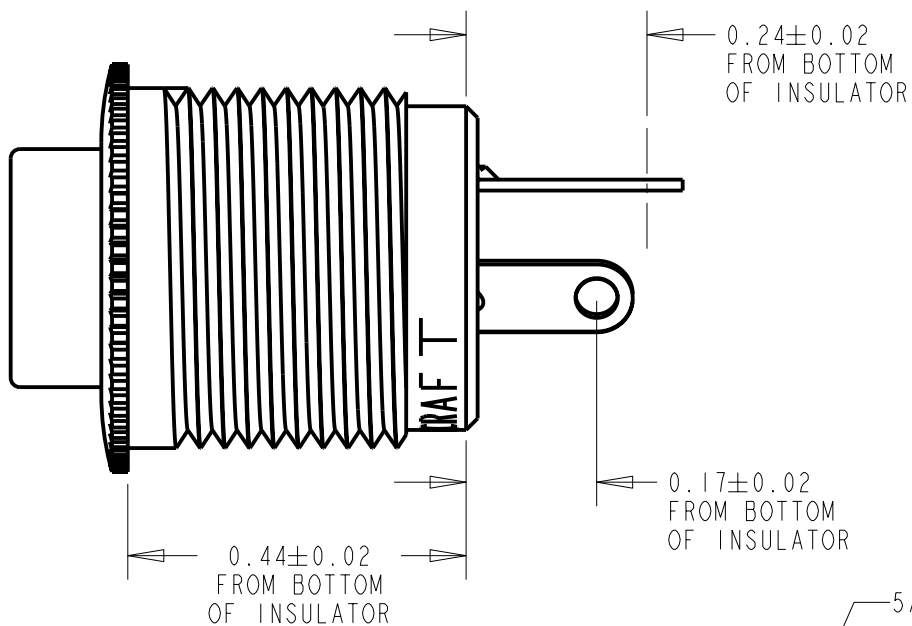
PART NUMBER	PART REV.	BUTTON COLOR	SCHEMATIC
903X	A	RED	I-C
903DX	A	RED	I-D
913X	A	BLACK	I-C
913DX	A	BLACK	I-D

**NOTES:**

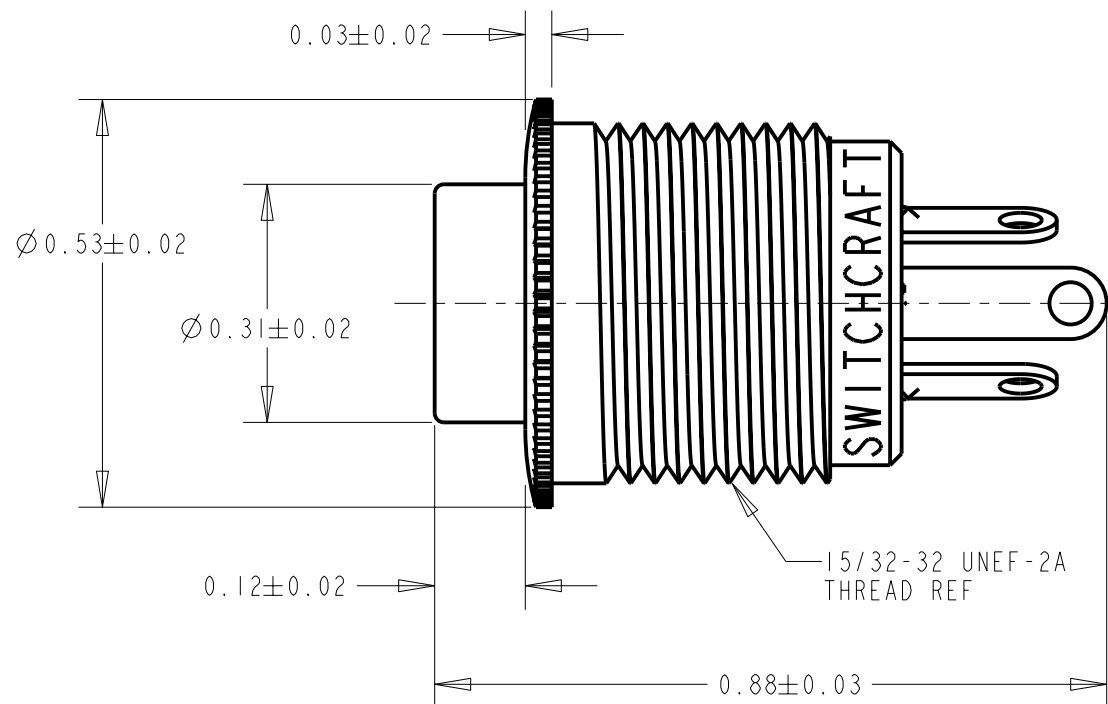
1. WHITE DOT DESIGNATES "I-D SCHEMATIC".
2. HEX NUT AND LOCKWASHER ARE SHIPPED UNASSEMBLED.
3. ALL DIMENSIONS ARE REFERENCE.
4. THESE PRODUCTS ARE RoHS COMPLIANT.

**SPECIFICATIONS:**

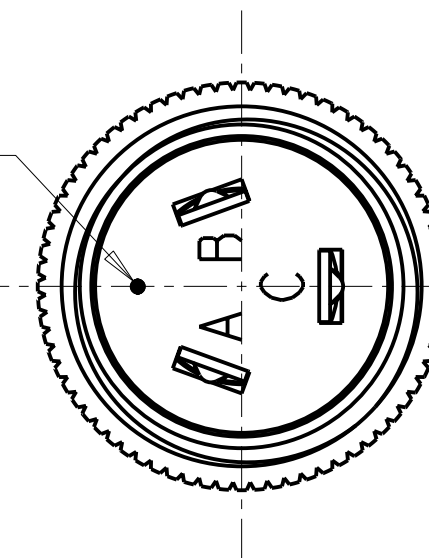
1. PUSHBUTTON - PLASTIC, SEE TABLE FOR COLOR
2. HOUSING - BRASS, NICKEL PLATED
3. TERMINALS - BRASS, SILVER PLATED
4. CONTACTORS - BRASS, SILVER PLATED
5. INSULATORS - PHENOLIC
6. SPRING - SILVER PLATED
7. HEX NUT - BRASS, NICKEL PLATED
8. WASHER - STEEL, NICKEL PLATED



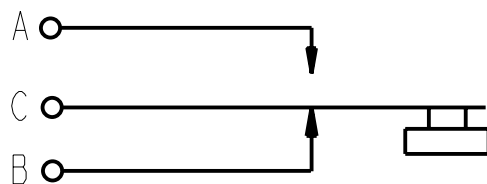
SCALE 2:1



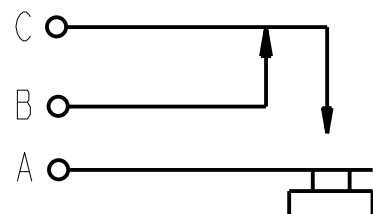
WHITE DOT  
SEE NOTE 1



CUSTOMER DRAWING



903X & 913X  
SCHEMATIC  
I-C



903DX & 913DX  
SCHEMATIC  
I-D

REV	ECO NUMBER	DATE	BY	APVD
A	ECO #25286	1-18-07	TJK	TJK
REVISIONS				

★ STAR SYMBOL DENOTES CRITICAL DIMENSION

UNLESS OTHERWISE SPECIFIED

1. ALL DIMENSIONS IN INCHES  
- TWO PLACE DECIMALS ±0.01  
- THREE PLACE DECIMALS ±0.005  
- ANGLES ±1°  
- ALL DIA. CONCENTRIC WITHIN 0.005 T.I.R.
2. FEATURES ON THE SAME CENTERLINE MUST BE ALIGNED WITHIN ±0.002
3. REMOVE ALL BURRS

DO NOT SCALE DRAWING

THIS DRAWING DESCRIBES A DESIGN CONSIDERED PROPRIETARY IN NATURE, DEVELOPED AND MANUFACTURED BY SWITCHCRAFT INC. AND IS RELEASED ON A CONFIDENTIAL BASIS FOR IDENTIFICATION PURPOSES ONLY.

SIZE	WIDTH	MULT	LBS/M	TEMPER
FINISH				
SPEC No.			MATERIAL	
FIRST USED ON			SCALE	
DATE DRAWN			4:1	
18-Jan-07	BY TJK	CHKD TJK	APVD TJK	
NAME			PART No. 903X & 913X	
BUTTON SWITCH, RoHS			903DX & 913DX	
			REV A	

**Switchcraft**

SHEET 1 OF 1

## X-ON Electronics

Largest Supplier of Electrical and Electronic Components

*Click to view similar products for [Pushbutton Switches](#) category:*

*Click to view products by [Switchcraft](#) manufacturer:*

Other Similar products are found below :

[8940K2012](#) [LW1L-M1C10V-A](#) [LW1L-M1C70-A](#) [LW2L-A1C20M-GD](#) [LW2L-M1C20M-A](#) [60324L](#) [M22-D-R-GB0/K11](#) [M7E-HRN2](#)  
[67021K512](#) [67081K512X](#) [701PB580](#) [7199K101](#) [810K12910](#) [810KSV30B](#) [MML21EA2ADK](#) [MML21KA3ABK](#) [MML23KA3AC05K-001](#)  
[MML23KW3AA01W](#) [8418K2](#) [8442K3](#) [8450K1](#) [860K11911T01A](#) [861901](#) [861K11911T01A07](#) [861K13810T00A14](#) [861K13911](#)  
[8646AB6X718UL](#) [8646ABUL](#) [9001KXRK](#) [907AYY100](#) [PMHD155A1](#) [9533CD4+U574+U4922](#) [95-414.000](#) [99-450.837](#) [99-453.837](#)  
[PV3H2B0NN-341](#) [1203MRA](#) [A22NZBGANGA](#) [A22NZBNANGA](#) [A22NZMPATRA](#) [A2PMA1X03EC56](#) [A3A-5123-02](#) [A3A-7140](#) [A3A-7310](#) [A3A-7340](#) [A3U-TMW-A2C-5M](#) [A595](#) [12037A2ULCSA](#) [ABD122N-B](#) [1211390004](#)