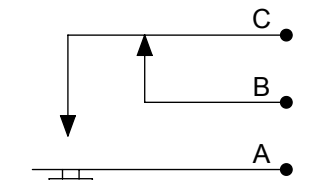
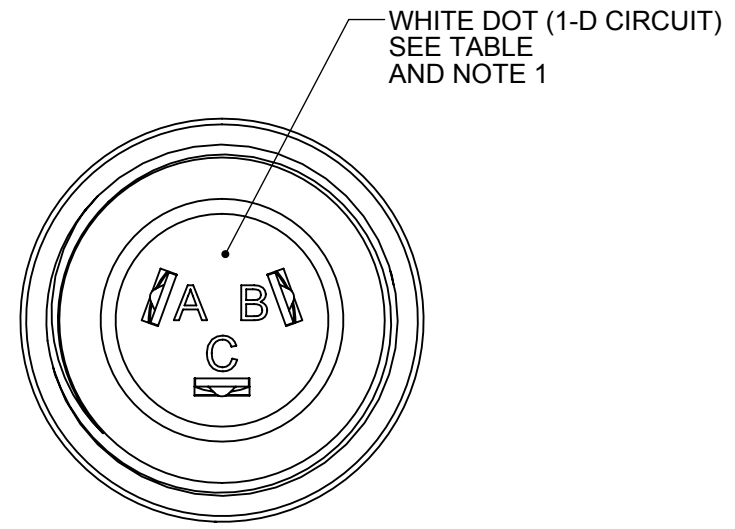
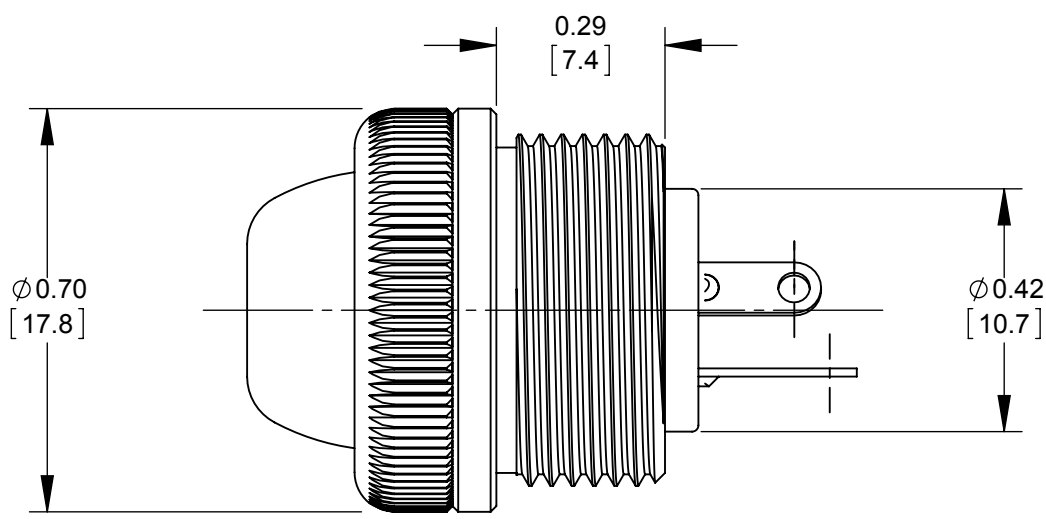
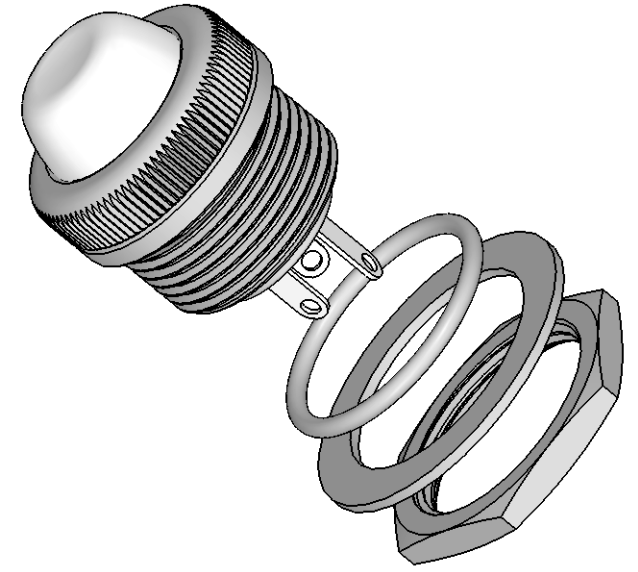


**913S**  
SCHEMATIC  
1C - CIRCUIT



**913DS**  
SCHEMATIC  
1D - CIRCUIT



| PART NUMBER | CIRCUIT | MARKING ON BACK OF SWITCH |
|-------------|---------|---------------------------|
| 913S        | 1-C     | NONE                      |
| 913DS       | 1-D     | WHITE DOT                 |

**NOTES:**

1. WHITE DOT ON BACK OF SWITCH DENOTES "1-D" CIRCUIT - 913DS SWITCH.
2. MAX PANEL THICKNESS: 0.120 [3.5]
3. MATERIALS:  
HOUSING - BRASS, NICKEL PLATED  
TERMINALS - BRASS, SILVER PLATED  
INSULATORS - PHENOLIC  
BUTTON - THERMOPLASTIC, BLACK  
BUTTON BOOT - THERMOPLASTIC RUBBER, BLACK  
O-RING - THERMOPLASTIC RUBBER, BLACK  
FLAT WASHER - STEEL, NICKEL PLATED  
HEX NUT - BRASS, NICKEL PLATED
4. O-RING AND HARDWARE ARE SHIPPED UNASSEMBLED.
5. THIS PART IS RoHS COMPLIANT

**CUSTOMER DRAWING**

|  |  |  |  |  |  |  |  |  |  |  |  |       |  |            |  |       |  |        |  |
|--|--|--|--|--|--|--|--|--|--|--|--|-------|--|------------|--|-------|--|--------|--|
|  |  |  |  |  | UNLESS OTHERWISE SPECIFIED   |  |  |  |  | THIS DRAWING DESCRIBES A DESIGN CONSIDERED PROPRIETARY IN NATURE, DEVELOPED AND MANUFACTURED BY SWITCHCRAFT INC. AND IS RELEASED ON A CONFIDENTIAL BASIS FOR IDENTIFICATION PURPOSES ONLY. |  |       |  |            |  |       |  |        |  |
|  |  |  |  |  | 1. ALL DIMENSIONS IN INCHES [mm]<br>- TWO PLACE DECIMALS ±0.02 [0.5]<br>- THREE PLACE DECIMALS ±0.005 [0.13] |  |  |  |  | SIZE   |  | WIDTH |  | MULT       |  | LBS/M |  | TEMPER |  |
|  |  |  |  |  |  |  |  |  |  | FINISH   |  |       |  | MATERIAL   |  |       |  |        |  |
|  |  |  |  |  |  |  |  |  |  | SPEC No.   |  |       |  | SPEC No.   |  |       |  |        |  |
|  |  |  |  |  |  |  |  |  |  | FIRST USED ON  |  |       |  | SCALE      |  |       |  |        |  |
|  |  |  |  |  |  |  |  |  |  | DATE DRAWN   |  |       |  | BY         |  |       |  |        |  |
|  |  |  |  |  |  |  |  |  |  | 12/21/11   |  |       |  | TS         |  |       |  |        |  |
|  |  |  |  |  |  |  |  |  |  | CHKD   |  |       |  | APVD       |  |       |  |        |  |
|  |  |  |  |  |  |  |  |  |  | TS   |  |       |  | TJK        |  |       |  |        |  |
|  |  |  |  |  |  |  |  |  |  | 12/21/11   |  |       |  | 5/9/16     |  |       |  |        |  |
|  |  |  |  |  |  |  |  |  |  | NAME   |  |       |  | PART No.   |  |       |  |        |  |
|  |  |  |  |  |  |  |  |  |  | SEALED BUTTON SWITCH, RoHS   |  |       |  | 913S_913DS |  |       |  |        |  |
|  |  |  |  |  |  |  |  |  |  |  |  |       |  | REV        |  |       |  |        |  |
|  |  |  |  |  |  |  |  |  |  |  |  |       |  | A          |  |       |  |        |  |

| REV | ECO NUMBER | DATE    | BY | APVD |
|-----|------------|---------|----|------|
| A   | 27704      | 5-19-16 | TO | TJK  |

**DO NOT SCALE DRAWING**

**SolidWorks CAD File**

## X-ON Electronics

Largest Supplier of Electrical and Electronic Components

*Click to view similar products for [Pushbutton Switches](#) category:*

*Click to view products by [Switchcraft](#) manufacturer:*

Other Similar products are found below :

[8940K2012](#) [LW1L-M1C10V-A](#) [LW1L-M1C70-A](#) [LW2L-A1C20M-GD](#) [LW2L-M1C20M-A](#) [60324L](#) [M22-D-R-GB0/K11](#) [M7E-HRN2](#)  
[67021K512](#) [67081K512X](#) [701PB580](#) [7199K101](#) [810K12910](#) [810KSV30B](#) [MML21EA2ADK](#) [MML21KA3ABK](#) [MML23KA3AC05K-001](#)  
[MML23KW3AA01W](#) [8418K2](#) [8442K2](#) [8442K3](#) [8450K1](#) [860K11911T01A](#) [861901](#) [861K11911T01A07](#) [861K13810T00A14](#) [861K13911](#)  
[8646AB6X718UL](#) [8646ABUL](#) [9001KXRK](#) [907AYY100](#) [PMHD155A1](#) [9533CD4+U574+U4922](#) [95-414.000](#) [99-450.837](#) [99-453.837](#)  
[PV3H2B0NN-341](#) [1203MRA](#) [A22NZBGANGA](#) [A22NZBNANGA](#) [A22NZMPATRA](#) [A2PMA1X03EC56](#) [A3A-5123-02](#) [A3A-7140](#) [A3A-7310](#) [A3A-7340](#) [A3U-TMW-A2C-5M](#) [A595](#) [12037A2ULCSA](#) [ABD122N-B](#)