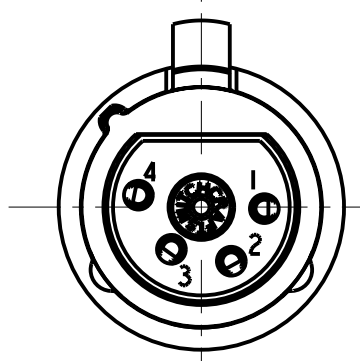
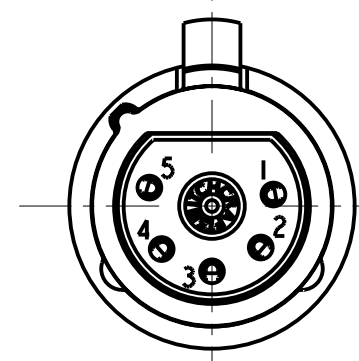


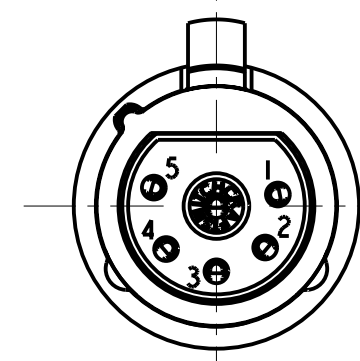
3 PIN



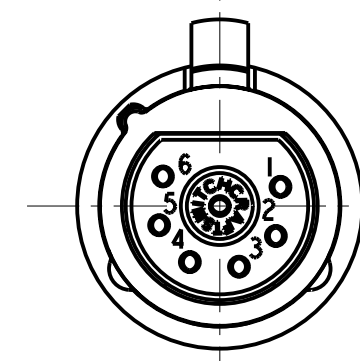
4 PIN



5 PIN



6 PIN



7 PIN

STANDARD SERIES

- INSERT SCREW - STAINLESS STEEL
- FLEX SCREW - STEEL, NICKEL PLATED
- HOUSING - ZINC, NICKEL PLATED
- SHELL - STAINLESS STEEL
- LATCH BUTTON - ZINC, NICKEL PLATED
- LATCH SPRING - STAINLESS STEEL
- CONTACTOR - BERYLLIUM COPPER, NICKEL PLATE
- TUBULAR INSULATOR - MYLAR
- SOLDER TERMINAL - BRASS, ELECTRO TIN
- FLEX RELIEF - HI-FAX, BLACK - STANDARD (X)
- CLAMP PLATE - STAINLESS STEEL
- INSULATORS - POLYESTER, GREEN
- CONTACTS - BRASS, SILVER PLATED

- A F
- COLOR OF FLEX RELIEF
 - 01 = BROWN
 - 02 = RED
 - 03 = ORANGE
 - 04 = YELLOW
 - 05 = GREEN
 - 06 = BLUE
 - 07 = VIOLET
 - 08 = GRAY
 - 09 = WHITE
 - 11 = TAN
 - 12 = PINK
 - 13 = DARK BLUE
- CONTACT PLATING
 - BLANK = SILVER (STANDARD)
 - AU = GOLD
- HOUSING FINISH (SEE NOTE 2)
 - BLANK = NICKEL PLATE (STANDARD)
 - BX = BLACK, RoHS
- LATCH TYPE
 - BLANK = STANDARD LATCHLOCK
 - D = FAS-DIS-CONNECT DETENT (SEE FIGURE 3)
- FLEX RELIEF SIZE
 - BLANK = STANDARD SIZE (0.210 TO 0.300)
 - L = LARGE CABLES (0.300 TO .0328)
 - S = SMALL CABLES (0.105 TO 0.205)
- NO. OF CONTACTS:
 - 3 = 3 CONTACTS
 - 4 = 4 CONTACTS
 - 5 = 5 CONTACTS
 - 6 = 6 CONTACTS
 - 7 = 7 CONTACTS

PROFESSIONAL SERIES

- SAME AS ABOVE EXCEPT
- CONTACT PIN - PHOSPHOR BRONZE, GOLD OVER NICKEL
- HOUSING - NON REFLECTIVE VEL-TONE FINISH
- FLEX RELIEF - GRAY
- OGP .22
- NO. OF CONTACTS:
 - 3 = 3 CONTACTS

- NOTE:
1. ALL DIMENSIONS REF. UNLESS OTHERWISE SPECIFIED.
 - (X) 2. BLACK HOUSING AND INSERT WITH SATIN NICKEL PLATED LATCH.
 - (X) 3. THIS PRODUCT IS RoHS COMPLIANT.

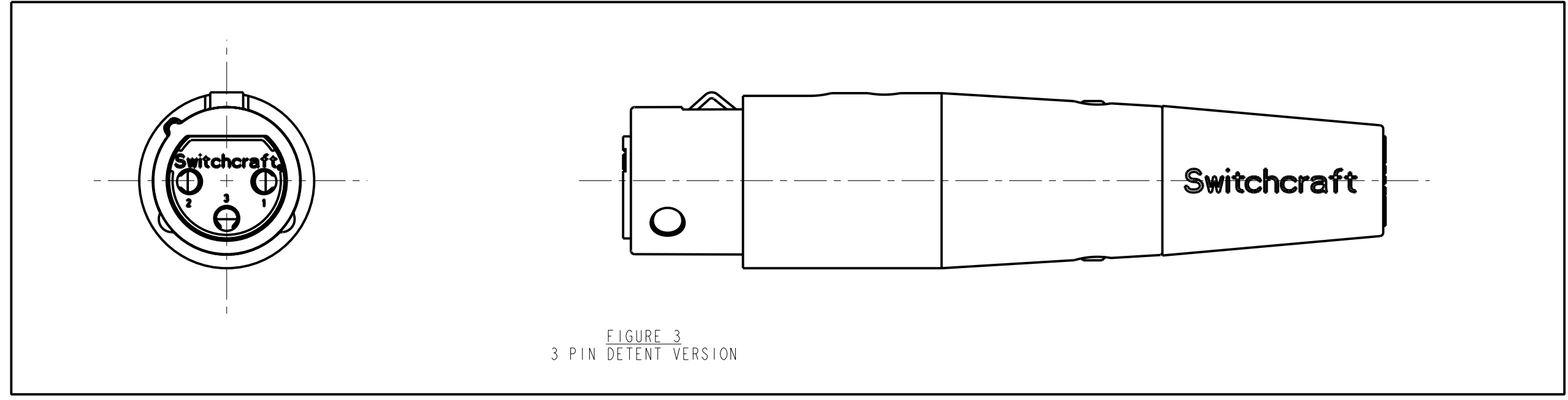
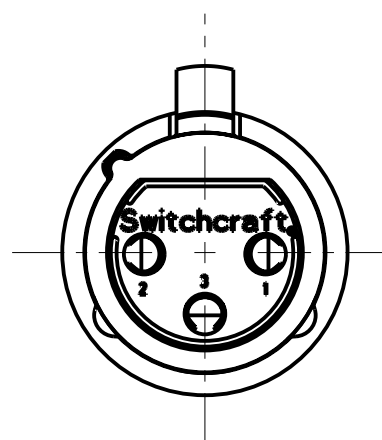
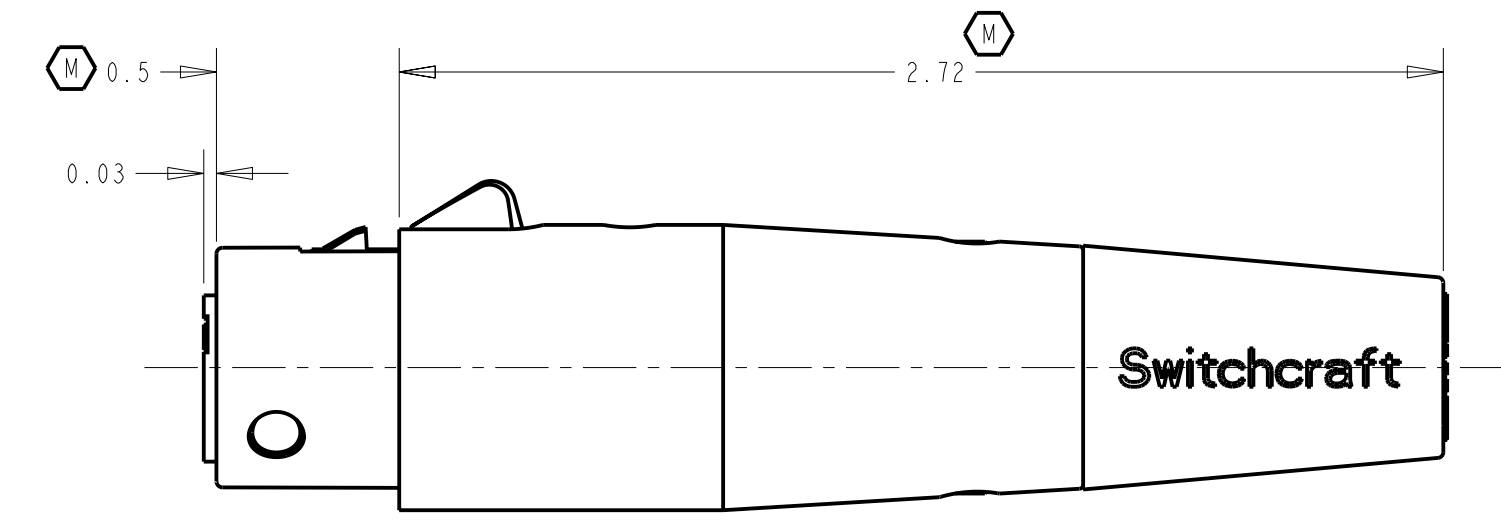
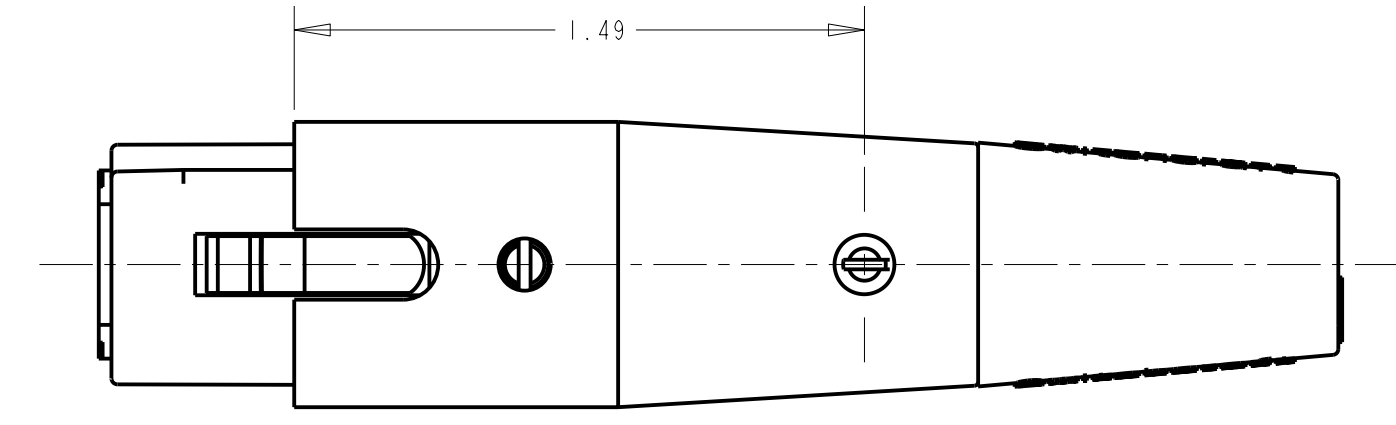


FIGURE 3
3 PIN DETENT VERSION



CUSTOMER DRAWING

				★ STAR SYMBOL DENOTES CRITICAL DIMENSION				THIS DRAWING DESCRIBES A DESIGN CONSIDERED PROPRIETARY IN NATURE, DEVELOPED AND MANUFACTURED BY SWITCHCRAFT INC. AND IS RELEASED ON A CONFIDENTIAL BASIS FOR IDENTIFICATION PURPOSES ONLY.															
				UNLESS OTHERWISE SPECIFIED				SIZE		WIDTH		MULT		LBS/M		TEMPER							
				1. ALL DIMENSIONS IN INCHES - TWO PLACE DECIMALS ±0.01 - THREE PLACE DECIMALS ±0.005 - ANGLES ±1° - ALL DIA. CONCENTRIC WITHIN 0.005 T.I.R.				FINISH		MATERIAL		SPEC No.		SPEC No.									
				2. FEATURES ON THE SAME CENTERLINE MUST BE ALIGNED WITHIN ±0.002				FIRST USED ON		SCALE		2:1		Switchcraft®									
				3. REMOVE ALL BURRS				DATE DRAWN		BY		CHKD		APVD		SHEET OF							
				DO NOT SCALE DRAWING				10-26-93		SG		1-19-95		1-19-95		REV							
REV				ECO NUMBER				DATE				BY				APVD							
REVISIONS																							
												NAME				PART No.							
																"A" SERIES FEMALE OGP, RoHS				A_F_SERIES			

X-ON Electronics

Largest Supplier of Electrical and Electronic Components

Click to view similar products for [Switchcraft](#) manufacturer:

Other Similar products are found below :

[8382-2PG-3DC](#) [585](#) [6006L](#) [60324L](#) [60KD4M](#) [M444B](#) [MMVP48K175T](#) [MMVP96K3NNT](#) [913DS](#) [12010X](#) [1200](#) [12011](#) [QGPK1CAT5E](#)
[AAA5FBAUZ](#) [12JL6M](#) [D6MBAU](#) [13033T](#) [13282-18SG-331](#) [13382-10PG-321](#) [DS317](#) [E3FAUQG](#) [E3FDAU](#) [E3FDB](#) [E3FDRAAU](#)
[E3FDRAB](#) [E3FDSTAU](#) [E3FDSTBAU](#) [E3FRAAUQG](#) [E3FSTB](#) [E3FSTBAU](#) [E3MAU](#) [E3MAUQG](#) [EHFW800X2PKG](#) [160](#) [EMHB](#)
[MT334B](#) [MT48FNX](#) [EN3C11F26](#) [EN3P3FP](#) [MVP32K1NTX](#) [175](#) [18QA18](#) [18QF18](#) [18QK18](#) [20QD20N4](#) [20QF20](#) [20QF20N2](#) [20QF20N6](#)
[P10834](#) [P2724](#)