

3 PIN

4 PIN

5 PIN

6 PIN

7 PIN

CONTACTS AS VIEWED FACING FEMALE CONECTOR

AAA F Z

SERIES: _____
Q-G° CONNECTOR

OF CONTACT SOCKETS: _____
3, 4, 5, 6 OR 7

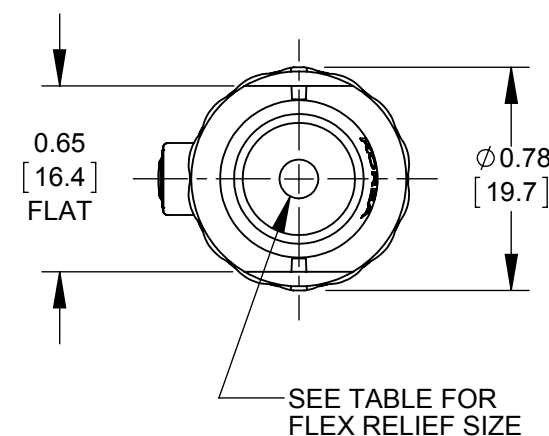
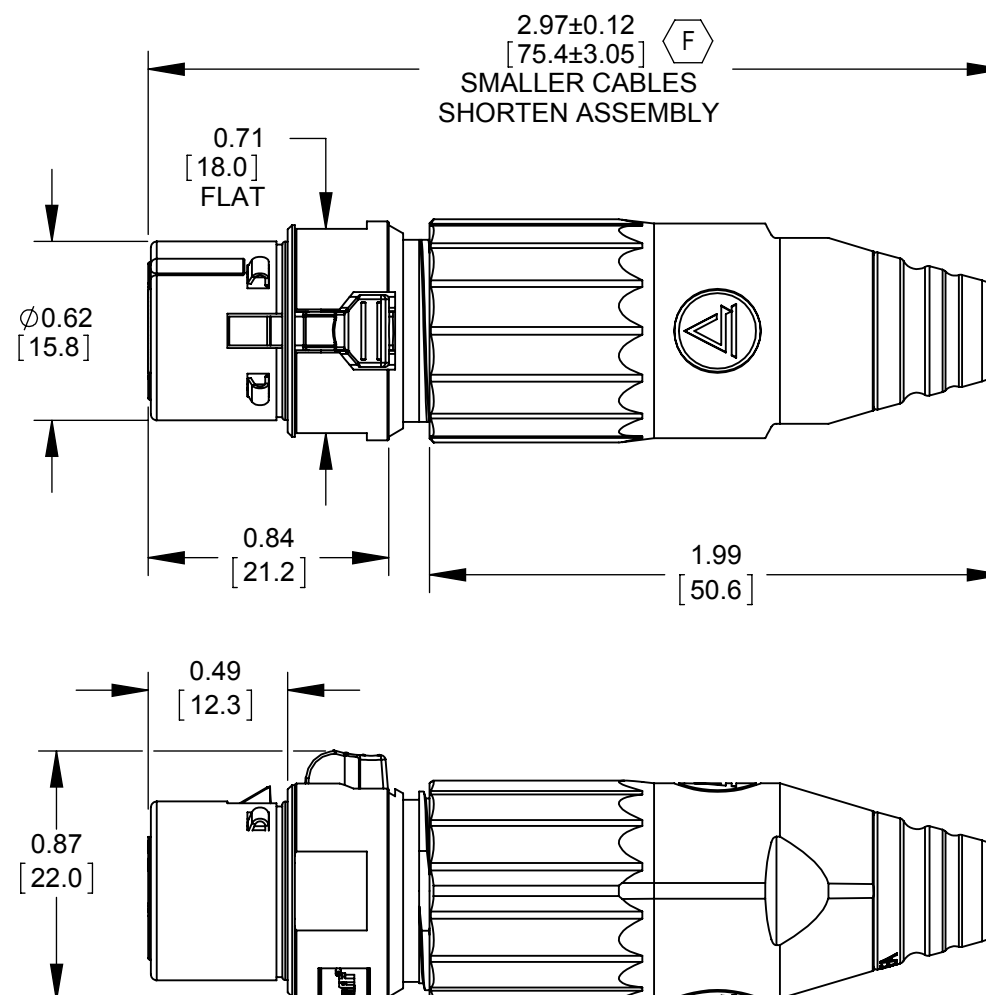
GENDER: _____
FEMALE

HANDLE STYLE: _____
BLANK - METAL HANDLE (SEE FINISH BELOW)
P - PLASTIC HANDLE, BLACK

FINISH: _____
BLANK - NICKEL HANDLE & CONNECTOR,
 WITH BLACK FLEX RELIEF & GREEN INSERT
B - BLACK HANDLE & CONNECTOR,
 WITH BLACK FLEX RELIEF & BLACK INSERT
W - WHITE HANDLE & NICKEL FINISH CONNECTOR
 WITH WHITE FLEX RELIEF & GREEN INSERT (G)

CONTACT SOCKET PLATING: _____
BLANK - SILVER
AU - GOLD

FLEX RELIEF STYLE: _____
BLANK - FLEX RELIEF I.D. 0.135 [3.4mm]
 RECOMMENDED CABLE O.D. 0.100 - 0.220 [2.5mm - 5.6mm]
L - FLEX RELIEF I.D. 0.225 [5.7mm]
 RECOMMENDED CABLE O.D. 0.220 - 0.285 [5.6mm - 7.2mm] (F)



CUSTOMER DRAWING

NOTES:

- CONNECTORS AND HANDLES ARE SHIPPED SIDE BY SIDE OR IN BULK.
- MATERIALS:
 (F) HANDLE METAL - ZINC ALLOY, NICKEL PLATED OR BLACK OR WHITE PAINTED
 HANDLE PLASTIC - THERMOPLASTIC, BLACK
 CABLE CLAMP - THERMOPLASTIC, BLACK
 FLEX RELIEF - THERMOPLASTIC, BLACK OR WHITE
 HOUSING AND LATCH - ZINC ALLOY, NICKEL OR BLACK SATIN CHROME PLATED
 INSULATOR - THERMOPLASTIC, GREEN OR BLACK
 GROUND TERMINAL - SPECIAL COPPER ALLOY, TIN PLATED
 CONTACT SOCKETS - SPECIAL COPPER ALLOY, SILVER OR GOLD PLATED
 O-RING - THERMOPLASTIC RUBBER, BLACK
- THESE PRODUCTS ARE RoHS COMPLIANT.

G	27473	03/27/15	PC	TJK
F	27081	01/25/13	BL	TJK
E	25891	9-9-08	SRC	TJK
D	25711	10-17-07	JGK	TJK
C	24940	3-11-05	JL	TJK
B	24552	10-13-03	JL	BRH
A	24446	8-12-03	JL	BRH
REV	ECO NUMBER	DATE	BY	APVD
REVISIONS				

☆ STAR SYMBOL DENOTES CRITICAL DIMENSION

UNLESS OTHERWISE SPECIFIED

- ALL DIMENSIONS IN INCHES
 - TWO PLACE DECIMALS ±0.01
 - THREE PLACE DECIMALS ±0.005
 - ANGLES ±1°
 - ALL DIA. CONCENTRIC WITHIN 0.005 T.I.R.
- FEATURES ON THE SAME CENTERLINE MUST BE ALIGNED WITHIN ±0.002
- REMOVE ALL BURRS

DO NOT SCALE DRAWING

THIS DRAWING DESCRIBES A DESIGN CONSIDERED PROPRIETARY IN NATURE, DEVELOPED AND MANUFACTURED BY SWITCHCRAFT INC. AND IS RELEASED ON A CONFIDENTIAL BASIS FOR IDENTIFICATION PURPOSES ONLY.									
SIZE		WIDTH		MULT		LBS/M		TEMPER	
FINISH				MATERIAL					
SPEC No.				SPEC No.					
FIRST USED ON				SCALE 1.5:1					
DATE DRAWN	BY	CHKD	APVD	Switchcraft®					
03-07-03	BRH	BRH	BRH						
NAME				PART No.		REV			
FEMALE XLR CONNECTOR, RoHS				AAA_FZ SERIES		G			

X-ON Electronics

Largest Supplier of Electrical and Electronic Components

Click to view similar products for [XLR Connectors](#) category:

Click to view products by [SWITCHCRAFT](#) manufacturer:

Other Similar products are found below :

[707-0300](#) [A3F01](#) [A3M01](#) [QGP3F](#) [HA16PRM-3SG\(71\)](#) [AA3FL](#) [AAA4FWZ](#) [AAA4MWZ](#) [AC5FPZB](#) [AC6AFDZV](#) [D4FB](#) [DE4MW](#)
[E3MBAUSW](#) [99.265.0400.0](#) [A3F04](#) [AC3FG](#) [AC4-FCP](#) [AQG4F](#) [2504FP](#) [R6MZ](#) [3FD-V-I-B](#) [3MD-V-I-B](#) [TA01](#) [TA3MWX](#) [TA5MLWX](#)
[TRASM4M1X](#) [TRASM7M1X](#) [ML1](#) [TS05TS](#) [3FD-L-I-\(O\)](#) [D6FDB](#) [DB25FTRS](#) [DHNF-BAG-MAD](#) [DHNF-BAG-O](#) [DHNM-BAG](#)
[XLR05TRS](#) [XLRM05XLR](#) [XLRM05XLRFB](#) [XLRM10XLR](#) [E3FBAUSW](#) [E3FSW](#) [E3MSW](#) [SR03](#) [TA4FLWX](#) [TA6FLWX](#)
[TRAPC8M1X](#) [TRASM6M1X](#) [TRS10TRS](#) [TRSF05XLRM](#) [TRSF10XLRM](#)