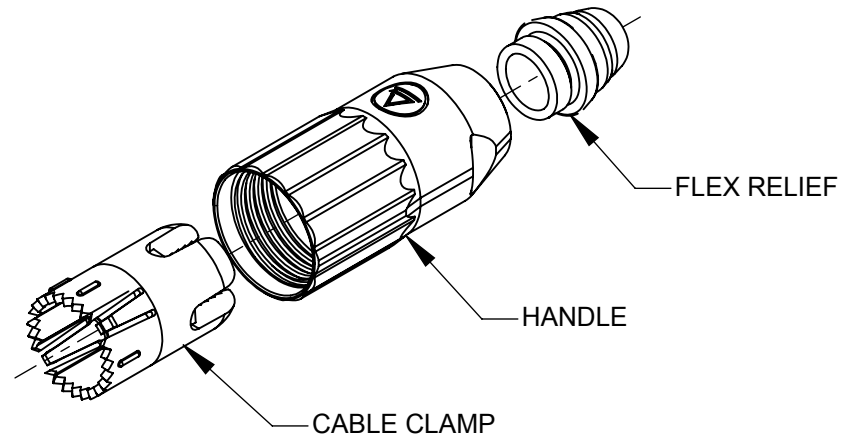


AAA H **Z**
 SERIES: _____
 AAA HANDLE

 HANDLE STYLE: _____
 BLANK - METAL, NICKEL PLATE
 WITH BLACK FLEX RELIEF
 B - METAL, BLACK FINISH
 WITH BLACK FLEX RELIEF
 P - PLASTIC, BLACK
 WITH BLACK FLEX RELIEF
 W - METAL, WHITE FINISH
 WITH WHITE FLEX RELIEF E

 FLEX RELIEF STYLE: _____
 BLANK - FLEX RELIEF I.D. 0.135 [3.4mm]
 RECOMMENDED CABLE O.D. 0.100 - 0.220 [2.5mm - 5.6mm]
 L - FLEX RELIEF I.D. 0.225 [5.7mm]
 RECOMMENDED CABLE O.D. 0.220 - 0.285 [5.6mm - 7.2mm] D

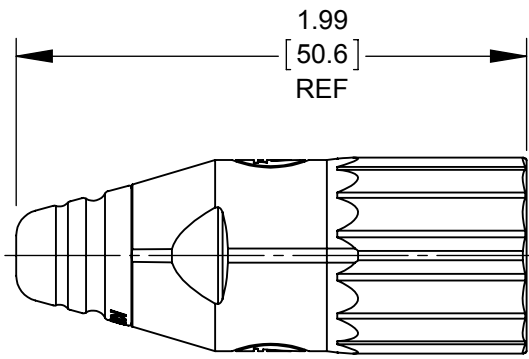
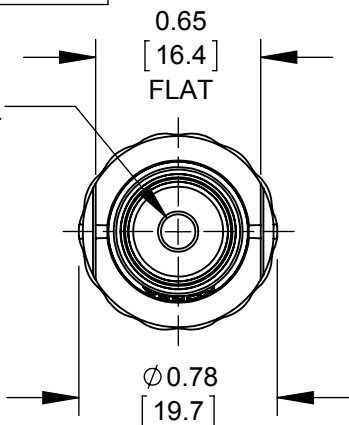


NOTES:

1. COMPONENTS ARE SHIPPED ASSEMBLED.
2. MATERIALS:
 HANDLE METAL - ZINC ALLOY, NICKEL PLATED OR BLACK OR WHITE PAINTED
 HANDLE PLASTIC - THERMOPLASTIC, BLACK
 CABLE CLAMP - THERMOPLASTIC, BLACK
 FLEX RELIEF - THERMOPLASTIC, BLACK OR WHITE
3. THIS PRODUCT IS RoHS COMPLIANT.



FLEX RELIEF HOLE I.D. SEE CHART



CUSTOMER DRAWING

★ STAR SYMBOL DENOTES CRITICAL DIMENSION					THIS DRAWING DESCRIBES A DESIGN CONSIDERED PROPRIETARY IN NATURE, DEVELOPED AND MANUFACTURED BY SWITCHCRAFT INC. AND IS RELEASED ON A CONFIDENTIAL BASIS FOR IDENTIFICATION PURPOSES ONLY.				
UNLESS OTHERWISE SPECIFIED					SIZE	WIDTH	MULT	LBS/M	TEMPER
E	27473	03/27/15	PC	TJK	FINISH			MATERIAL	
D	27081	01/25/13	BL	TJK	SPEC No.			SPEC No.	
C	25711	10-17-07	JGK	TJK	FIRST USED ON AAA3MZ			SCALE 1:0.75	
B	24588	11-13-03	JL	BRH	DATE DRAWN 03-06-03	BY BRH	CHKD BRH 8-11-03	APVD BRH 8-11-03	Switchcraft [®]
A	24446	8-11-03	JL	BRH					
REV	ECO NUMBER	DATE	BY	APVD	NAME AAA UNIVERSAL HANDLE			PART No. AAAHZ_SERIES	REV E
REVISIONS					DO NOT SCALE DRAWING				

1. ALL DIMENSIONS IN INCHES
 - TWO PLACE DECIMALS ±0.01
 - THREE PLACE DECIMALS ±0.005
 - ANGLES ±1°
 - ALL DIA. CONCENTRIC WITHIN 0.005 T.I.R.
2. FEATURES ON THE SAME CENTERLINE MUST BE ALIGNED WITHIN ±0.002
3. REMOVE ALL BURRS



X-ON Electronics

Largest Supplier of Electrical and Electronic Components

Click to view similar products for [XLR Connectors](#) category:

Click to view products by [SWITCHCRAFT](#) manufacturer:

Other Similar products are found below :

[707-0300](#) [A3F01](#) [A3M01](#) [QGP3F](#) [HA16PRM-3SG\(71\)](#) [AA3FL](#) [AAA4FWZ](#) [AAA4MWZ](#) [AC5FPZB](#) [AC6AFDZV](#) [D4FB](#) [DE4MW](#)
[E3MBAUSW](#) [99.265.0400.0](#) [A3F04](#) [AC3FG](#) [AC4-FCP](#) [AQG4F](#) [2504FP](#) [R6MZ](#) [3FD-V-I-B](#) [3MD-V-I-B](#) [TA01](#) [TA3MWX](#) [TA5MLWX](#)
[TRASM4M1X](#) [TRASM7M1X](#) [ML1](#) [TS05TS](#) [3FD-L-I-\(O\)](#) [D6FDB](#) [DB25FTRS](#) [DHNF-BAG-MAD](#) [DHNF-BAG-O](#) [DHNM-BAG](#)
[XLRF05TRS](#) [XLRM05XLRF](#) [XLRM05XLRFB](#) [XLRM10XLRF](#) [E3FBAUSW](#) [E3FSW](#) [E3MSW](#) [SR03](#) [TA4FLWX](#) [TA6FLWX](#)
[TRAPC8M1X](#) [TRASM6M1X](#) [TRS10TRS](#) [TRSF05XLRM](#) [TRSF10XLRM](#)