

3 PIN 4 PIN 5 PIN 6 PIN 7 PIN

CONTACTS AS VIEWED FACING FEMALE CONECTOR

AAA F Z

SERIES: \_\_\_\_\_  
**Q-G° CONNECTOR**

# OF CONTACT SOCKETS: \_\_\_\_\_  
**3, 4, 5, 6 OR 7**

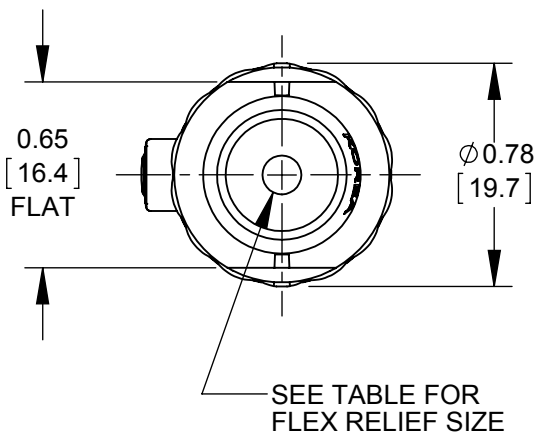
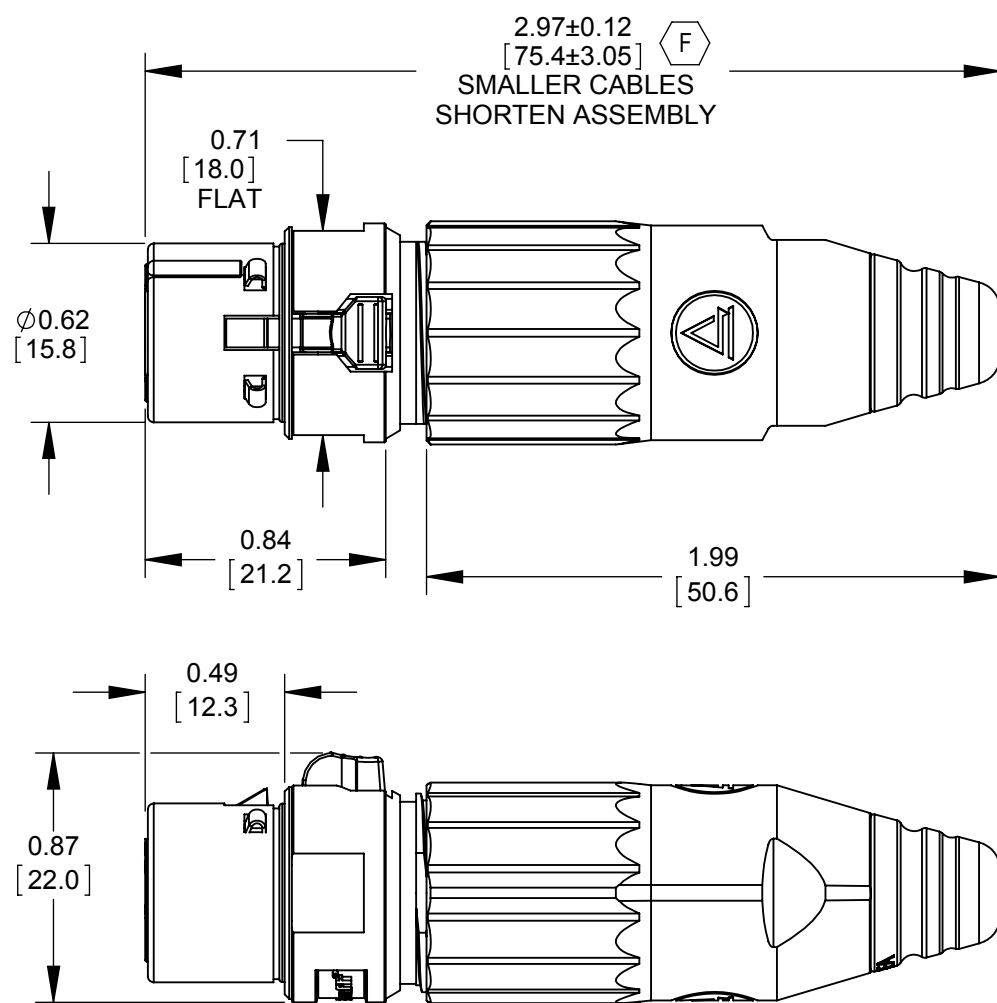
GENDER: \_\_\_\_\_  
**FEMALE**

HANDLE STYLE: \_\_\_\_\_  
**BLANK** - METAL HANDLE (SEE FINISH BELOW)  
**P** - PLASTIC HANDLE, BLACK

FINISH: \_\_\_\_\_  
**BLANK** - NICKEL HANDLE & CONNECTOR, WITH BLACK FLEX RELIEF & GREEN INSERT  
**B** - BLACK HANDLE & CONNECTOR, WITH BLACK FLEX RELIEF & BLACK INSERT  
**W** - WHITE HANDLE & NICKEL FINISH CONNECTOR WITH WHITE FLEX RELIEF & GREEN INSERT (G)

CONTACT SOCKET PLATING: \_\_\_\_\_  
**BLANK** - SILVER  
**AU** - GOLD

FLEX RELIEF STYLE: \_\_\_\_\_  
**BLANK** - FLEX RELIEF I.D. 0.135 [3.4mm]  
 RECOMMENDED CABLE O.D. 0.100 - 0.220 [2.5mm - 5.6mm]  
**L** - FLEX RELIEF I.D. 0.225 [5.7mm]  
 RECOMMENDED CABLE O.D. 0.220 - 0.285 [5.6mm - 7.2mm] (F)



**CUSTOMER DRAWING**

NOTES:

- CONNECTORS AND HANDLES ARE SHIPPED SIDE BY SIDE OR IN BULK.
- MATERIALS:  
 (F) HANDLE METAL - ZINC ALLOY, NICKEL PLATED OR BLACK OR WHITE PAINTED  
 HANDLE PLASTIC - THERMOPLASTIC, BLACK  
 CABLE CLAMP - THERMOPLASTIC, BLACK  
 FLEX RELIEF - THERMOPLASTIC, BLACK OR WHITE  
 HOUSING AND LATCH - ZINC ALLOY, NICKEL OR BLACK SATIN CHROME PLATED  
 INSULATOR - THERMOPLASTIC, GREEN OR BLACK  
 GROUND TERMINAL - SPECIAL COPPER ALLOY, TIN PLATED  
 CONTACT SOCKETS - SPECIAL COPPER ALLOY, SILVER OR GOLD PLATED  
 O-RING - THERMOPLASTIC RUBBER, BLACK
- THESE PRODUCTS ARE RoHS COMPLIANT.

REV	ECO NUMBER	DATE	BY	APVD
G	27473	03/27/15	PC	TJK
F	27081	01/25/13	BL	TJK
E	25891	9-9-08	SRC	TJK
D	25711	10-17-07	JGK	TJK
C	24940	3-11-05	JL	TJK
B	24552	10-13-03	JL	BRH
A	24446	8-12-03	JL	BRH
REVISIONS				

☆ STAR SYMBOL DENOTES CRITICAL DIMENSION

UNLESS OTHERWISE SPECIFIED

- ALL DIMENSIONS IN INCHES  
 - TWO PLACE DECIMALS ±0.01  
 - THREE PLACE DECIMALS ±0.005  
 - ANGLES ±1°  
 - ALL DIA. CONCENTRIC WITHIN 0.005 T.I.R.
- FEATURES ON THE SAME CENTERLINE MUST BE ALIGNED WITHIN ±0.002
- REMOVE ALL BURRS

**DO NOT SCALE DRAWING**

THIS DRAWING DESCRIBES A DESIGN CONSIDERED PROPRIETARY IN NATURE, DEVELOPED AND MANUFACTURED BY SWITCHCRAFT INC. AND IS RELEASED ON A CONFIDENTIAL BASIS FOR IDENTIFICATION PURPOSES ONLY.									
SIZE		WIDTH		MULT		LBS/M		TEMPER	
FINISH				MATERIAL				SPEC No.	
FIRST USED ON				SCALE				1.5:1	
DATE DRAWN	BY	CHKD	APVD	<b>Switchcraft</b> <sup>®</sup>					
03-07-03	BRH	BRH	BRH						
NAME				PART No.		REV			
FEMALE XLR CONNECTOR, RoHS				AAA_FZ SERIES		G			

## X-ON Electronics

Largest Supplier of Electrical and Electronic Components

*Click to view similar products for [XLR Connectors](#) category:*

*Click to view products by [Switchcraft](#) manufacturer:*

Other Similar products are found below :

[AAA4FWZ](#) [AAA4MWZ](#) [AC5FPZB](#) [AC6AFDZV](#) [DE4MW](#) [E3MBAUSW](#) [99.265.0400.0](#) [AC3FG](#) [AC4-FCP](#) [AQG4F](#) [30-498-2](#) [R6MZ](#)  
[3FD-V-I-B](#) [3MD-V-I-B](#) [TA01](#) [TA3MWX](#) [TA5MLWX](#) [TRASM4M1X](#) [TRASM7M1X](#) [ML1](#) [3FD-L-I-\(O\)](#) [D6FDB](#) [DB25FTRS](#) [DHNF-](#)  
[BAG-MAD](#) [DHNF-BAG-O](#) [DHNM-BAG](#) [E3FBAUSW](#) [E3FSW](#) [E3MSW](#) [SR03](#) [TA4FLWX](#) [TA6FLWX](#) [TRAPC8M1X](#) [TRASM6M1X](#)  
[WP2S4P](#) [WP1S1](#) [WP1B2](#) [TA5FLWX](#) [NC3FEZY-P](#) [NC3FG-V](#) [NC6FSD-LX](#) [NC6MSD-LX](#) [NCJ6FK-V](#) [NCXX-PROMO](#) [NA2FPMM/W](#)  
[NC3FD-L](#) [NC3FD-L-0-1](#) [NC3FX-1-D](#) [NC3MX-1-D](#) [NC3MXY-B](#)