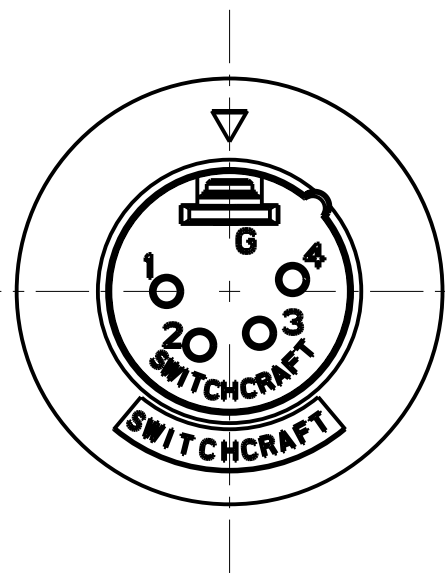
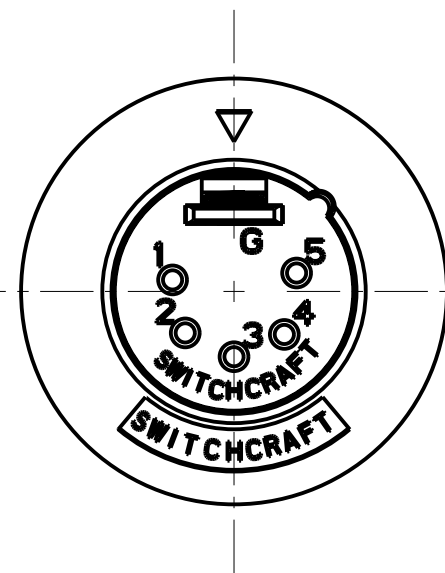


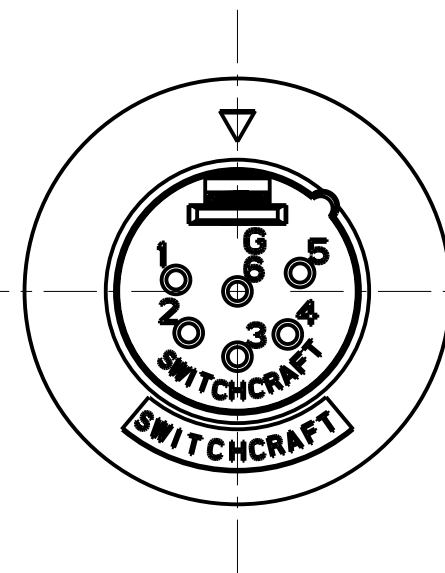
3 PIN



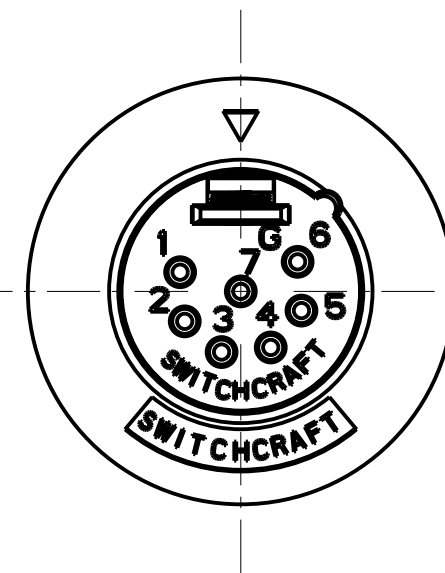
4 PIN



5 PIN

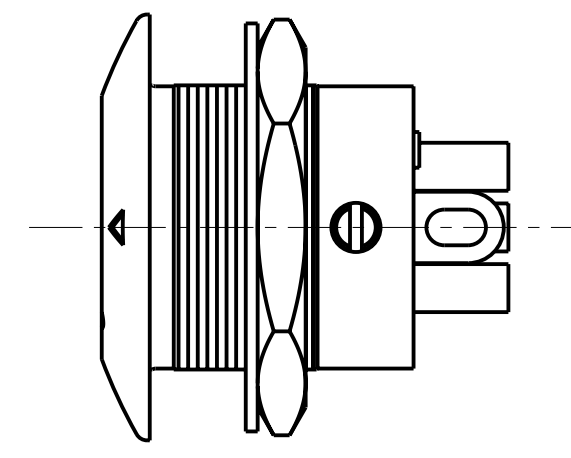


6 PIN



7 PIN

NOTES:
1. ALL DIMENSIONS REF. UNLESS OTHERWISE SPECIFIED.



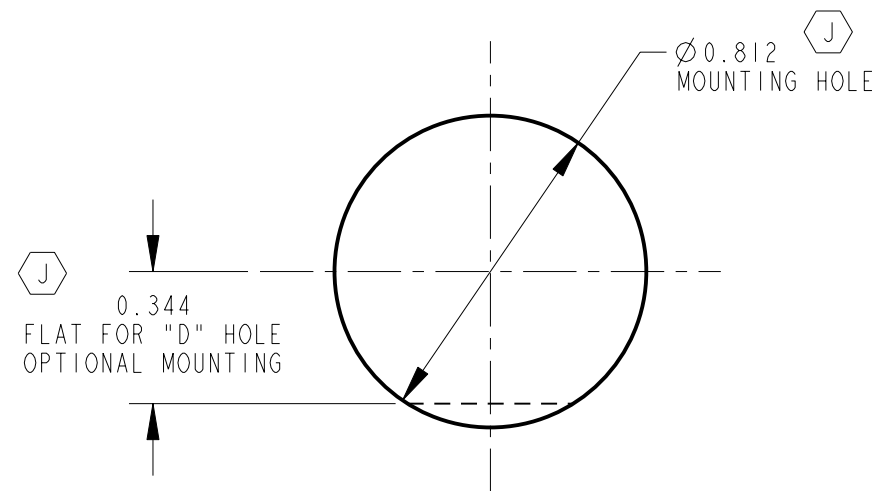
STANDARD SERIES

SCREW - STAINLESS STEEL
 NUT - BRASS, NICKEL PLATED
 HOUSING - ZINC, NICKEL PLATED
 SOLDER TERMINAL - BRASS, ELECTRO TIN
 INSULATOR - POLYESTER, GREEN (UL94V-0)
 CONTACT PIN - BRASS, SILVER PLATED

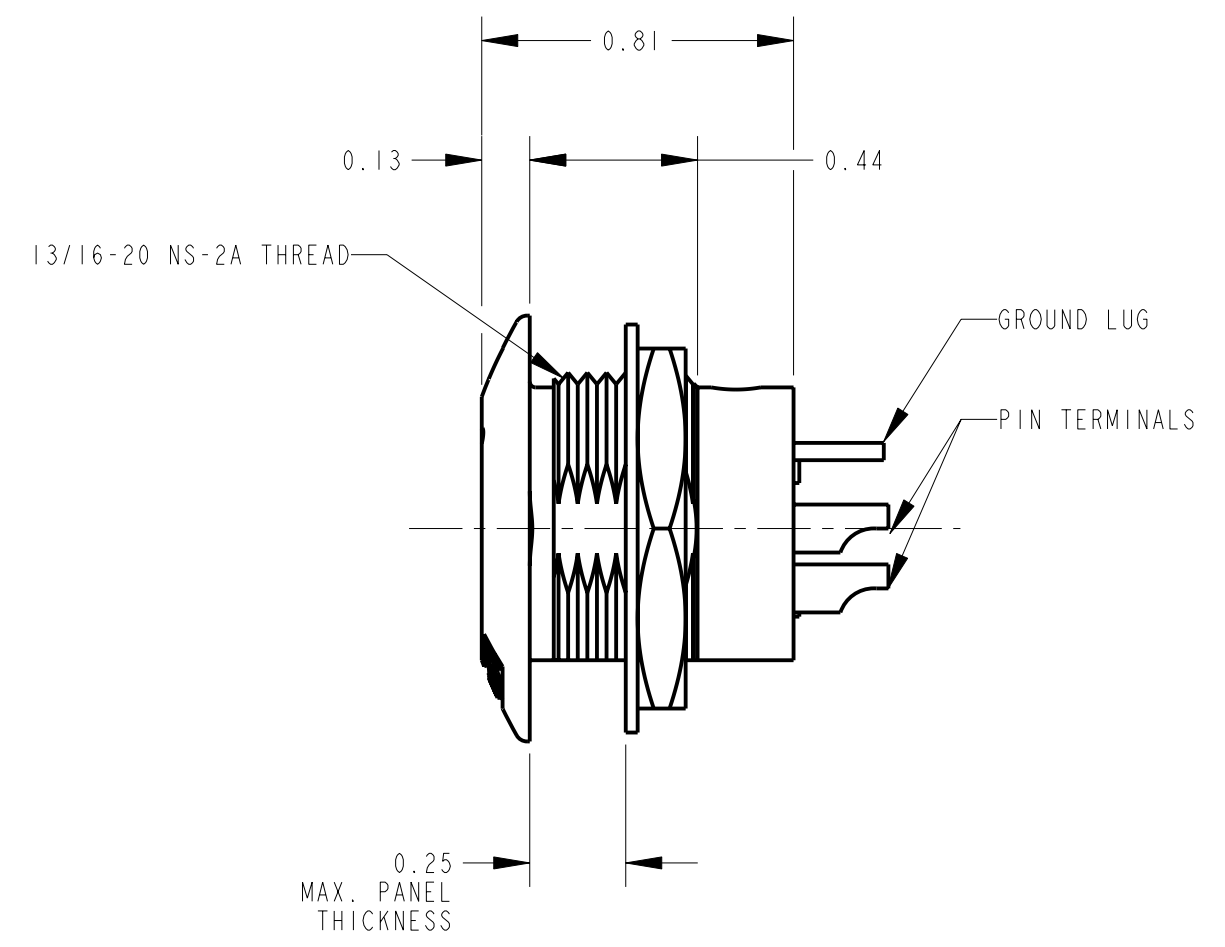
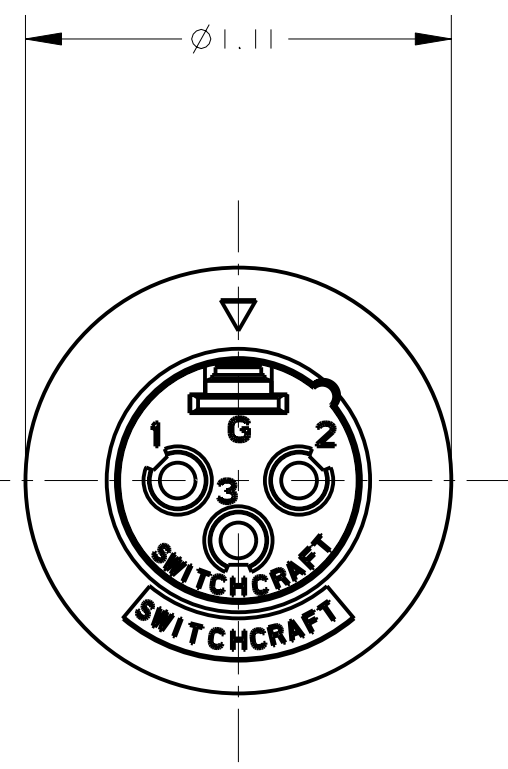
CONTACT PLATING
 BLANK = SILVER (STANDARD)
 AU = GOLD

HOUSING FINISH
 BLANK = NICKEL PLATE (STANDARD)
 B = BLACK

NO. OF CONTACTS:
 3 = 3 CONTACTS
 4 = 4 CONTACTS
 5 = 5 CONTACTS
 6 = 6 CONTACTS
 7 = 7 CONTACTS



RECOMMENDED PANEL CUT-OUT



PROFESSIONAL SERIES

SAME AS ABOVE EXCEPT
 CONTACT PIN - PHOSPHOR BRONZE, GOLD OVER NICKEL

OGP 29

NO. OF CONTACTS:
 3 = 3 CONTACTS
 4 = 4 CONTACTS
 5 = 5 CONTACTS
 6 = 6 CONTACTS
 7 = 7 CONTACTS

CUSTOMER DRAWING

| REV | ECO NUMBER | DATE | BY | APVD |
|-----|------------|----------|-----|------|
| G | 22383 | 9-30-99 | JL | DG |
| F | ECO #21070 | 2-3-97 | MM | RB |
| E | ECO #21035 | 2-3-97 | MM | RB |
| D | 20627 | 1-20-96 | SG | SG |
| J | 26363 | 3-19-09 | TJK | TJK |
| H | 23590 | 12-27-00 | RJ | DK |

★ STAR SYMBOL DENOTES CRITICAL DIMENSION

UNLESS OTHERWISE SPECIFIED

1. ALL DIMENSIONS IN INCHES
 - TWO PLACE DECIMALS ±0.01
 - THREE PLACE DECIMALS ±0.005
 - ANGLES ±1°
 - ALL DIA. CONCENTRIC WITHIN 0.005 T.I.R.

2. FEATURES ON THE SAME CENTERLINE MUST BE ALIGNED WITHIN ±0.002

3. REMOVE ALL BURRS

DO NOT SCALE DRAWING

| | | | | |
|--|-------|-------------------|-------|--------|
| THIS DRAWING DESCRIBES A DESIGN CONSIDERED PROPRIETARY IN NATURE, DEVELOPED AND MANUFACTURED BY SWITCHCRAFT INC. AND IS RELEASED ON A CONFIDENTIAL BASIS FOR IDENTIFICATION PURPOSES ONLY. | | | | |
| SIZE | WIDTH | MULT | LBS/M | TEMPER |
| FINISH | | MATERIAL SPEC No. | | |
| SPEC No. | | SCALE 2:1 | | |
| FIRST USED ON | | DATE DRAWN | | |
| 8-Aug-94 | | BY SG | | |
| CHKD SG | | APVD GHJ | | |
| 8-10-94 | | 8-10-94 | | |
| NAME | | | | REV |
| B SERIES MALE OG | | | | J |
| PART No. | | | REV | |
| B_M SERIES | | | J | |

X-ON Electronics

Largest Supplier of Electrical and Electronic Components

Click to view similar products for [XLR Connectors](#) category:

Click to view products by [Switchcraft](#) manufacturer:

Other Similar products are found below :

[707-0300](#) [PPCB-H](#) [A3F01](#) [A3M01](#) [QGP3F](#) [HA16PRM-3SG\(71\)](#) [AA3FL](#) [AAA4FWZ](#) [AAA4MWZ](#) [AC5FPZB](#) [AC6AFDZV](#) [D4FB](#)
[DE4MW](#) [DHNF-BAG](#) [E3MBAUSW](#) [NA3MP-UW](#) [NC3FBHR1-0](#) [NC3FD-H-0](#) [NC3FK-V](#) [NC3FXY-B](#) [NC3MK-V](#) [NC3MXY](#) [NC5FX-](#)
[HD-B](#) [NC6MSX-BAG](#) [99.265.0400.0](#) [A3F04](#) [AC3FG](#) [AC4-FCP](#) [AQG4F](#) [2504FP](#) [R6MZ](#) [3FD-H-I](#) [3FD-H-I-\(0\)](#) [3FD-H-I-B](#) [3FD-V-I](#) [3FD-](#)
[V-I-\(0\)](#) [3FD-V-I-B](#) [3MD-H-I-B](#) [3MD-V-I](#) [3MD-V-I-B](#) [TA01](#) [TA3MWX](#) [TA5MLWX](#) [MINICCF8](#) [TRASM4M1X](#) [TRASM7M1X](#) [ML1](#)
[TS05TS](#) [BRT-L](#) [3FD-L-I-\(O\)](#)