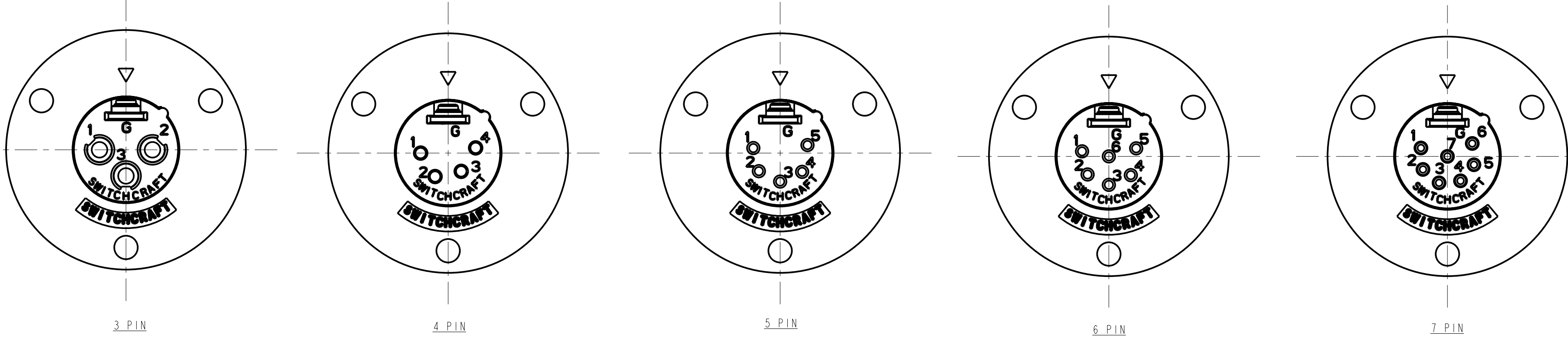


8 7 6 5 4 3 2 1



3 PIN

4 PIN

5 PIN

6 PIN

7 PIN

STANDARD SERIES

SCREW - STAINLESS STEEL
 HOUSING - ZINK, NICKEL PLATED
 SOLDER TERMINAL - BRASS, ELECTROTIN PLATED
 INSULATOR - POLYESTER, GREEN (UL94V-0)
 CONTACT PIN - BRASS, SILVER PLATED

C - M

CONTACT PLATING
 BLANK = SILVER (STANDARD)
 AU = GOLD

HOUSING FINISH
 BLANK = NICKEL PLATE (STANDARD)
 B = BLACK

NO. OF CONTACTS:
 3 = 3 CONTACTS
 4 = 4 CONTACTS
 5 = 5 CONTACTS
 6 = 6 CONTACTS
 7 = 7 CONTACTS

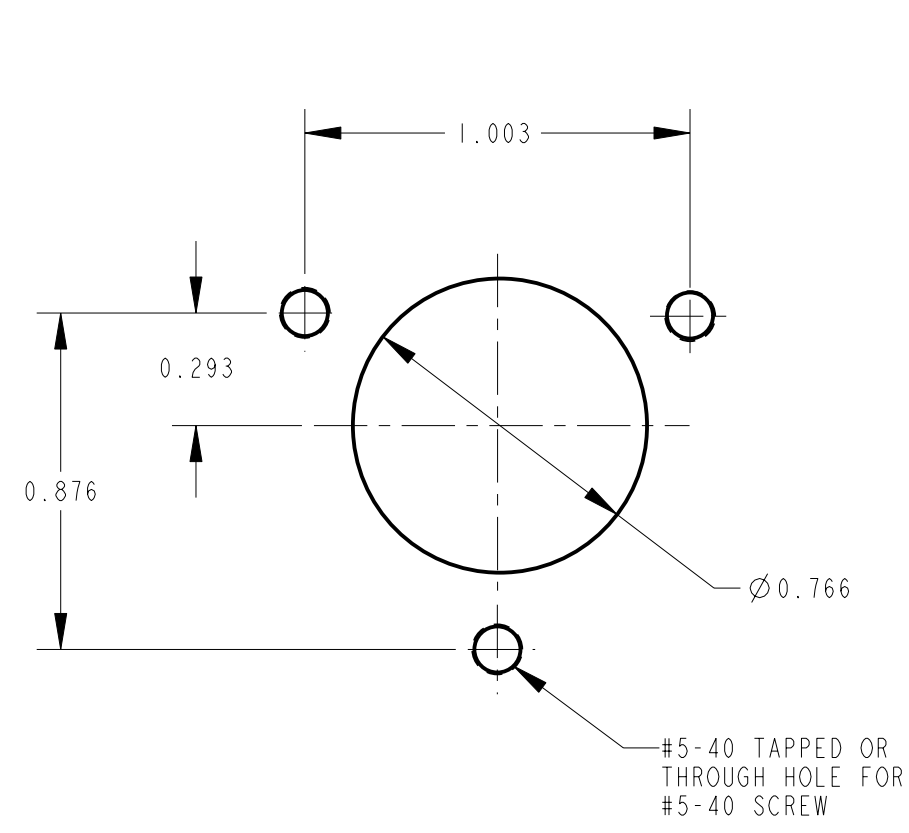
PROFESSIONAL SERIES

SAME AS ABOVE EXCEPT
 CONTACT PIN - PHOSPHOR BRONZE, GOLD OVER NICKEL

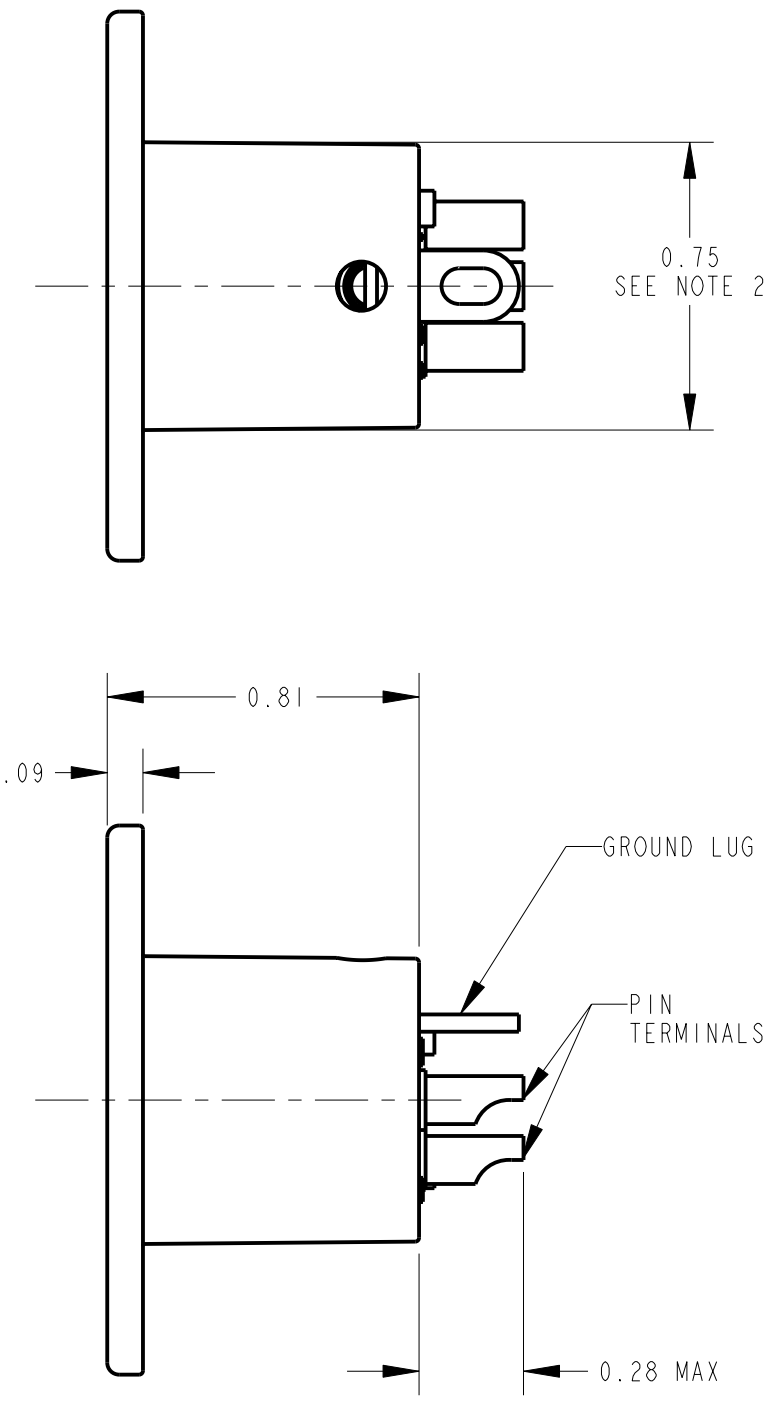
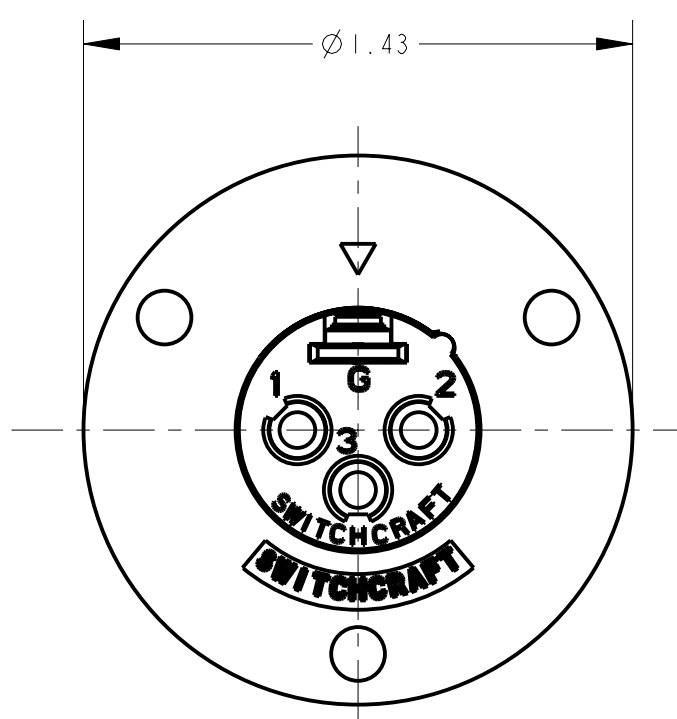
QGP 27

NO. OF CONTACTS:
 3 = 3 CONTACTS
 4 = 4 CONTACTS
 5 = 5 CONTACTS
 6 = 6 CONTACTS
 7 = 7 CONTACTS

NOTE:
 1. ALL DIMENSIONS ARE REFERENCE, UNLESS OTHERWISE SPECIFIED.



RECOMMENDED
 PANEL CUT-OUT



CUSTOMER DRAWING

G	21136	2-3-97	MM	RB	☆ STAR SYMBOL DENOTES CRITICAL DIMENSION UNLESS OTHERWISE SPECIFIED 1. ALL DIMENSIONS IN INCHES - TWO PLACE DECIMALS ±0.01 - THREE PLACE DECIMALS ±0.005 - ANGLES ±1° - ALL DIA. CONCENTRIC WITHIN 0.005 T.I.R. 2. FEATURES ON THE SAME CENTERLINE MUST BE ALIGNED WITHIN ±0.002 3. REMOVE ALL BURRS DO NOT SCALE DRAWING	THIS DRAWING DESCRIBES A DESIGN CONSIDERED PROPRIETARY IN NATURE, DEVELOPED AND MANUFACTURED BY SWITCHCRAFT INC. AND IS RELEASED ON A CONFIDENTIAL BASIS FOR IDENTIFICATION PURPOSES ONLY.				
F	21070	2-3-97	MM	RB		SIZE	WIDTH	MULT	LBS/M	TEMPER
E	21035	2-3-97	MM	RB		FINISH	MATERIAL			
D	20627	1-20-96	SG	SG		SPEC No.	SPEC No.			
C	20534	12-9-95	SG	RB		FIRST USED ON	SCALE 2:1			
H	22838	9-30-99	JL	DG	DATE DRAWN	BY	CHKD	APVD	Switchcraft SHEET OF PART No. REV	
REV	ECO NUMBER	DATE	BY	APVD	8-10-94	SG	SG	GHJ		
REVISIONS					C SERIES MALE QG					
					C_M SERIES H					

8 7 6 5 4 3 2 1

X-ON Electronics

Largest Supplier of Electrical and Electronic Components

Click to view similar products for [XLR Connectors](#) category:

Click to view products by [Switchcraft](#) manufacturer:

Other Similar products are found below :

[707-0300](#) [8800235](#) [91101181024](#) [91201231](#) [91214571](#) [A3F01](#) [A3M01](#) [QGP3F](#) [HA16PRQ-3SE\(71\)](#) [AA3FL](#) [AAA4FWZ](#) [AAA4MWZ](#)
[AC3-MIC](#) [AC4-MIC](#) [AC5FPZB](#) [AC6AFDZV](#) [AC7FDZB](#) [D4FB](#) [DE4MW](#) [DHNF-BAG](#) [E3MBAUSW](#) [NA2FP-UW](#) [NA3MP-UW](#)
[NC3FBHR1-0](#) [NC3FD-H-0](#) [NC3FK-V](#) [NC3FX-1](#) [NC3FXY-B](#) [NC3MDM3-H-B](#) [NC3MK-V](#) [NC3MXY](#) [NC4FD-LX-0](#) [NC5FX-HD-B](#)
[NC6FSXX-BAG](#) [NC6MD-LX-BAG](#) [NC6MSX-BAG](#) [91210071096](#) [SL05](#) [99.265.0400.0](#) [A3F04](#) [AC3FG](#) [AC3MMG](#) [AC4-FCP](#) [AC4FPZ](#)
[AQG4F](#) [2504FP](#) [30-498-2](#) [R6MZ](#) [CXX-15](#) [3FD-H-I](#)