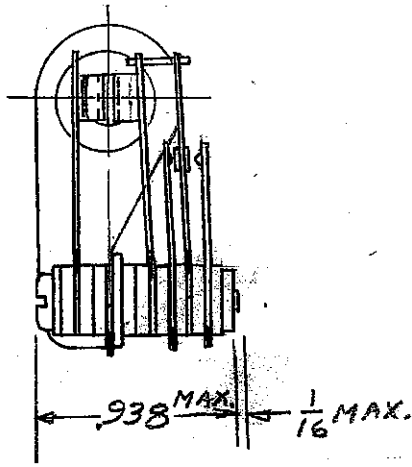
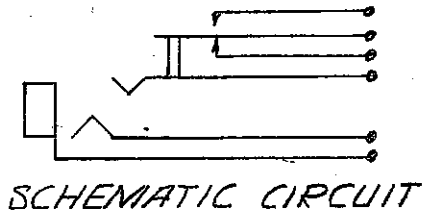


5/8 O.D. WASHER
STEEL, NICKEL PLATED

3/8 -32 THREAD

1/2 HEX LOCKNUT
BRASS, NICKEL PLATED



NOTES:

- MATERIALS:
FRAME - STEEL, NICKEL PLATED
BUSHING - BRASS, NICKEL PLATED
SPRING - NICKEL SILVER, SPRING TEMPER
CONTACTS - FINE SILVER
SPACERS - PHENOLIC
TERMINALS - HOT SOLDER DIPPED LEAD FREE
TWIN NUT & SCREWS - STEEL, NICKEL PLATED
- ALL DIMENSIONS SHOWN ARE FOR REFERENCE ONLY.
- THIS PRODUCT IS ROHS COMPLIANT.

CUSTOMER DRAWING

ISS SYM	REVISION	BY	DATE
A	25884	TO	6-5-08

THIS DRAWING DESCRIBES A DESIGN CONSIDERED PROPRIETARY IN NATURE, DEVELOPED AND MANUFACTURED BY SWITCHCRAFT, INC., AND IS RELEASED ON A CONFIDENTIAL BASIS FOR IDENTIFICATION PURPOSE ONLY.

UNLESS OTHERWISE SPECIFIED:

- DECIMAL DIMENSIONS $\pm .005$
- FRACTIONAL DIMENSIONS $\pm 1/64$
- ANGLES $\pm 1/2^\circ$
- ALL DIA'S CONCENTRIC WITHIN .002 T.I.R.
- ALL DIMENSIONS IN INCHES
- FOR THREADS USE UNIFIED PLUG AND RING GAGES ONLY.
- REMOVE ALL BURRS.
- PART TO BE FABRICATED AS SPECIFIED. MAKE NO DIMENSIONAL ALLOWANCES FOR APPLIED FINISHES, I.E., PLATING, PAINTING, ETC.
- HOLES OR BORE CENTERLINE MUST BE ALIGNED WITHIN $\pm .002$

DO NOT SCALE DRAWING

DRAWN BY TO	DATE 5/31/13	FINISH
CHECKED BY TJC	DATE 5/31/13	PER FINISH SPEC. NO.
APPROVED BY TJC	DATE 5/31/13	PER MAT. SPEC. NO.
SCALE FULL	FIRST USED ON	
NAME SF JAX, ROHS	PART NO. C55BX	ISSUE A
	SHEET 1 OF 1	

X-ON Electronics

Largest Supplier of Electrical and Electronic Components

Click to view similar products for [Phone Connectors](#) category:

Click to view products by [Switchcraft](#) manufacturer:

Other Similar products are found below :

[M444B](#) [6J1041A](#) [R4F](#) [E12BPKG](#) [ECP4PKG](#) [163-157J-E](#) [MT333X](#) [171-0350-EX](#) [171-101A-EX](#) [171-3325-EX](#) [176S](#) [NC3MG-V](#)
[NYS228G](#) [P10834](#) [P2380](#) [P2381X](#) [P2411X](#) [P2412](#) [P2724](#) [JM2PB-AU BULK](#) [9144](#) [S2674](#) [280L](#) [163-158N-2-E](#) [171-3308-EX](#) [171-3500-E](#)
[2501FT](#) [CMT335](#) [M10662](#) [330Q](#) [RJ5VI-S](#) [40116](#) [TM1R-AU](#) [TM2PBMJ-AU](#) [TM2PJ-AU](#) [TM2PJ-AU BULK](#) [4803.1351](#) [49201](#) [49205](#)
[TS3PBJ-AU](#) [TS3PBMJ-AU](#) [TT32BX](#) [54B](#) [C55BX](#) [40112](#) [40205](#) [415](#) [XMT332B](#) [52170017-331](#) [570](#)