

CUSTOMER PRINT

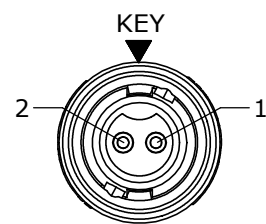
PART NUMBER: CA16280XPXXX90

- NOTES:
 1. FINISHED CABLE ASSEMBLY TO BE COILED
 2. OVERMOLD BOOT MATERIAL: PVC, BLACK
 3. ELECTRICAL TEST: 100% CONTINUITY

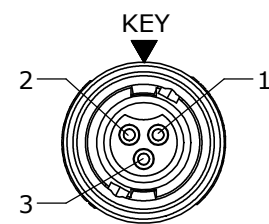
ASS'Y P/N	NO. OF POSITION	"X" DIM.
CA162802P07990	2 POS.	6 FT. 7 IN. ± 2 IN. [2M]
CA162803P07990	3 POS.	
CA16280XPXXX90		

CABLE LENGTH IN "INCHES"

NO OF POSITIONS



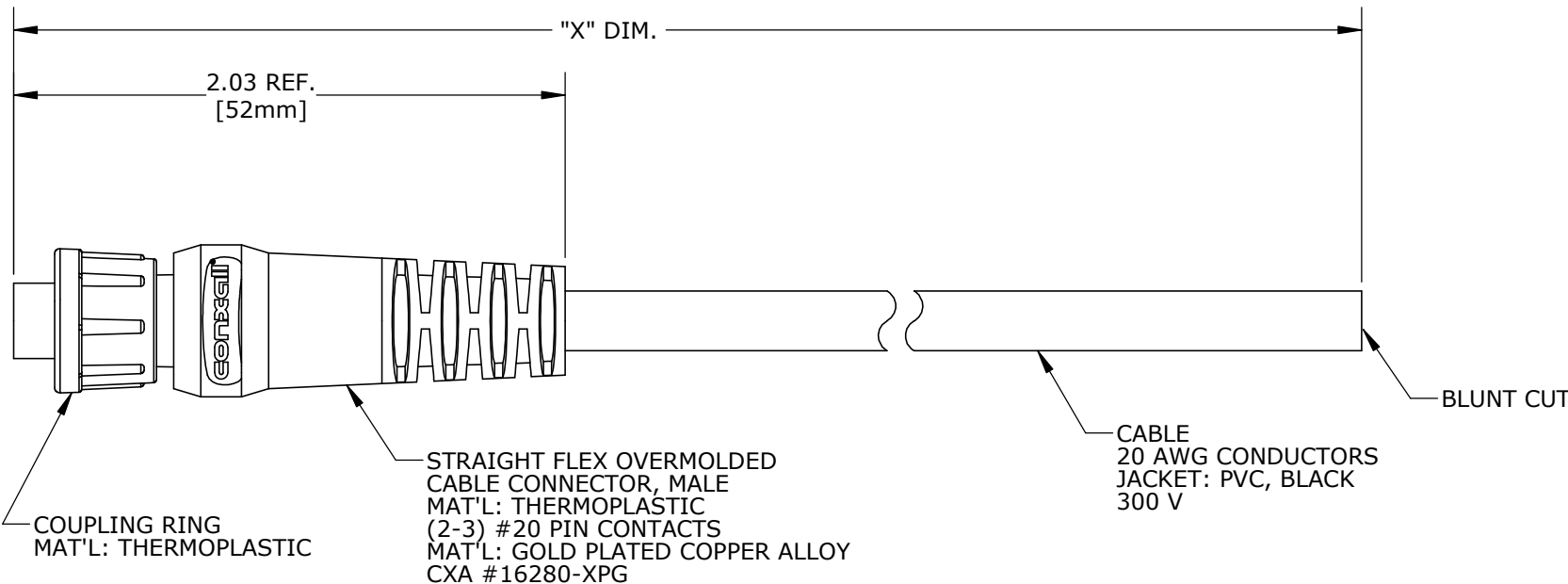
FACE VIEW
P/N: CA162802PXXX90



FACE VIEW
P/N: CA162803PXXX90

O-RING
MAT'L: RUBBER

END "A"



COUPLING RING
MAT'L: THERMOPLASTIC

STRAIGHT FLEX OVERMOLDED
CABLE CONNECTOR, MALE
MAT'L: THERMOPLASTIC
(2-3) #20 PIN CONTACTS
MAT'L: GOLD PLATED COPPER ALLOY
CXA #16280-XPG

CABLE
20 AWG CONDUCTORS
JACKET: PVC, BLACK
300 V

BLUNT CUT

ASSY P/N	CABLE	COLOR CODE END "A"		
CA162802PXXX90	2/20 AWG O.D. 0.215 REF	COLOR CODE		
		POS. 1	POS. 2	
		BLK	WHT	
CA162803PXXX90	3/20 AWG O.D. 0.220 REF	WIRE COLOR CODE		
		POS. 1	POS. 2	POS. 3
		BLK	WHT	GRN

DIMENSIONS IN BRACKET [] ARE METRIC.

CUSTOMER APPROVAL

THIS DOCUMENT CONTAINS CONFIDENTIAL INFORMATION PROPRIETARY TO CONXALL CORPORATION. ANY REPRODUCTION, DISCLOSURE, OR USE OF THIS DOCUMENT /INFORMATION IS EXPRESSLY PROHIBITED UNLESS AUTHORIZED IN WRITING BY CONXALL CORPORATION.

APPROVED BY: _____
 DATE: _____

RoHS COMPLIANT

REV.	INIT.	DATE	DESCRIPTION
B	AB	09-10-19	NEW FLEX OVERMOLD PER DOR 19-SQ104238JS
A	AN	11-08-16	DRAWING CREATED PER DOR 16-7663JP

ALL INFORMATION ILLUSTRATED IS THE PROPERTY OF "CONXALL CORPORATION". UNAUTHORIZED DUPLICATION OR DISTRIBUTION OF THIS DOCUMENT IS PROHIBITED.	ORIG. DRAWN BY: AN DATE: 11-07-16	 601 E. WILDWOOD VILLA PARK, IL 60181
ALL UNITS ARE IN FEET, INCHES, FRACTION OF INCHES AND DECIMALS.	CHECKED BY:	
	APPROVED BY:	TITLE: CABLE ASSEMBLY (2-3) #20 PIN CONTACTS MICRO-CON-X STANDARD PRODUCT
	SCALE: NTS SIZE: B SHEET: 1 OF 1	CUSTOMER: STANDARD PRODUCT
	FILE: CA16280XPXXX90 DIRECTORY: SLW	PART NUMBER: CA16280XPXXX90

X-ON Electronics

Largest Supplier of Electrical and Electronic Components

Click to view similar products for [Specialised Cables category](#):

Click to view products by [Switchcraft manufacturer](#):

Other Similar products are found below :

[603PT6](#) [603SS6L](#) [604PT6](#) [604SS6](#) [706000D02F200](#) [910640](#) [1200740077](#) [1200740114](#) [AC172](#) [ACL-SSI-4](#) [R88ACAKA0015SRE](#)
[R88ACAWL005SDE](#) [R88ACRGD0R3C](#) [1300150047](#) [1300660036](#) [1302262116](#) [1300150149](#) [1300220020](#) [1300220104](#) [1300220119](#)
[1301240492](#) [1301810221](#) [1365323-1](#) [1613055](#) [176P12](#) [1971465-2](#) [20240400003](#) [20240400013](#) [2085828-1](#) [20886510030](#) [2-22733-8](#) [22733-](#)
[8](#) [CB-5PSBC-RS](#) [CB-704EC-RS](#) [CB-BATACC-RS](#) [CB-JST3PSW-RS](#) [CB-M12COM-R10](#) [25AC84](#) [25AK84X](#) [25AU25](#) [25FN82](#) [3011-03](#)
[AC118](#) [ACL-HHS-1M\(CAT5E\)](#) [SSL009PC2DC012N](#) [FC2A-KC6C](#) [2085828-2](#) [20886510150](#) [CCS-FCB-5](#) [CCSFCBF2](#)