

CUSTOMER PRINT

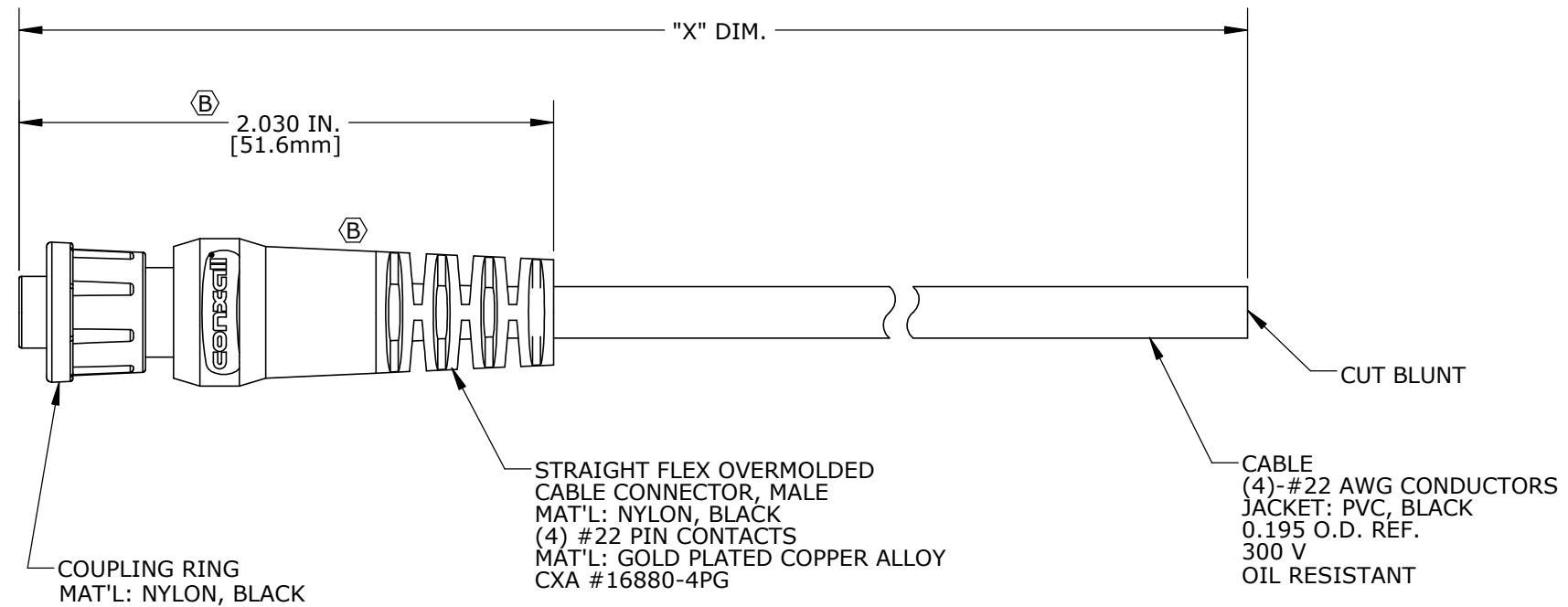
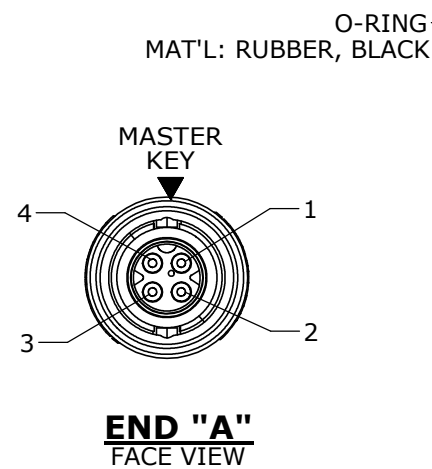
PART NUMBER: CA168804PXXX90

**NOTES:**

1. FINISHED CABLE ASSEMBLY 3 FEET OR SHORTER TO BE BUNDLED.  
FINISHED CABLE ASSEMBLY OVER 3 FEET TO BE COILED
2. OVERMOLD BOOT MATERIAL: PVC, BLACK
3. ELECTRICAL TEST: 100% CONTINUITY
4. ALL DIMENSIONS ARE REFERENCE ONLY EXCEPT WHEN NOTED WITH TOLERANCE

ASS'Y P/N	"X" DIM.
CA168804P03990	3 FT. 3 1/2 IN. ± 2 IN. [1M]
CA168804P07990	6 FT. 7 IN. ± 2 IN. [2M]
CA168804P19790	16 FT. 5 IN. ± 4 IN. [5M]
CA168804P39490	32 FT. 9 3/4 IN. ± 8 IN. [10M]
CA168804PXXX90	

CABLE LENGTH IN "INCHES"



WIRE COLOR CODE, END "A"			
POS. 1	POS. 2	POS. 3	POS. 4
BLK	WHT	BLU	BRN

DIMENSIONS IN BRACKET [ ] ARE METRIC.

**CUSTOMER APPROVAL**

THIS DOCUMENT CONTAINS CONFIDENTIAL INFORMATION PROPRIETARY TO CONXALL CORPORATION. ANY REPRODUCTION, DISCLOSURE, OR USE OF THIS DOCUMENT /INFORMATION IS EXPRESSLY PROHIBITED UNLESS AUTHORIZED IN WRITING BY CONXALL CORPORATION.

APPROVED BY: \_\_\_\_\_

DATE: \_\_\_\_\_

**RoHS COMPLIANT**

B	AN	03-18-21	CHANGED TO FLEX OVERMOLD, UPDATED CONN. DIM. PER ECR 9574
A	AN	09-16-19	DRAWING CREATED PER DOR 19-SQ104237JS
REV.	INIT.	DATE	DESCRIPTION
AN	AN	08-21-19	ORIG. DRAWN BY: AN DATE: 08-21-19 CHECKED BY: _____
ALL INFORMATION ILLUSTRATED IS THE PROPERTY OF "CONXALL CORPORATION". UNAUTHORIZED DUPLICATION OR DISTRIBUTION OF THIS DOCUMENT IS PROHIBITED.			<p>601 E. WILDWOOD VILLA PARK, IL 60181</p>
ALL UNITS ARE IN FEET, INCHES, FRACTIONS OF INCHES AND DECIMALS.			
APPROVED BY: _____		TITLE: CABLE ASSEMBLY (4) #22 PIN CONTACTS MICRO-CON-X, STRAIGHT STANDARD PRODUCT	
SCALE	SIZE	SHEET	CUSTOMER:
NTS	B	1 OF 1	CA168804PXXX90
FILE:	DIRECTORY:	PART NUMBER:	REV
CA168804PXXX90	SLW	CA168804PXXX90	B

## X-ON Electronics

Largest Supplier of Electrical and Electronic Components

*Click to view similar products for [Specialised Cables category](#):*

*Click to view products by [Switchcraft manufacturer](#):*

Other Similar products are found below :

[604SS6](#) [910640](#) [96CB-L2020PIB2](#) [1200740077](#) [1200740114](#) [AC172](#) [ACL-SSI-4](#) [R88ACRGD0R3C](#) [1300150047](#) [1300660036](#) [1302262116](#)  
[1300150079](#) [1300220020](#) [1300220119](#) [1301240492](#) [1365323-1](#) [1589946-2](#) [176P12](#) [1971465-2](#) [20240400003](#) [20886510030](#) [2-22733-8](#)  
[22733-8](#) [CB-BATACC-RS](#) [CB-JST3PSW-RS](#) [25AU25](#) [3011-03](#) [SSL009PC2DC012N](#) [SSM005PC0DY012Q](#) [CCS-FCB-5](#) [CCSF2CBF2](#)  
[R88ACAGB003BRE](#) [416216000-3](#) [426122200-3](#) [AXXCBL650HDHD](#) [5057-1AC](#) [VMMP6R](#) [426055800-3](#) [05AD05X](#) [10075358-](#)  
[F0200YYLF](#) [1052015-1-10](#) [540012](#) [RTPADPTR02](#) [603ST2](#) [603ST6](#) [604PS2](#) [604PS5](#) [604ST5](#) [636083-1](#) [CB-870EC-RS](#)