

CUSTOMER PRINT

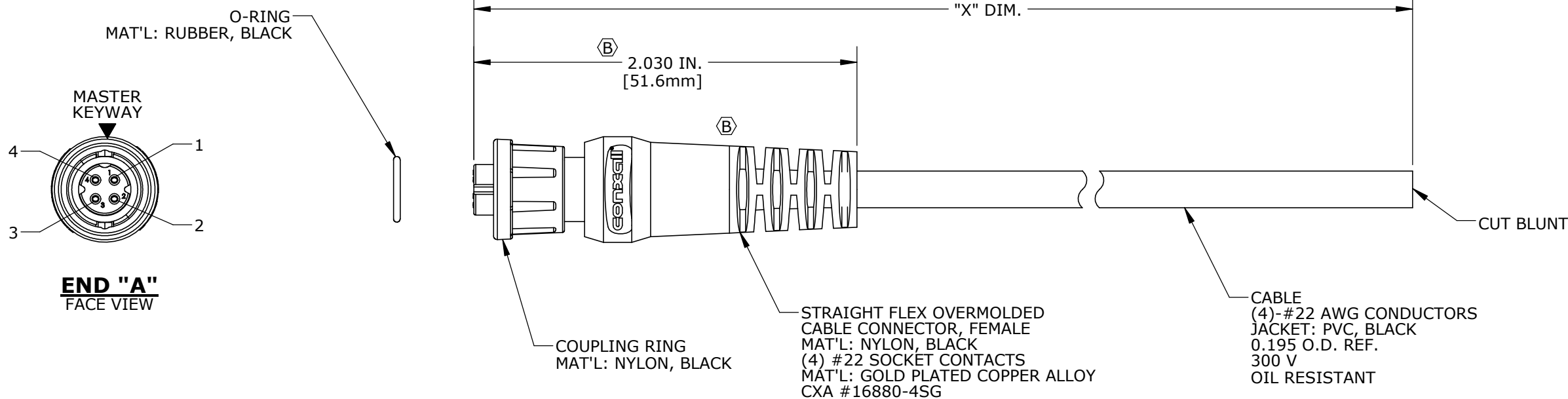
PART NUMBER: CA168804SXXX90

NOTES:

1. FINISHED CABLE ASSEMBLY 3 FEET OR SHORTER TO BE BUNDLED.
FINISHED CABLE ASSEMBLY OVER 3 FEET TO BE COILED.
2. OVERMOLD BOOT MATERIAL: PVC, BLACK
3. ELECTRICAL TEST: 100% CONTINUITY
4. ALL DIMENSIONS ARE REFERENCE ONLY EXCEPT WHEN NOTED WITH TOLERANCE

ASS'Y P/N	"X" DIM.
CA168804S03990	3 FT. 3 1/2 IN. ± 2 IN. [1M]
CA168804S07990	6 FT. 7 IN. ± 2 IN. [2M]
CA168804S19790	16 FT. 5 IN. ± 4 IN. [5M]
CA168804S39490	32 FT. 9 3/4 IN. ± 8 IN. [10M]
CA168804SXXX90	

CABLE LENGTH IN "INCHES"



WIRE COLOR CODE, END "A"			
POS. 1	POS. 2	POS. 3	POS. 4
BLK	WHT	BLU	BRN

DIMENSIONS IN BRACKET [] ARE METRIC.

CUSTOMER APPROVAL

THIS DOCUMENT CONTAINS CONFIDENTIAL INFORMATION PROPRIETARY TO CONXALL CORPORATION. ANY REPRODUCTION, DISCLOSURE, OR USE OF THIS DOCUMENT /INFORMATION IS EXPRESSLY PROHIBITED UNLESS AUTHORIZED IN WRITING BY CONXALL CORPORATION.

APPROVED BY: _____

DATE: _____

RoHS COMPLIANT

B	AN	03-18-21	CHANGED TO FLEX OVERMOLD, UPDATED CONN. DIM. PER ECR 9574
A	AN	09-16-19	DRAWING CREATED PER DOR 19-SQ104237JS
REV.	INIT.	DATE	DESCRIPTION
ALL INFORMATION ILLUSTRATED IS THE PROPERTY OF "CONXALL CORPORATION". UNAUTHORIZED DUPLICATION OR DISTRIBUTION OF THIS DOCUMENT IS PROHIBITED.		ORIG. DRAWN BY: AN	DATE: 08-20-19
ALL UNITS ARE IN FEET, INCHES, FRACTIONS OF INCHES AND DECIMALS.		CHECKED BY:	
		APPROVED BY:	
SCALE	SIZE	SHEET	TITLE:
NTS	B	1 OF 1	CABLE ASSEMBLY (4) #22 SOCKET CONTACTS MICRO-CON-X, STRAIGHT STANDARD PRODUCT
FILE:	DIRECTORY:	PART NUMBER:	REV
CA168804SXXX90	SLW	CA168804SXXX90	B



601 E. WILDWOOD VILLA PARK, IL 60181

X-ON Electronics

Largest Supplier of Electrical and Electronic Components

Click to view similar products for [Specialised Cables](#) category:

Click to view products by [Switchcraft](#) manufacturer:

Other Similar products are found below :

[604SS6](#) [910640](#) [96CB-L2020PIB2](#) [1200740077](#) [1200740114](#) [AC172](#) [ACL-SSI-4](#) [R88ACRGD0R3C](#) [1300150047](#) [1300660036](#) [1302262116](#)
[1300150079](#) [1300220020](#) [1300220119](#) [1301240492](#) [1365323-1](#) [1589946-2](#) [176P12](#) [1971465-2](#) [20240400003](#) [20886510030](#) [2-22733-8](#)
[22733-8](#) [CB-BATACC-RS](#) [CB-JST3PSW-RS](#) [25AU25](#) [3011-03](#) [SSL009PC2DC012N](#) [SSM005PC0DY012Q](#) [CCS-FCB-5](#) [CCSF2CBF2](#)
[416216000-3](#) [426122200-3](#) [AXXCBL650HDHD](#) [5057-1AC](#) [VMMP6R](#) [426055800-3](#) [426101100-3](#) [05AD05X](#) [10075358-F0200YYLF](#)
[1052015-1-10](#) [540012](#) [RTPADPTR02](#) [603ST2](#) [603ST6](#) [604PS2](#) [604PS5](#) [604ST5](#) [636083-1](#) [CB-870EC-RS](#)