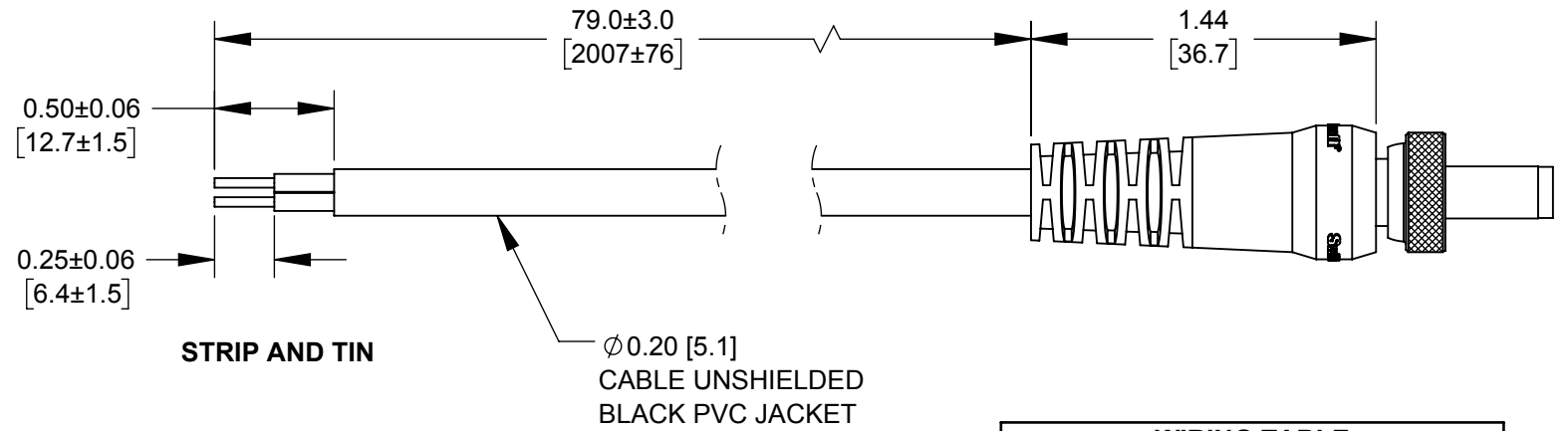
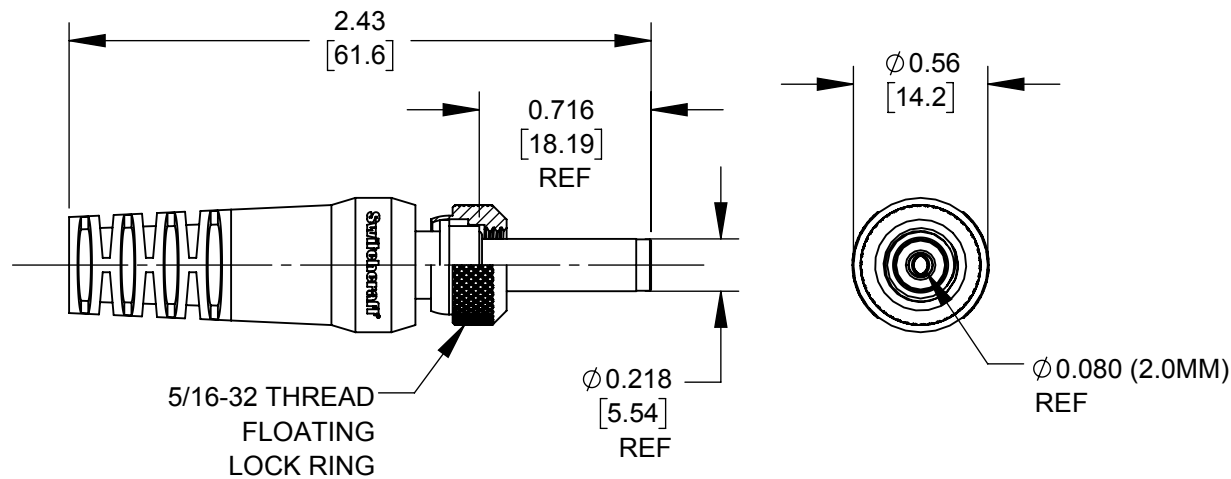


761KS, 767KS, AND S761KS SERIES SEALED PLUGS

761KS - ϕ 0.100 (2.5MM) REF
 767KS - ϕ 0.084 (2.1MM) REF
 S761KS - ϕ 0.080 (2.0MM) REF

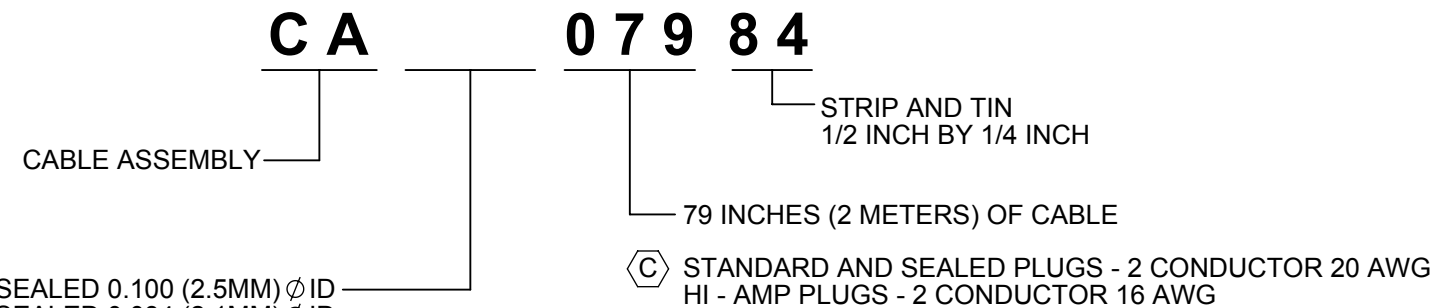


WIRING TABLE	
POWER PLUG	WIRE COLOR
TIP	RED
SLEEVE	BLACK

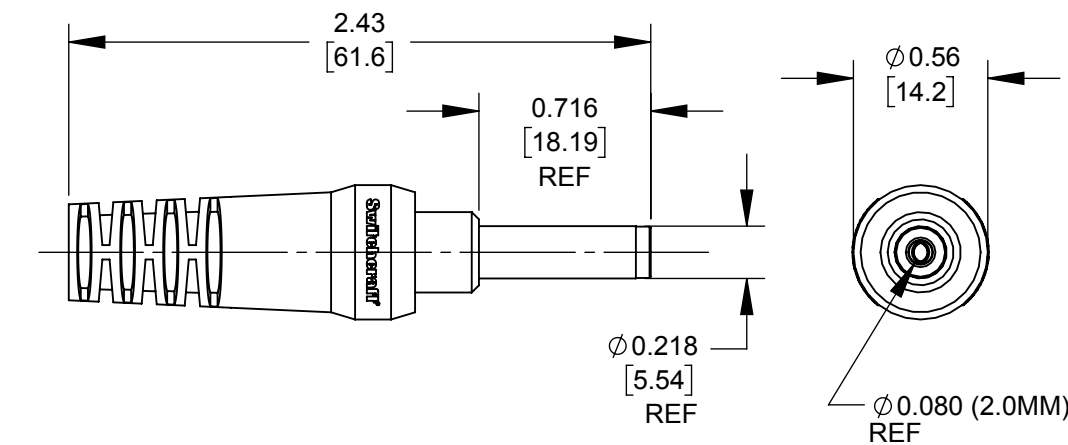


S10KS SERIES SEALED HI-AMP PLUG

ϕ 0.080 (2.0MM) REF



- 761KS** - SEALED 0.100 (2.5MM) ϕ ID
- 767KS** - SEALED 0.084 (2.1MM) ϕ ID
- S761KS** - SEALED 0.080 (2.0MM) ϕ ID
- S10KS** - HI AMP - SEALED 0.080(2.0MM) ϕ ID
- S10** - HI AMP NON-SEALED - 0.080(2.0MM) ϕ ID NON-LOCKING
- 760** - DC POWER PLUG 0.100 (2.5MM) ϕ ID NON-LOCKING
- 762** - DC POWER PLUG 0.084 (2.1MM) ϕ ID NON-LOCKING
- S760** - DC POWER PLUG 0.080 (2.0MM) ϕ ID NON-LOCKING
- 760K** - DC POWER PLUG 0.100 (2.5MM) ϕ ID LOCKING
- 761K** - DC POWER PLUG 0.100 (2.5MM) ϕ ID LOCKING
- 762K** - DC POWER PLUG 0.084 (2.1MM) ϕ ID LOCKING
- 767K** - DC POWER PLUG 0.084 (2.1MM) ϕ ID LOCKING
- S760K** - DC POWER PLUG 0.080 (2.0MM) ϕ ID LOCKING
- S761K** - DC POWER PLUG 0.080 (2.0MM) ϕ ID LOCKING



S10 SERIES NON-SEALED NON-LOCKING HI-AMP PLUG

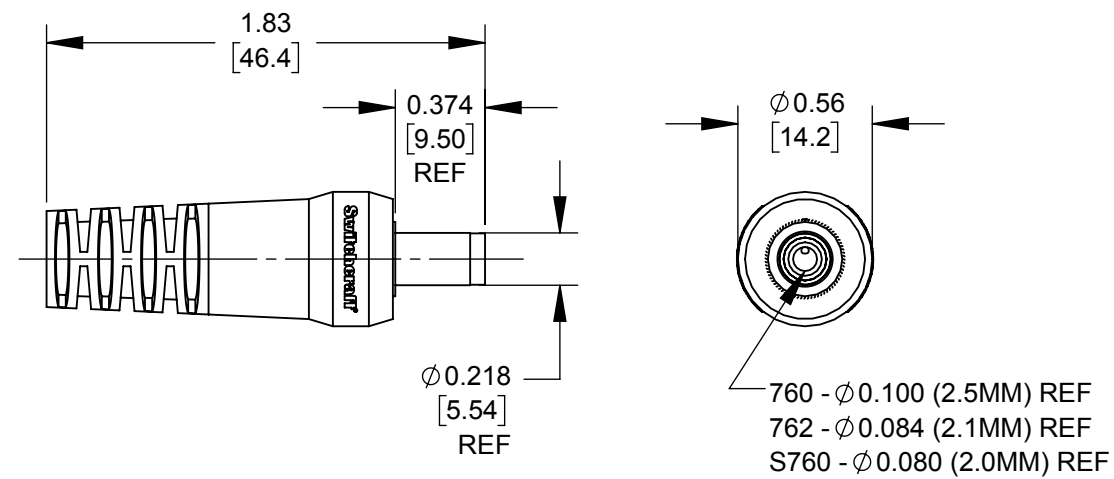
REV	ECO NUMBER	DATE	BY	APVD
C	27930	08-17-17	PC	TJK
B	27615	11-30-15	TO	TJK
A	27477	4/2/15	TJK	TJK

UNLESS OTHERWISE SPECIFIED
 1. ALL DIMENSIONS IN INCHES [mm]
 - TWO PLACE DECIMALS \pm 0.02 [0.5]
 - THREE PLACE DECIMALS \pm 0.005 [0.13]

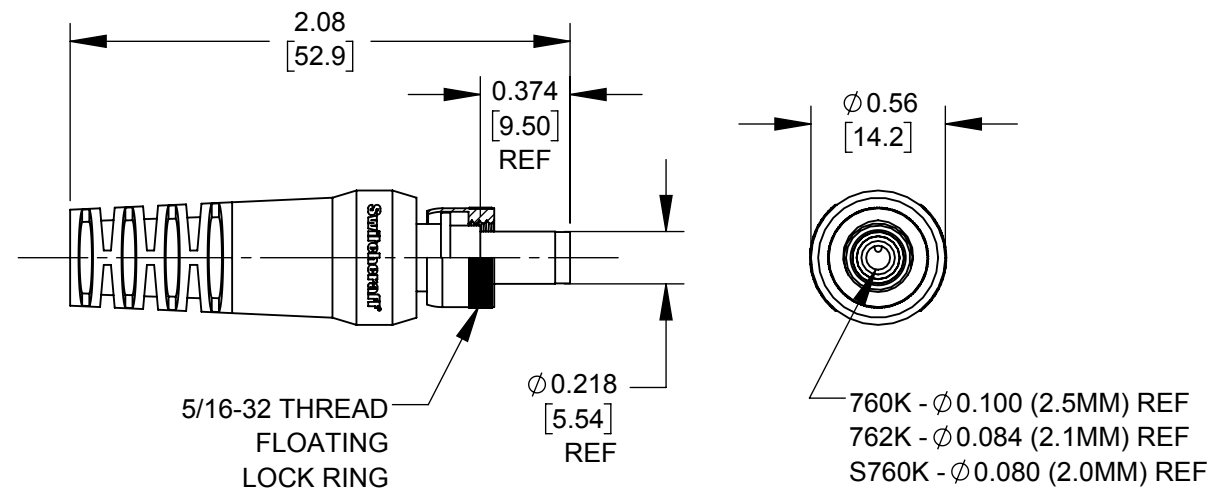
DO NOT SCALE DRAWING

THIS DRAWING DESCRIBES A DESIGN CONSIDERED PROPRIETARY IN NATURE, DEVELOPED AND MANUFACTURED BY SWITCHCRAFT INC. AND IS RELEASED ON A CONFIDENTIAL BASIS FOR IDENTIFICATION PURPOSES ONLY.									
SIZE	WIDTH	MULT	LBS/M	TEMPER					
FINISH					MATERIAL				
SPEC No.					SPEC No.				
FIRST USED ON					SCALE				
					1.25:1				
DATE DRAWN	BY	CHKD	APVD						
3/19/15	AB	AB	TJK						
			3/19/15						
			4/2/15						
NAME CABLE ASSEMBLY - MOLDED STRAIGHT POWER PLUGS, RoHS									
PART No.								REV	
CA___07984								C	

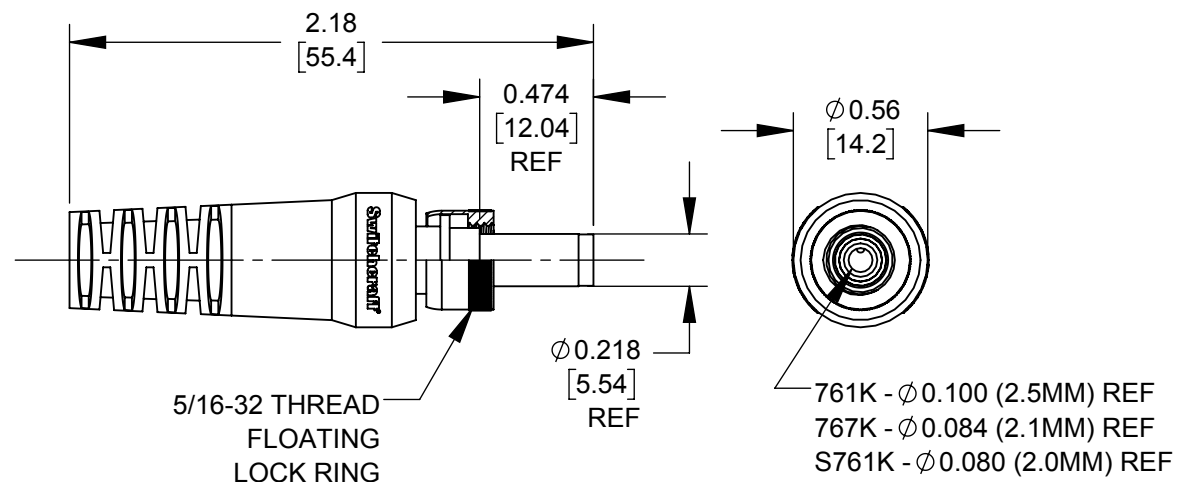
CUSTOMER DRAWING



C 760, 762, AND S760 SERIES
NON-LOCKING POWER PLUGS



C 760K, 762K, AND S760K SERIES
LOCKING POWER PLUG



C 761K, 767K, AND S761K SERIES
LOCKING POWER PLUGS

CUSTOMER DRAWING

SCALE 1.25:1	Switchcraft [®]	
DATE DRAWN 08/02/17		
DRAWN BY ALM	PART No. CA 07984	REV C

X-ON Electronics

Largest Supplier of Electrical and Electronic Components

Click to view similar products for [DC Power Cords](#) category:

Click to view products by [SWITCHCRAFT](#) manufacturer:

Other Similar products are found below :

[172-4000](#) [172-4101](#) [172-7443-E](#) [21033836407](#) [2J-1865A](#) [2R7006A20A120](#) [426055400-3](#) [MN47A4BC01M010](#) [H-OU-2](#) [CA0002](#)
[420680840-3](#) [426451500-3](#) [P162PT4-36](#) [1-832692-4](#) [FJ-VSP 3M](#) [96CB-POWER-B-1.8M2](#) [426040200](#) [CA0006](#) [H-OU-27](#) [1700019464](#) [FJ-](#)
[VSP 10M](#) [MN47B4BC01M040](#) [H-OU-20](#) [2-836917-8](#) [867566-1](#) [804001P03M050G](#) [2050KH1-BK](#) [426013710-3](#) [58257-1069](#) [216603-0037](#)
[1011147](#) [1011324](#) [1012028](#) [862545-5](#) [BXC-10567](#) [172-2555](#) [32102-022800-200-RS](#) [P29000-M2](#) [P29004-M2](#) [DC.CAB.0201.0150](#)
[DC.CAB.0301.0150](#) [DC.CAB.0610.0150](#) [DC.CAB.0700.0150](#) [DC.CAB.1000.0300](#) [DC.CAB.1100.0150](#) [DC.CAB.1400.0150](#)
[DC.CAB.1410.0150](#) [DC.CAB.1500.0150](#) [DC.CAB.1811.0150](#) [DC.CAB.1900.0150](#)