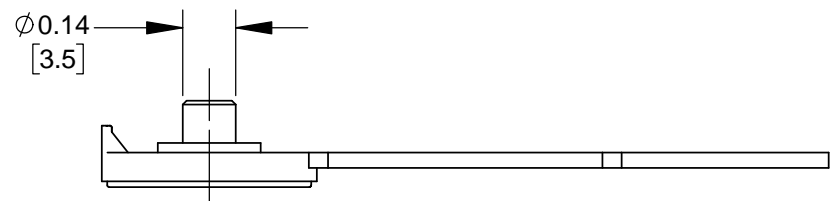
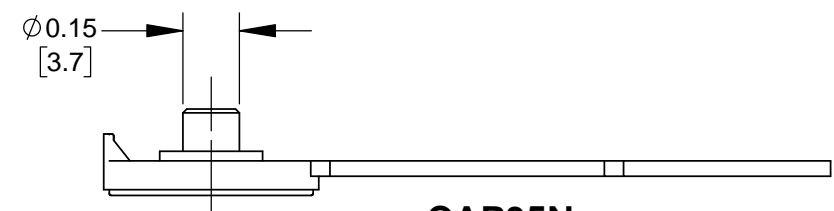


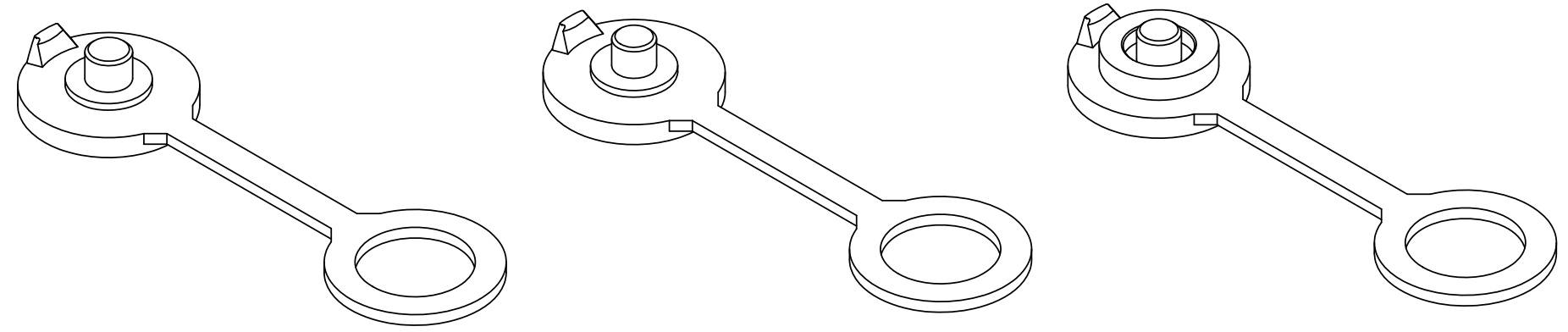
**CAP35L**



**CAP35S**



**CAP35N**



**CAP35N**

**CAP35S**

**CAP35L**

**CAP35**

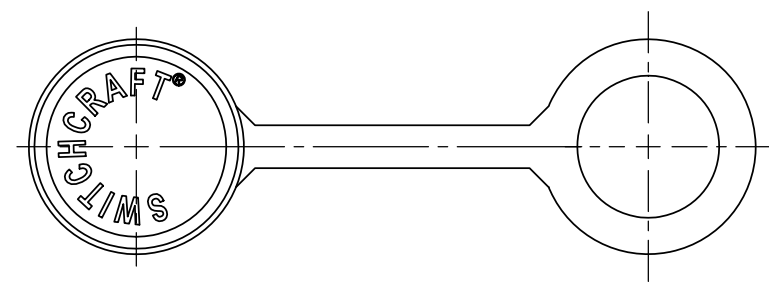
**L** - USE WITH 35FM3LS, 35FM3L, 35FM3AUL, 35FM3AULS  
35RM3LS, 35RM3L, 35RM3AUL, 35RM3AULS

**S** - USE WITH 35FM3S, 35FM3AUS, 35RM3S, 35RM3AUS

**N** - USE WITH 35FM3, 35FM3AU, 35RM3, 35RM3AU

- NOTES:
1. PROTECTIVE DUST CAPS TO BE USED ON 3.5MM PANEL MOUNT JACKS.  
WEATHERTIGHT RATINGS - IP67 & IP68  
THERMAL SHOCK-MIL-STD-202G, METHOD 107G  
MOISTURE RESISTANCE- MIL-STD-202G, METHOD 106G
  2. DIMENSIONS SHOWN FOR REFERENCE ONLY.
  3. MATERIAL: THERMOPLASTIC ELASTOMER, BLACK.
  4. THIS PRODUCT IS RoHS COMPLIANT.

**CUSTOMER DRAWING**



|           |            |          |    |      |  |       |           |              |        |
|-----------|------------|----------|----|------|--|-------|-----------|--------------|--------|
|           |            |          |    |      | THIS DRAWING DESCRIBES A DESIGN CONSIDERED PROPRIETARY IN NATURE, DEVELOPED AND MANUFACTURED BY SWITCHCRAFT INC. AND IS RELEASED ON A CONFIDENTIAL BASIS FOR IDENTIFICATION PURPOSES ONLY. |       |           |              |        |
|           |            |          |    |      | SIZE   | WIDTH | MULT      | LBS/M        | TEMPER |
|           |            |          |    |      | FINISH   |       |           | MATERIAL     |        |
|           |            |          |    |      | SPEC No.   |       |           | SPEC No.     |        |
|           |            |          |    |      | FIRST USED ON  |       | SCALE 2:1 |              |        |
|           |            |          |    |      | DATE DRAWN   | BY    | CHKD      | APVD         |        |
|           |            |          |    |      | 02/22/18   | AM    | PC        | TJK          |        |
|           |            |          |    |      |  |       | 08/05/19  | 08/05/19     |        |
|           |            |          |    |      | NAME PROTECTIVE CAP, RoHS  |       |           | PART No.     |        |
|           |            |          |    |      | PANEL MOUNT 3.5MM JACKS  |       |           | CAP35 SERIES |        |
|           |            |          |    |      |  |       |           | REV A        |        |
| REVISIONS |            |          |    |      | DO NOT SCALE DRAWING   |       |           |              |        |
| A         | 28106      | 11/09/18 | PC | TJK  |  |       |           |              |        |
| REV       | ECO NUMBER | DATE     | BY | APVD |  |       |           |              |        |

## X-ON Electronics

Largest Supplier of Electrical and Electronic Components

*Click to view similar products for [Phone Connectors](#) category:*

*Click to view products by [Switchcraft](#) manufacturer:*

Other Similar products are found below :

[M444B](#) [6J1041A](#) [R4F](#) [E12BPKG](#) [ECP4PKG](#) [161-3502L-E](#) [MT333X](#) [171-0350-EX](#) [171-101A-EX](#) [171-3325-EX](#) [176S](#) [NC3MG-V](#)  
[NS112BX](#) [NYS228G](#) [P10834](#) [P2380](#) [P2381X](#) [P2411X](#) [P2412](#) [P2724](#) [JM2PB-AU BULK](#) [9144](#) [S2674](#) [280L](#) [163-158N-2-E](#) [171-3308-EX](#)  
[171-3500-E](#) [2501FT](#) [CMT335](#) [M10662](#) [330Q](#) [RJ5VI-S](#) [40116](#) [TM1R-AU](#) [TM2PBMJ-AU](#) [TM2PJ-AU](#) [TM2PJ-AU BULK](#) [4803.1351](#)  
[49201](#) [49205](#) [TS3PBJ-AU](#) [TS3PBMJ-AU](#) [TT32BX](#) [54B](#) [40112](#) [40205](#) [415](#) [XMT332B](#) [52170017-331](#) [570](#)