

0.19  
[4.7]

Ø 1.02  
[26.0]

Ø 0.54  
[13.7]

0.11  
[2.8]

Ø 1.43  
[36.3]

Ø 0.95  
[24.2]

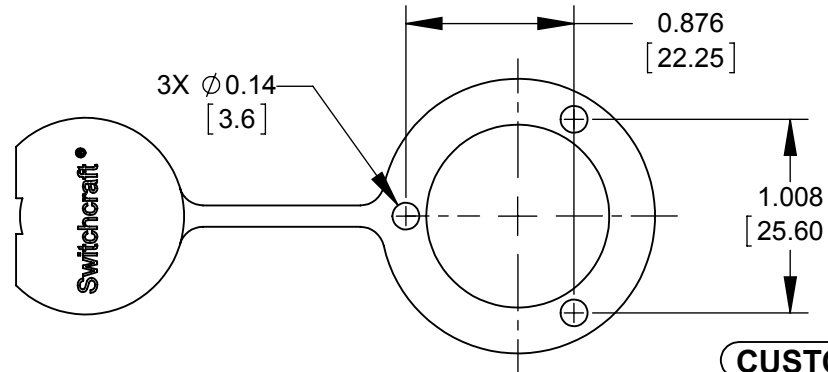
0.36  
[9.2]

2.25  
[57.2]

0.293  
[7.44]

0.47  
[11.8]

0.04  
[1.0]



NOTES:

1. MATERIAL - BLACK THERMOPLASTIC ELASTOMER.
2. THIS PART IS ROHS COMPLIANT.

**CUSTOMER DRAWING**

					THIS DRAWING DESCRIBES A DESIGN CONSIDERED PROPRIETARY IN NATURE, DEVELOPED AND MANUFACTURED BY SWITCHCRAFT INC. AND IS RELEASED ON A CONFIDENTIAL BASIS FOR IDENTIFICATION PURPOSES ONLY.				
					SIZE	WIDTH	MULT	LBS/M	TEMPER
					FINISH			SEE NOTES	
					SPEC No.			MATERIAL	
					FIRST USED ON			SCALE	
					DATE DRAWN			1:1	
					BY			APVD	
					10-13-14			8-12-15	
					SRC			TJK	
					CHKD			APVD	
					10-13-14			8-12-15	
					SRC			TJK	
A	RELEASED 27511	6-24-15	SRC	TJK					
REV	ECO NUMBER	DATE	BY	APVD					
REVISIONS					NAME				
DO NOT SCALE DRAWING					"C" SERIES MALE CAP				
					PART No.			REV	
					CAPMC			A	

SolidWorks CAD File



## X-ON Electronics

Largest Supplier of Electrical and Electronic Components

*Click to view similar products for [Standard Circular Connector](#) category:*

*Click to view products by [Switchcraft](#) manufacturer:*

Other Similar products are found below :

[5M2530B10P](#) [600259N006](#) [600273N007](#) [6134-336-13149](#) [6134-337-11149](#) [6134-337-2390](#) [6134-341-17149](#) [6280-4SG-516](#) [6280-7SG-3DC](#)  
[6290](#) [6291A](#) [66200A-10](#) [680-SMG](#) [681-PMG](#) [CXS3102A14S2P](#) [CXS3102A181S](#) [7251-5SG-300](#) [7271-6SG-300](#) [7282-3PG-300-CH3](#) [75-](#)  
[474618-01S](#) [75-474618-04P](#) [75-474618-04S](#) [799539-000](#) [MI8-SE](#) [805-005-07NF11-19PC](#) [805-005-07NF15-7PA](#) [8280-4PG-516](#) [8280-7PG-](#)  
[519](#) [8282-5PG-519](#) [836783-1](#) [MP-4102-25P-C](#) [862256-1](#) [864019-2](#) [866857-1](#) [867865-1](#) [PT01SP-14-18P](#) [PT08P-14-5S](#) [PTSF06SE-14-12S](#)  
[120-1833-000](#) [QCM019PC2DC012B](#) [1-2069279-1](#) [121583-0217](#) [121667-0020](#) [129591AU](#) [1000B BULK](#) [RD10A16-19-P6CS051/1](#)  
[RD10A20-31-P8CS051/1](#) [RD16A14-12-S6CS051/2](#) [1301240290](#) [1301240347](#) [1301860202](#)