

CUSTOMER PRINT

PART NUMBER: CARA16280XSXXX90

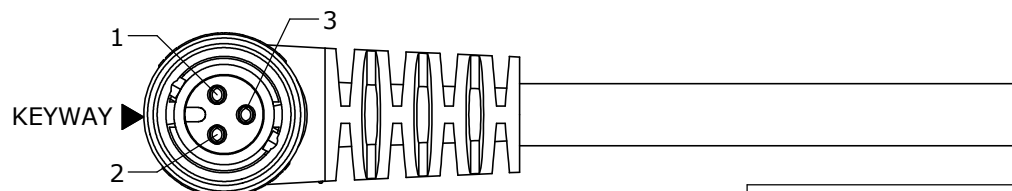
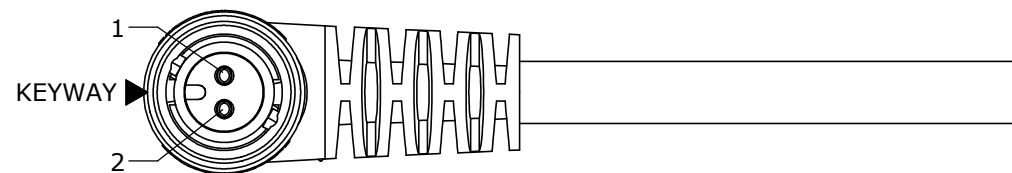
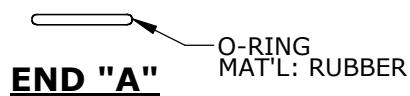
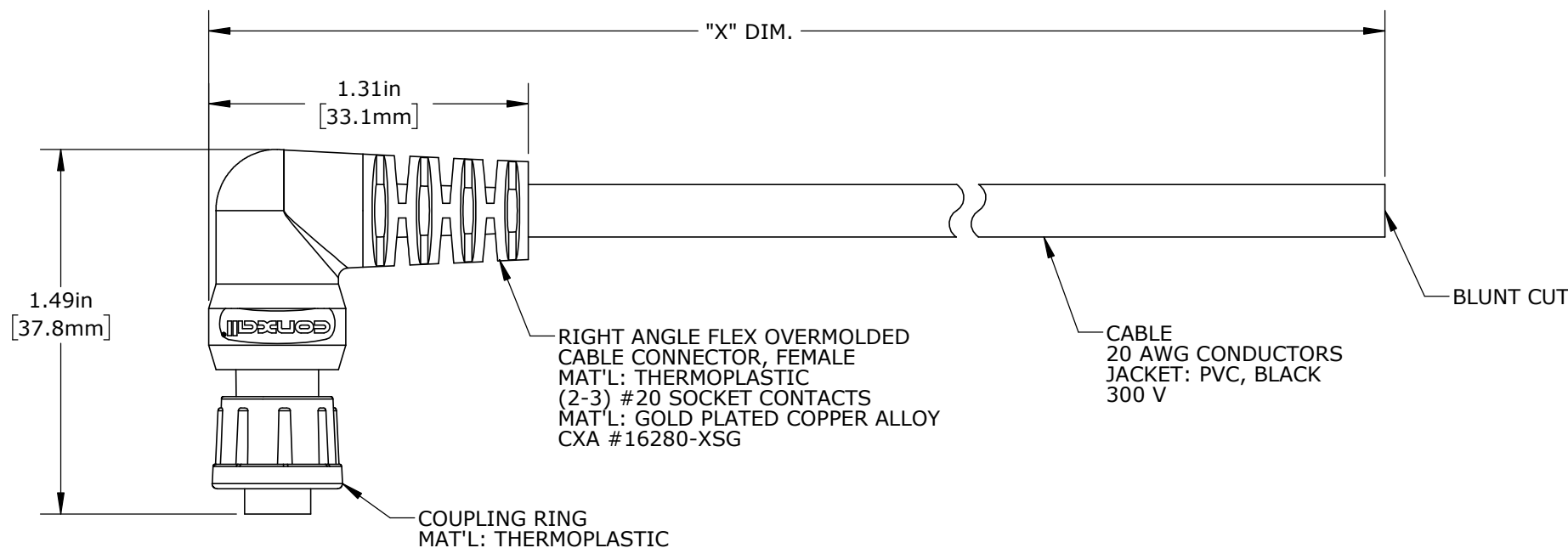
NOTES:

1. FINISHED CABLE ASSEMBLY TO BE COILED
2. OVERMOLD BOOT MATERIAL: PVC, BLACK
3. ELECTRICAL TEST: 100% CONTINUITY

ASS'Y P/N	NO. OF POSITION	"X" DIM.
CARA162802S07990	2 POS.	6 FT. 7 IN. ± 2 IN. [2M]
CARA162803S07990	3 POS.	
CARA16280XSXXX90		

CABLE LENGTH IN "INCHES"

NO OF POSITIONS



DIMENSIONS IN BRACKET [] ARE METRIC.

CUSTOMER APPROVAL

THIS DOCUMENT CONTAINS CONFIDENTIAL INFORMATION PROPRIETARY TO CONXALL CORPORATION. ANY REPRODUCTION, DISCLOSURE, OR USE OF THIS DOCUMENT /INFORMATION IS EXPRESSLY PROHIBITED UNLESS AUTHORIZED IN WRITING BY CONXALL CORPORATION.

APPROVED BY: _____

DATE: _____

RoHS COMPLIANT

ASSY P/N	CABLE	COLOR CODE END "A"		
CARA162802SXXX90	2/20 AWG O.D. 0.215 REF	COLOR CODE		
		POS. 1	POS. 2	
		BLK	WHT	
CARA162803SXXX90	3/20 AWG O.D. 0.220 REF	WIRE COLOR CODE		
		POS. 1	POS. 2	POS. 3
		BLK	WHT	GRN

REV.	INIT.	DATE	DESCRIPTION
B	AB	11-03-20	NEW FLEX OVERMOLD PER DOR 19-SQ104238JS
A	AN	11-07-16	DRAWING CREATED PER DOR 16-7663JP

<small>ALL INFORMATION ILLUSTRATED IS THE PROPERTY OF "CONXALL CORPORATION". UNAUTHORIZED DUPLICATION OR DISTRIBUTION OF THIS DOCUMENT IS PROHIBITED.</small>	ORIG. DRAWN BY: AN DATE: 11-07-16	<p>601 E. WILDWOOD VILLA PARK, IL 60181</p>	
<small>ALL UNITS ARE IN FEET, INCHES, FRACTIONS OF INCHES AND DECIMALS.</small>	CHECKED BY: _____ APPROVED BY: _____		TITLE: CABLE ASSEMBLY (2-3) #20 SOCKET CONTACTS MICRO-CON-X, R ANGLE STANDARD PRODUCT
FILE: CARA16280XSXXX90	DIRECTORY: SLW	PART NUMBER: CARA16280XSXXX90	REV B

X-ON Electronics

Largest Supplier of Electrical and Electronic Components

Click to view similar products for [Specialised Cables](#) category:

Click to view products by [Switchcraft](#) manufacturer:

Other Similar products are found below :

[603PT6](#) [603SS6L](#) [604PT6](#) [604SS6](#) [706000D02F200](#) [910640](#) [1200740077](#) [1200740114](#) [AC172](#) [ACL-SSI-4](#) [R88ACAKA0015SRE](#)
[R88ACAWL005SDE](#) [R88ACRGD0R3C](#) [1300150047](#) [1300660036](#) [1302262116](#) [1300150149](#) [1300220020](#) [1300220104](#) [1300220119](#)
[1301240492](#) [1301810221](#) [1365323-1](#) [1613055](#) [176P12](#) [1971465-2](#) [20240400003](#) [20240400013](#) [2085828-1](#) [20886510030](#) [2-22733-8](#) [22733-](#)
[8](#) [CB-5PSBC-RS](#) [CB-704EC-RS](#) [CB-BATACC-RS](#) [CB-JST3PSW-RS](#) [CB-M12COM-R10](#) [25AC84](#) [25AK84X](#) [25AU25](#) [25FN82](#) [3011-03](#)
[AC118](#) [ACL-HHS-1M\(CAT5E\)](#) [SSL009PC2DC012N](#) [FC2A-KC6C](#) [2085828-2](#) [20886510150](#) [CCS-FCB-5](#) [CCSFCBF2](#)