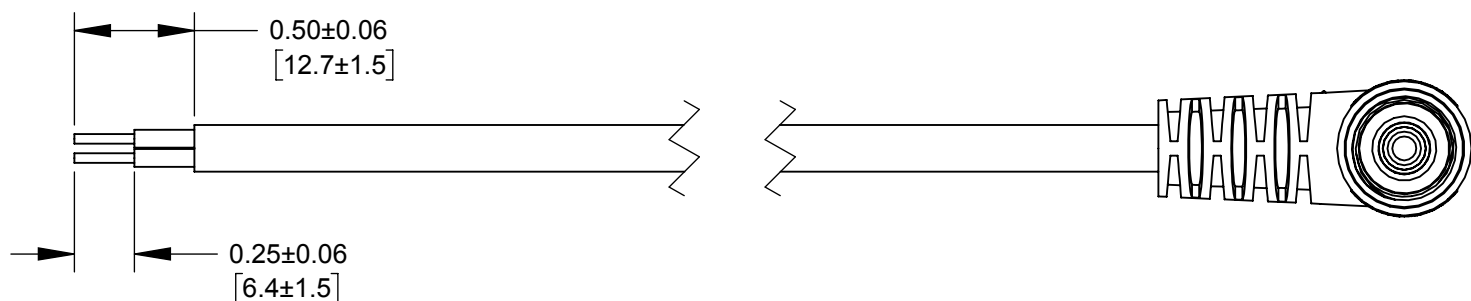


Ø0.20 [5.1]  
CABLE UNSHIELDED  
BLACK PVC JACKET

**STRIP AND TIN**



WIRING TABLE	
POWER PLUG	WIRE COLOR
TIP	RED
SLEEVE	BLACK

**C A R A 0 7 9 8 4**

CABLE ASSEMBLY  
RIGHT ANGLE  
STRIP AND TIN  
1/2 INCH BY 1/4 INCH  
79 INCHES (2 METERS) OF CABLE

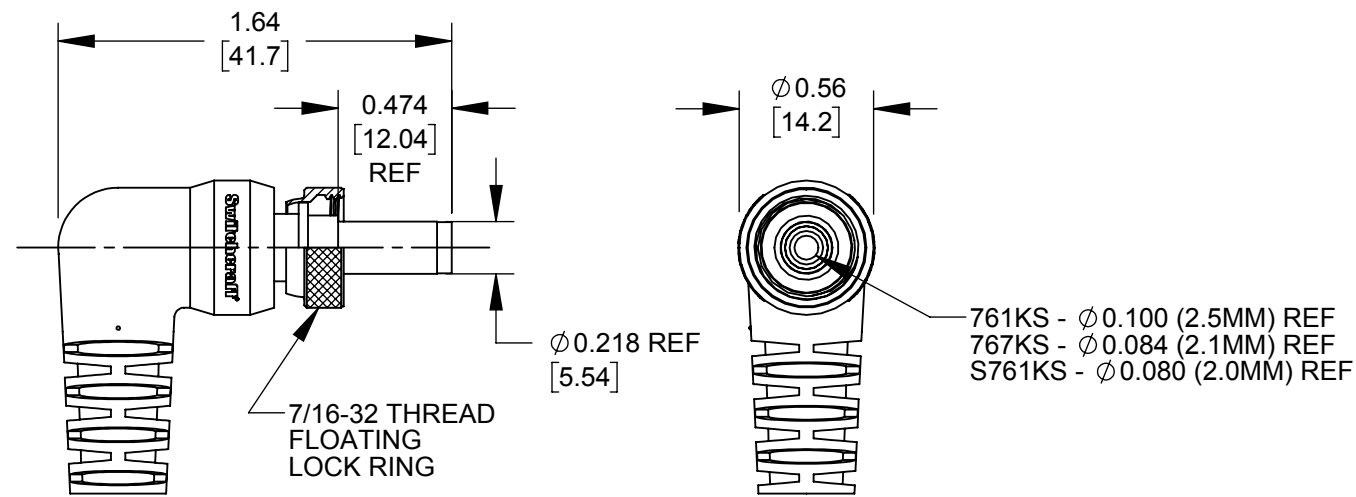
Ⓢ STANDARD AND SEALED PLUGS - 2 CONDUCTOR 20 AWG  
HI - AMP PLUGS - 2 CONDCUTOR 16 AWG

- 761KS - SEALED 0.100 (2.5MM) Ø ID
- 767KS - SEALED 0.084 (2.1MM) Ø ID
- S761KS - SEALED 0.080 (2.0MM) Ø ID
- S10KS - HI AMP - SEALED 0.080(2.0MM) Ø ID
- S10 - HI AMP NON-SEALED - 0.080(2.0MM) Ø ID NON-LOCKING
- 760 - DC POWER PLUG 0.100 (2.5MM) Ø ID NON-LOCKING
- 762 - DC POWER PLUG 0.084 (2.1MM) Ø ID NON-LOCKING
- S760 - DC POWER PLUG 0.080 (2.0MM) Ø ID NON-LOCKING
- 760K - DC POWER PLUG 0.100 (2.5MM) Ø ID LOCKING
- 761K - DC POWER PLUG 0.100 (2.5MM) Ø ID LOCKING
- 762K - DC POWER PLUG 0.084 (2.1MM) Ø ID LOCKING
- 767K - DC POWER PLUG 0.084 (2.1MM) Ø ID LOCKING
- S760K - DC POWER PLUG 0.080 (2.0MM) Ø ID LOCKING
- S761K - DC POWER PLUG 0.080 (2.0MM) Ø ID LOCKING

**CUSTOMER DRAWING**

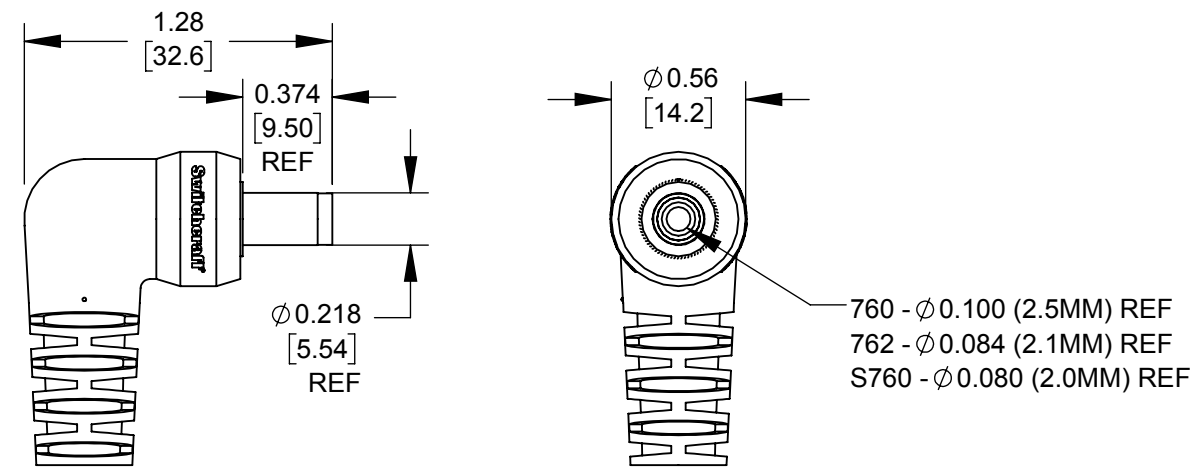
					THIS DRAWING DESCRIBES A DESIGN CONSIDERED PROPRIETARY IN NATURE, DEVELOPED AND MANUFACTURED BY SWITCHCRAFT INC. AND IS RELEASED ON A CONFIDENTIAL BASIS FOR IDENTIFICATION PURPOSES ONLY.						
					UNLESS OTHERWISE SPECIFIED	SIZE	WIDTH	MULT	LBS/M	TEMPER	
					1. ALL DIMENSIONS IN INCHES [mm]	FINISH				MATERIAL	
					- TWO PLACE DECIMALS ±0.02 [0.5]	SPEC No.				SPEC No.	
					- THREE PLACE DECIMALS ±0.005 [0.13]	FIRST USED ON		SCALE		Switchcraft®	
						1.25:1					
C	27930	08-17-17	PC	TJK	DATE DRAWN	BY	CHKD	APVD	SHEET 1 OF 2		
B	27615	11-30-15	TO	TJK	3/19/15	AB	AB	TJK			
A	27477	4/2/15	TJK	TJK			3/19/15	4/2/15			
REV	ECO NUMBER	DATE	BY	APVD	NAME CABLE ASSEMBLY - MOLDED RIGHT ANGLE POWER PLUGS, RoHS					PART No.	REV
REVISIONS					DO NOT SCALE DRAWING					CARA_07984	C

SolidWorks CAD File **B**



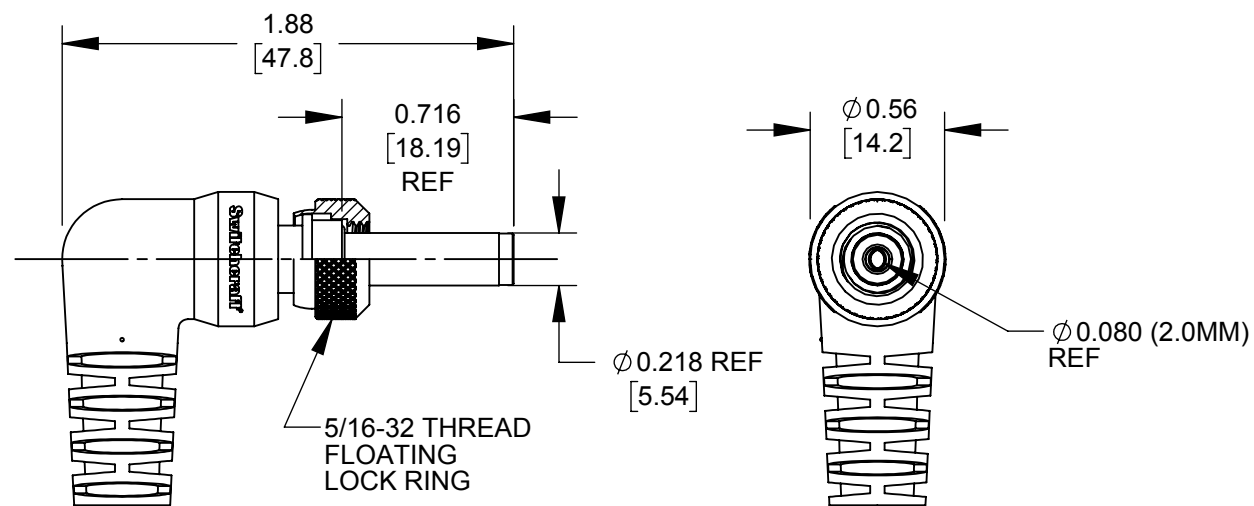
**761KS, 767KS, AND S761KS SERIES SEALED PLUGS**

761KS -  $\varnothing$ 0.100 (2.5MM) REF  
 767KS -  $\varnothing$ 0.084 (2.1MM) REF  
 S761KS -  $\varnothing$ 0.080 (2.0MM) REF



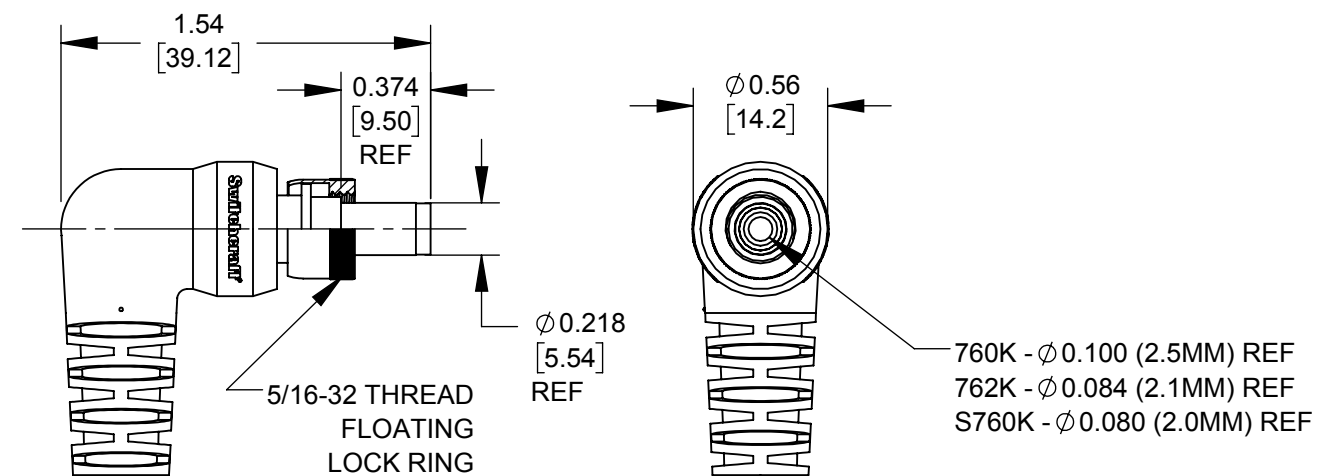
**760, 762, AND S760 SERIES NON-LOCKING POWER PLUGS**

760 -  $\varnothing$ 0.100 (2.5MM) REF  
 762 -  $\varnothing$ 0.084 (2.1MM) REF  
 S760 -  $\varnothing$ 0.080 (2.0MM) REF



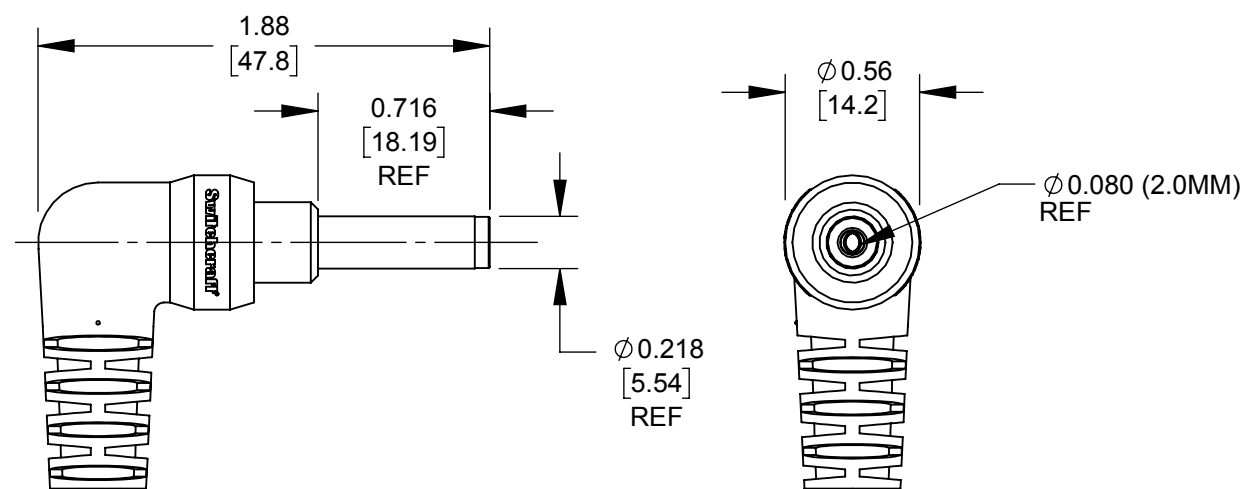
**S10KS SERIES SEALED HI-AMP PLUG**

$\varnothing$ 0.080 (2.0MM) REF



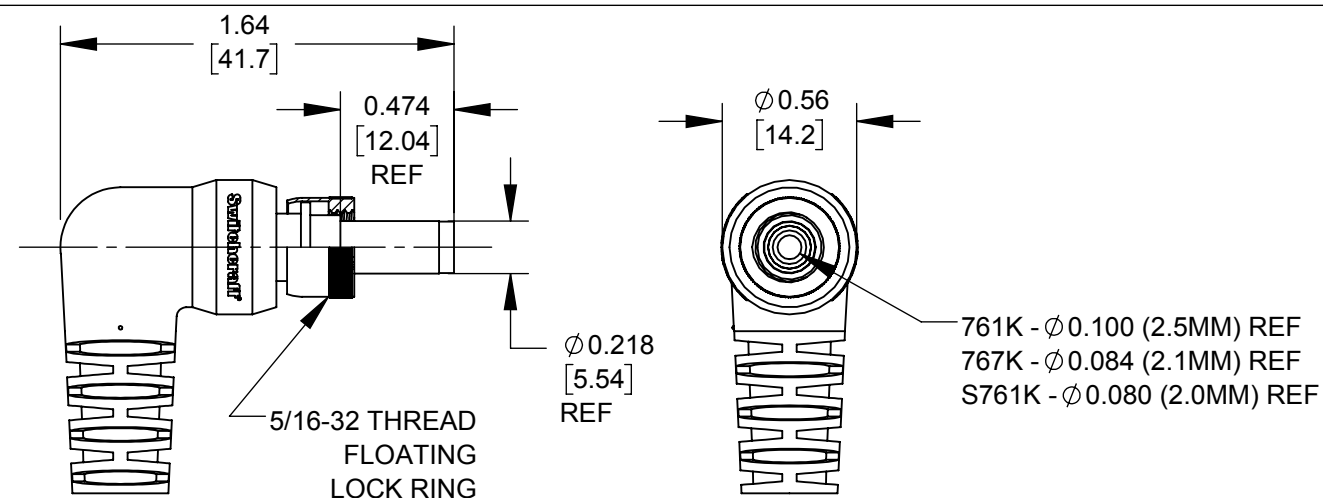
**760K, 762K, AND S760K SERIES LOCKING POWER PLUG**

760K -  $\varnothing$ 0.100 (2.5MM) REF  
 762K -  $\varnothing$ 0.084 (2.1MM) REF  
 S760K -  $\varnothing$ 0.080 (2.0MM) REF



**S10 SERIES NON-SEALED NON-LOCKING HI-AMP PLUG**

$\varnothing$ 0.080 (2.0MM) REF



**761K, 767K, AND S761K SERIES LOCKING POWER PLUGS**

**CUSTOMER DRAWING**

SCALE 1.25:1	<b>Switchcraft</b> <sup>®</sup>	
DATE DRAWN 08/02/17		
DRAWN BY ALM	PART No. CARA 07984	REV C

## X-ON Electronics

Largest Supplier of Electrical and Electronic Components

*Click to view similar products for [DC Power Cords](#) category:*

*Click to view products by [Switchcraft](#) manufacturer:*

Other Similar products are found below :

[172-4000](#) [172-4101](#) [172-7443-E](#) [21033836407](#) [2J-1865A](#) [2R7006A20A120](#) [426055400-3](#) [MN47A4BC01M010](#) [H-OU-2](#) [CA0002](#)  
[420680840-3](#) [426451500-3](#) [P162PT4-36](#) [1-832692-4](#) [FJ-VSP 3M](#) [96CB-POWER-B-1.8M2](#) [426040200](#) [CA0006](#) [H-OU-27](#) [1700019464](#) [FJ-](#)  
[VSP 10M](#) [MN47B4BC01M040](#) [H-OU-20](#) [2-836917-8](#) [867566-1](#) [804001P03M050G](#) [2050KH1-BK](#) [426013710-3](#) [58257-1069](#) [216603-0037](#)  
[1011147](#) [1011324](#) [1012028](#) [862545-5](#) [BXC-10567](#) [172-2555](#) [32102-022800-200-RS](#) [P29000-M2](#) [P29004-M2](#) [DC.CAB.0201.0150](#)  
[DC.CAB.0301.0150](#) [DC.CAB.0610.0150](#) [DC.CAB.0700.0150](#) [DC.CAB.1000.0300](#) [DC.CAB.1100.0150](#) [DC.CAB.1400.0150](#)  
[DC.CAB.1410.0150](#) [DC.CAB.1500.0150](#) [DC.CAB.1811.0150](#) [DC.CAB.1900.0150](#)