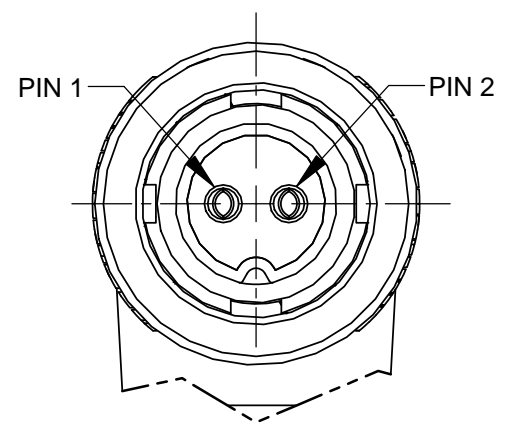
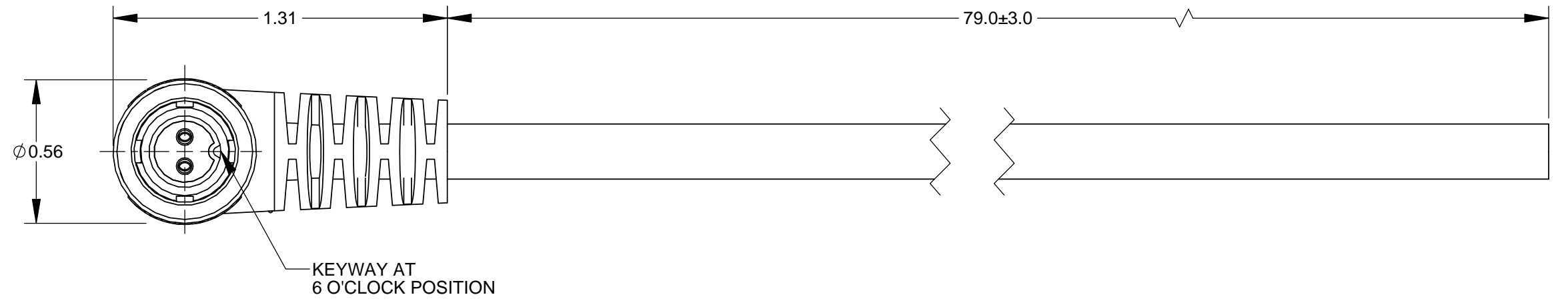


**EN2C2F20  
RIGHT ANGLE OVERMOLDED**  
 OVERMOLD - BLACK THERMOPLASTIC RUBBER  
 CONNECTOR - BLACK THERMOPLASTIC, WITH INSERT  
 MOLDED BLACK THERMOPLASTIC RUBBER.  
 CONTACTS - COPPER ALLOY, GOLD PLATED

S.C.O



**EN2C2F20 VIEWED FROM  
FRONT MATING  
SIDE OF CONNECTOR  
SCALE 3 : 1**



KEYWAY AT  
6 O'CLOCK POSITION

WIRING TABLE	
EN2C2F20	WIRE COLOR
PIN 1	BLACK
PIN 2	WHITE

**CUSTOMER DRAWING**

NOTES:  
1. THIS PRODUCT IS RoHS COMPLIANT.

REV	ECO NUMBER	DATE	BY	APVD
*	*	*	*	*
REVISIONS				

UNLESS OTHERWISE SPECIFIED  
 1. ALL DIMENSIONS IN INCHES [mm]  
 - TWO PLACE DECIMALS ±0.02 [0.5]  
 - THREE PLACE DECIMALS ±0.005 [0.13]

**DO NOT SCALE DRAWING**

THIS DRAWING DESCRIBES A DESIGN CONSIDERED PROPRIETARY IN NATURE, DEVELOPED AND MANUFACTURED BY SWITCHCRAFT INC. AND IS RELEASED ON A CONFIDENTIAL BASIS FOR IDENTIFICATION PURPOSES ONLY.									
SIZE	WIDTH	MULT	LBS/M	TEMPER					
*	*	*	*	*					
FINISH					MATERIAL				
SPEC No.					SPEC No.				
FIRST USED ON					SCALE				
*					2:1				
DATE DRAWN	BY	CHKD	APVD	Switchcraft®					
11/23/16	AB	AB	*	SHEET 1 OF 1					
		11/23/16	*	PART No. CARAEN2C2F07990					
NAME EN2C2F20 RIGHT ANGLE, ON 79" OF CABLE, RoHS				REV		0A			

## X-ON Electronics

Largest Supplier of Electrical and Electronic Components

*Click to view similar products for [Specialised Cables](#) category:*

*Click to view products by [Switchcraft](#) manufacturer:*

Other Similar products are found below :

[603PT6](#) [603SS6L](#) [604PT6](#) [604SS6](#) [706000D02F200](#) [910640](#) [1200740077](#) [1200740114](#) [AC172](#) [ACL-SSI-4](#) [R88ACAKA0015SRE](#)  
[R88ACAWL005SDE](#) [R88ACRGD0R3C](#) [1300150047](#) [1300660036](#) [1302262116](#) [1300150149](#) [1300220020](#) [1300220104](#) [1300220119](#)  
[1301240492](#) [1301810221](#) [1365323-1](#) [1613055](#) [176P12](#) [1971465-2](#) [20240400003](#) [20240400013](#) [2085828-1](#) [20886510030](#) [2-22733-8](#) [22733-](#)  
[8](#) [CB-5PSBC-RS](#) [CB-704EC-RS](#) [CB-BATACC-RS](#) [CB-JST3PSW-RS](#) [CB-M12COM-R10](#) [25AC84](#) [25AK84X](#) [25AU25](#) [25FN82](#) [3011-03](#)  
[AC118](#) [ACL-HHS-1M\(CAT5E\)](#) [SSL009PC2DC012N](#) [FC2A-KC6C](#) [2085828-2](#) [20886510150](#) [CCS-FCB-5](#) [CCSFCBF2](#)