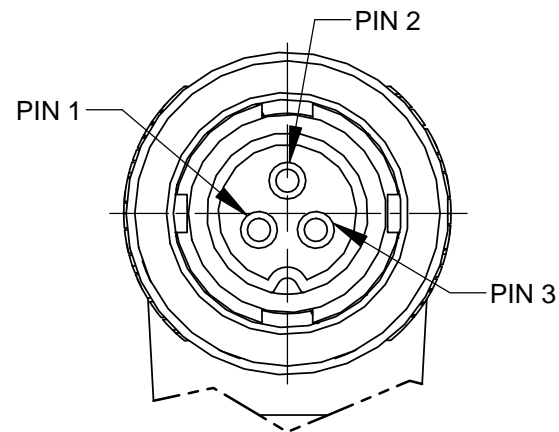


**EN2C3M20
RIGHT ANGLE OVERMOLDED**
OVERMOLD - BLACK THERMOPLASTIC RUBBER
CONNECTOR - BLACK THERMOPLASTIC, WITH INSERT
MOLDED BLACK THERMOPLASTIC RUBBER.
CONTACTS - COPPER ALLOY, GOLD PLATED

S.C.O



**EN2C3M20 VIEWED FROM
FRONT MATING
SIDE OF CONNECTOR
SCALE 3 : 1**

WIRING TABLE	
EN2C3M20	WIRE COLOR
PIN 1	BLACK
PIN 2	WHITE
PIN 3	GREEN

CUSTOMER DRAWING

NOTES:

1. THIS PRODUCT IS RoHS COMPLIANT.

					THIS DRAWING DESCRIBES A DESIGN CONSIDERED PROPRIETARY IN NATURE, DEVELOPED AND MANUFACTURED BY SWITCHCRAFT INC. AND IS RELEASED ON A CONFIDENTIAL BASIS FOR IDENTIFICATION PURPOSES ONLY.						
UNLESS OTHERWISE SPECIFIED					SIZE *	WIDTH *	MULT *	LBS/M *	TEMPER *		
1. ALL DIMENSIONS IN INCHES [mm]					FINISH *				MATERIAL *		
- TWO PLACE DECIMALS ±0.02 [0.5]					SPEC No. *				MATERIAL SPEC No. *		
- THREE PLACE DECIMALS ±0.005 [0.13]					FIRST USED ON *		SCALE 1:1				
					DATE DRAWN	BY	CHKD	APVD			
					11/23/16	AB	AB	*			
					11/23/16			*			
REV	ECO NUMBER	DATE	BY	APVD	NAME EN2C3M20 RIGHT ANGLE, ON 79" OF CABLE, RoHS				PART No. CARAEN2C3M07990	REV 0A	
REVISIONS					DO NOT SCALE DRAWING					SHEET 1 OF 1	

X-ON Electronics

Largest Supplier of Electrical and Electronic Components

Click to view similar products for [Specialised Cables](#) category:

Click to view products by [Switchcraft](#) manufacturer:

Other Similar products are found below :

[603PT6](#) [603SS6L](#) [604PT6](#) [604SS6](#) [706000D02F200](#) [910640](#) [1200740077](#) [1200740114](#) [AC172](#) [ACL-SSI-4](#) [R88ACAKA0015SRE](#)
[R88ACAWL005SDE](#) [R88ACRGD0R3C](#) [1300150047](#) [1300660036](#) [1302262116](#) [1300150149](#) [1300220020](#) [1300220104](#) [1300220119](#)
[1301240492](#) [1301810221](#) [1365323-1](#) [1613055](#) [176P12](#) [1971465-2](#) [20240400003](#) [20240400013](#) [2085828-1](#) [20886510030](#) [2-22733-8](#) [22733-](#)
[8](#) [CB-5PSBC-RS](#) [CB-704EC-RS](#) [CB-BATACC-RS](#) [CB-JST3PSW-RS](#) [CB-M12COM-R10](#) [25AC84](#) [25AK84X](#) [25AU25](#) [25FN82](#) [3011-03](#)
[AC118](#) [ACL-HHS-1M\(CAT5E\)](#) [SSL009PC2DC012N](#) [FC2A-KC6C](#) [2085828-2](#) [20886510150](#) [CCS-FCB-5](#) [CCSFCBF2](#)