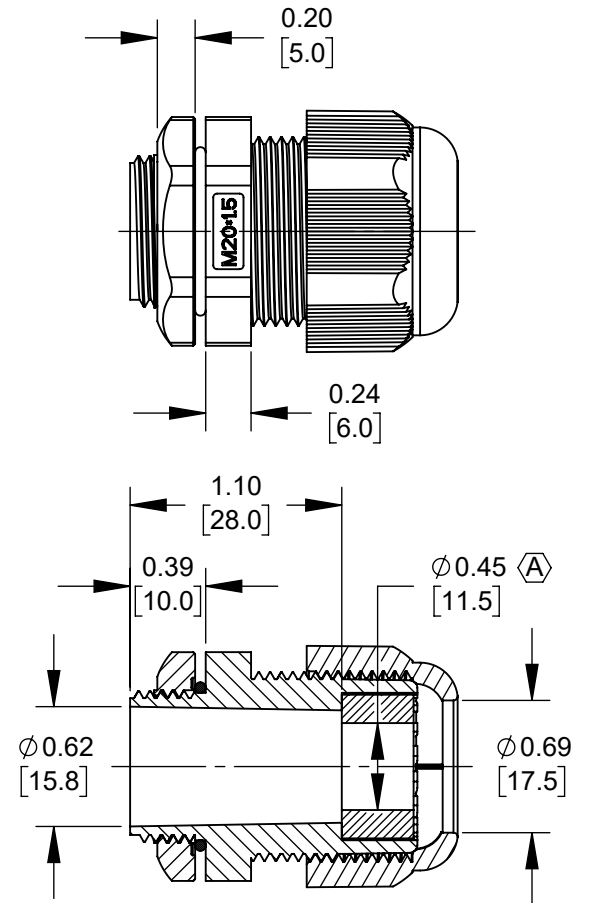
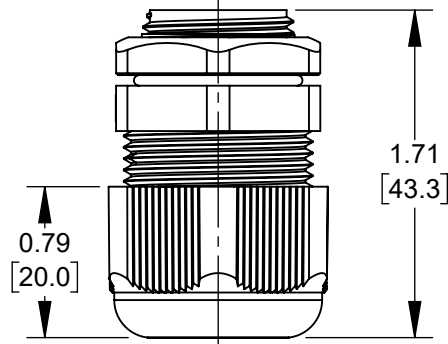
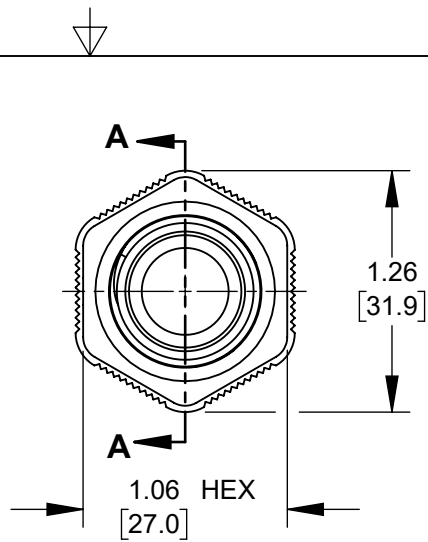


**NOTES:**

1. CABLE RANGE:  $\phi 0.217-0.441$  [5.5-11.2].
2. RECOMMENDED MOUNTING HOLE:  $\phi 0.813$  [20.64].
- Ⓑ 3. IP68 RATED WHEN PROPERLY ASSEMBLED. IMMERSED IN 1.8M WATER FOR 24 HOURS.
4. ALL PARTS SHIPPED ASSEMBLED.
5. MATERIALS:  
SEAL NUT, CLAMP NUT, HEX NUT - BLACK, THERMOPLASTIC UL746C (F1) UV RATED  
O-RING AND SEAL RING - BLACK, SILICONE. Ⓒ
6. THIS PRODUCT IS RoHS COMPLIANT.



**SECTION A-A**

**CUSTOMER DRAWING**

					THIS DRAWING DESCRIBES A DESIGN CONSIDERED PROPRIETARY IN NATURE, DEVELOPED AND MANUFACTURED BY SWITCHCRAFT INC. AND IS RELEASED ON A CONFIDENTIAL BASIS FOR IDENTIFICATION PURPOSES ONLY.					
					SIZE	WIDTH	MULT	LBS/M	TEMPER	
					UNLESS OTHERWISE SPECIFIED			FINISH		
					1. ALL DIMENSIONS IN INCHES [mm]			MATERIAL		
					- TWO PLACE DECIMALS ±0.02 [0.5]			SPEC No.		
					- THREE PLACE DECIMALS ±0.005 [0.13]			FIRST USED ON		
C	28375	03/30/21	PC	TJK	SCALE 1:1					
B	28315	09/09/20	PC	TJK	DATE DRAWN	BY	CHKD			APVD
A	28308	07/31/20	PC	TJK	5/4/20	FM	FM			TJK
REV	ECO NUMBER	DATE	BY	APVD	NAME			REV	SHEET 1 OF 1	
REVISIONS					DO NOT SCALE DRAWING			PART No.		
					M20 X 1.5 CABLE GLAND, CABLE RANGE Ø5.5 - 11.2mm			CGM20N44		
								REV C		



## X-ON Electronics

Largest Supplier of Electrical and Electronic Components

*Click to view similar products for [Cable Glands, Strain Reliefs & Cord Grips](#) category:*

*Click to view products by [Switchcraft](#) manufacturer:*

Other Similar products are found below :

[1300980012](#) [1300980105](#) [DBZM-6828](#) [1498](#) [15190-103 R2](#) [300623](#) [07402002](#) [VC-M-KV-PG16 1X3/1X8](#) [5525](#) [35935](#) [35882](#) [M4340GAE](#)  
[4597](#) [NG-9516 Gasket](#) [52006157](#) [52006176](#) [BM4963L](#) [53629556](#) [53629570](#) [53629675](#) [52025230](#) [52024853](#) [52103160](#) [52115810](#)  
[53017640](#) [53019051](#) [53112270](#) [53112330](#) [53112860](#) [53112879](#) [53112929](#) [53111470](#) [53015270](#) [53015090](#) [53018090](#) [PG-29](#) [36680](#) [36681](#)  
[36550](#) [35226](#) [35228](#) [36382](#) [36310](#) [35231](#) [36818](#) [36302](#) [36827](#) [37102-90](#) [35203](#) [35098](#)