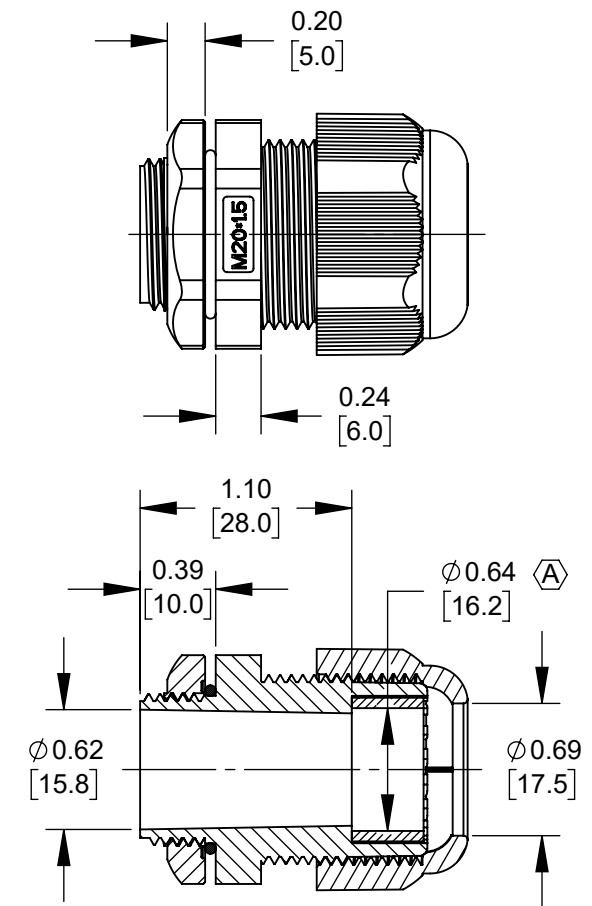
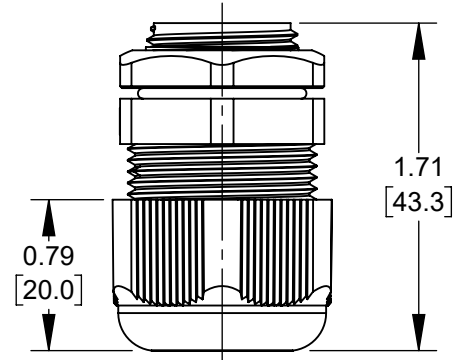
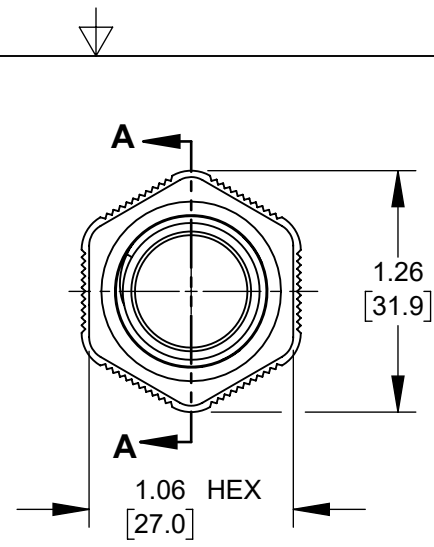


- NOTES:
1. CABLE RANGE:  $\varnothing 0.315-0.630$  [8.0-16.0].
  2. RECOMMENDED MOUNTING HOLE:  $\varnothing 0.813$  [20.64].
  3. IP68 RATED WHEN PROPERLY ASSEMBLED. IMMERSED IN 1.8M WATER FOR 24 HOURS.
  4. ALL PARTS SHIPPED ASSEMBLED.
  5. MATERIALS:  
 SEAL NUT, CLAMP NUT, HEX NUT - BLACK, THERMOPLASTIC UL746C (F1) UV RATED  
 O-RING AND SEAL RING - BLACK, SILICONE.
  6. THIS PRODUCT IS RoHS COMPLIANT.



**SECTION A-A**

**CUSTOMER DRAWING**

					THIS DRAWING DESCRIBES A DESIGN CONSIDERED PROPRIETARY IN NATURE, DEVELOPED AND MANUFACTURED BY SWITCHCRAFT INC. AND IS RELEASED ON A CONFIDENTIAL BASIS FOR IDENTIFICATION PURPOSES ONLY.					
					SIZE	WIDTH	MULT	LBS/M	TEMPER	
					FINISH			MATERIAL		
					SPEC No.			SPEC No.		
					FIRST USED ON		SCALE 1:1			
C	28375	03/30/21	PC	TJK	DATE DRAWN	BY	CHKD	APVD	Switchcraft®	
B	28315	09/09/20	PC	TJK	5/4/20	FM	FM	TJK		
A	28308	07/31/20	PC	TJK			5/4/20	7/10/20		
REV	ECO NUMBER	DATE	BY	APVD	NAME M20 X 1.5 CABLE GLAND, CABLE RANGE Ø8.0 - 16.0mm				REV	
REVISIONS					DO NOT SCALE DRAWING				REV	C
					PART No. CGM20N63					

## X-ON Electronics

Largest Supplier of Electrical and Electronic Components

*Click to view similar products for [Cable Glands, Strain Reliefs & Cord Grips](#) category:*

*Click to view products by [SWITCHCRAFT](#) manufacturer:*

Other Similar products are found below :

[1218](#) [1300980012](#) [1300980105](#) [DBZM-6828](#) [1498](#) [915](#) [300623](#) [5632NM](#) [1124](#) [1151](#) [561-MP6P4WH](#) [5534M](#) [5525](#) [9000005073](#) [52104486](#)  
[5315817](#) [N16 025 0112 1](#) [N16 020 0112 1](#) [M6106](#) [7422](#) [NG-9516 Gasket](#) [N16 016 0112 1](#) [NG-9514 Gasket](#) [52006151](#) [2704](#) [BM4940L](#)  
[BM4950L](#) [1.097.2012.50](#) [1.152.1300.01](#) [1.152.2000.50](#) [1.152.2100.01](#) [1.152.2500.50](#) [1.152.4000.50](#) [1.209.1218.70](#) [1.209.6400.71](#)  
[1.609.1100.01](#) [1.609.2900.15](#) [1.609.3200.52](#) [1.609.3600.15](#) [1.609.5000.51](#) [1.676.2500.50](#) [52103150](#) [53112705](#) [53112715](#) [53112735](#)  
[53119073](#) [54115405](#) [52004120](#) [52001894](#) [53018160](#)