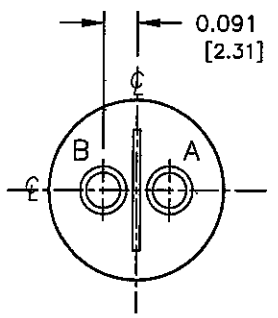
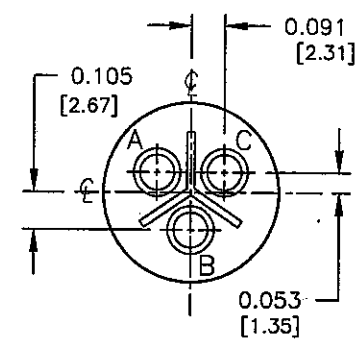


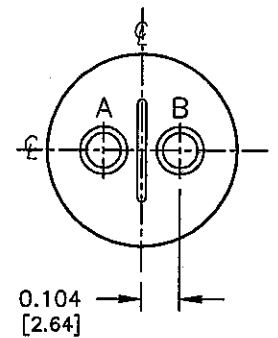
MFG. ENG. *John* 2/17/05



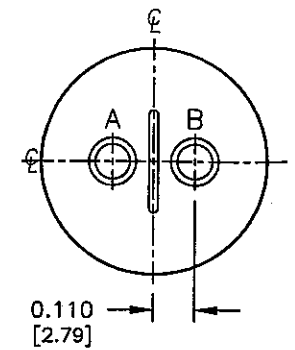
SIZE: 10SL-4
2-#16 CONTACTS



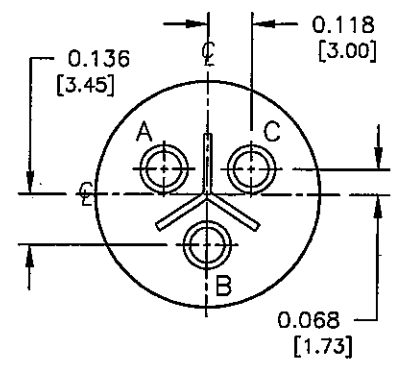
SIZE: 10SL-3
3-#16 CONTACTS



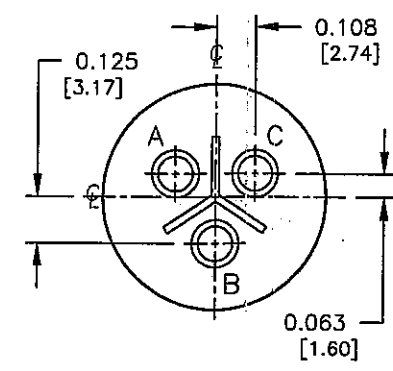
SIZE: 12S-3
2-#16 CONTACTS



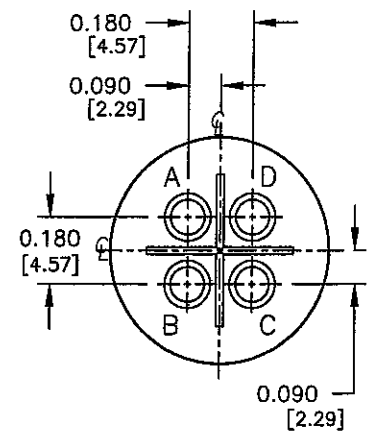
SIZE: 14S-9
2-#16 CONTACTS



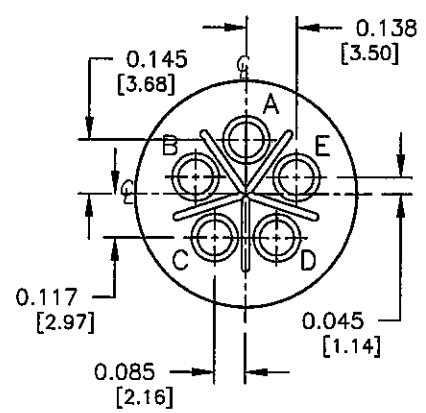
SIZE: 14S-1
3-#16 CONTACTS



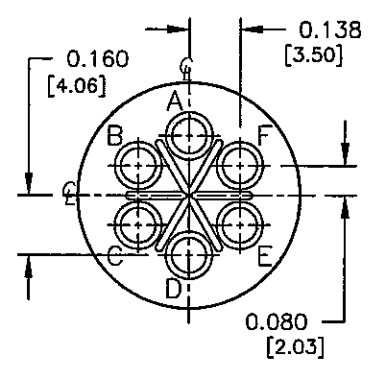
SIZE: 14S-7
3-#16 CONTACTS



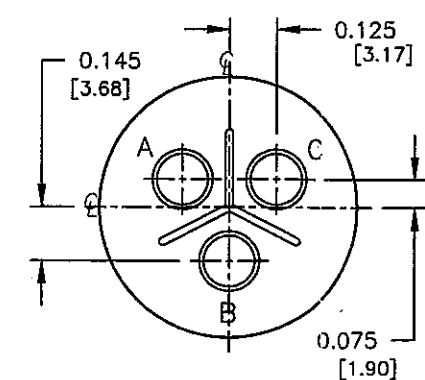
SIZE: 14S-2
4-#16 CONTACTS



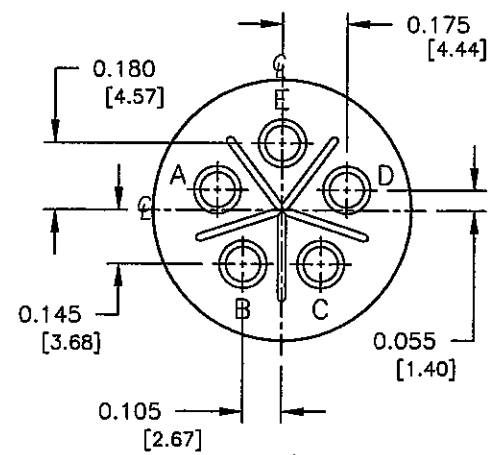
SIZE: 14S-5
5-#16 CONTACTS



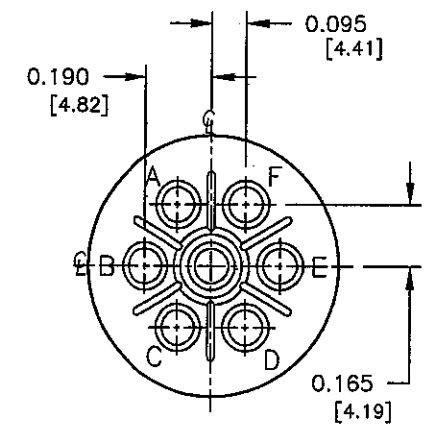
SIZE: 14S-6
6-#16 CONTACTS



SIZE: 16-10
3-#12 CONTACTS



SIZE: 16S-8
5-#16 CONTACTS



SIZE: 16S-1
7-#16 CONTACTS

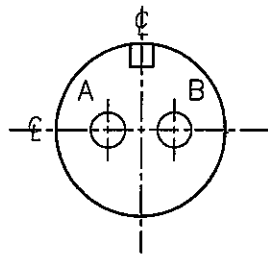
WIRE VIEWS
(FOR PIN CONTACTS)

COPY

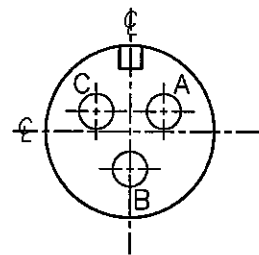
PART NUMBER: HPMQSTD

A	RCS	11-12-03	CREATED DRAWING PER ECR #2672
REV.	INIT.	DATE	DESCRIPTION
			ORIG. DRAWN BY: RCS DATE: 11-12-03
ALL INFORMATION ILLUSTRATED IS THE PROPERTY OF CONNELL CORPORATION. UNAUTHORIZED DUPLICATION OR DISTRIBUTION OF THIS DOCUMENT IS PROHIBITED.			
ALL UNITS ARE IN FEET, INCHES, FRACTION OF INCHES AND DECIMALS.			
UNLESS OTHERWISE SPECIFIED TOLERANCES: 3 PLACE DECIMALS ±.005 ANGLES ±1° FRACTIONS ±1/16			601 E. WILLOW VILLA PARK, IL 60181
APPROVED BY: <i>John</i> 2/17/05			TITLE: HOLE PATTERNS MIL-E-QUAL SIZES: 10SL, 12S, 14S, 16 & 16S
FILE: HPMQSTDH1			CUSTOMER:
DIRECTORY: DETAILS			PART NUMBER: HPMQSTD
			REV. A

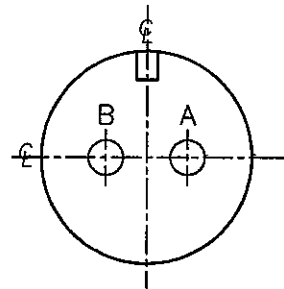
MFG. APPROVED BY: DATE:
 ENG. *Rahn* 2/17/05



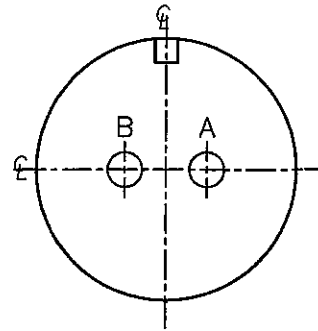
SIZE: 10SL-4
 2-#16 CONTACTS



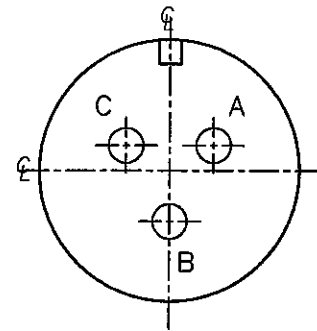
SIZE: 10SL-3
 3-#16 CONTACTS



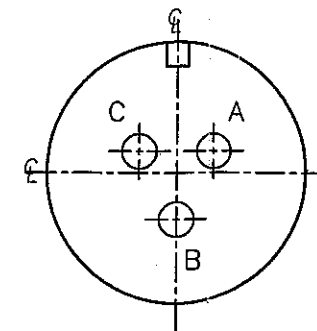
SIZE: 12S-3
 2-#16 CONTACTS



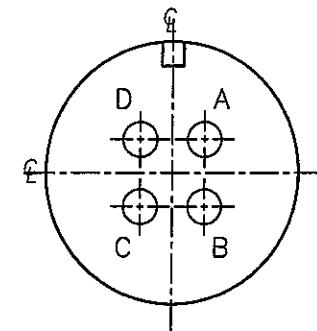
SIZE: 14S-9
 2-#16 CONTACTS



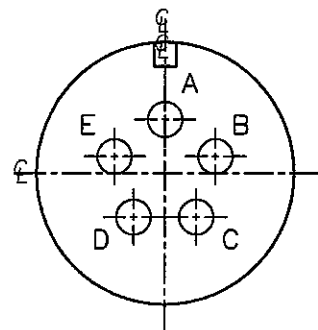
SIZE: 14S-1
 3-#16 CONTACTS



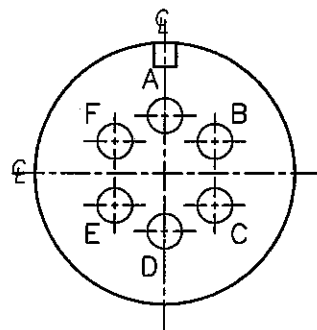
SIZE: 14S-7
 3-#16 CONTACTS



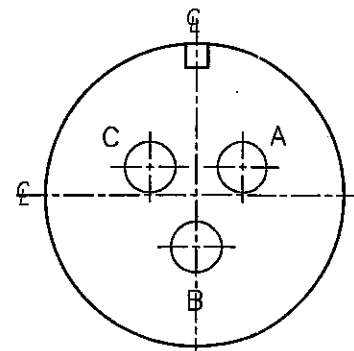
SIZE: 14S-2
 4-#16 CONTACTS



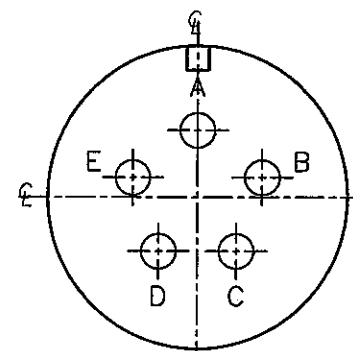
SIZE: 14S-5
 5-#16 CONTACTS



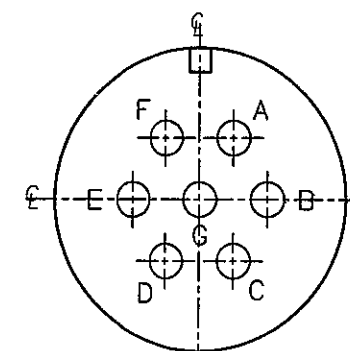
SIZE: 14S-6
 6-#16 CONTACTS



SIZE: 16-10
 3-#12 CONTACTS



SIZE: 16S-8
 5-#16 CONTACTS



SIZE: 16S-1
 7-#16 CONTACTS

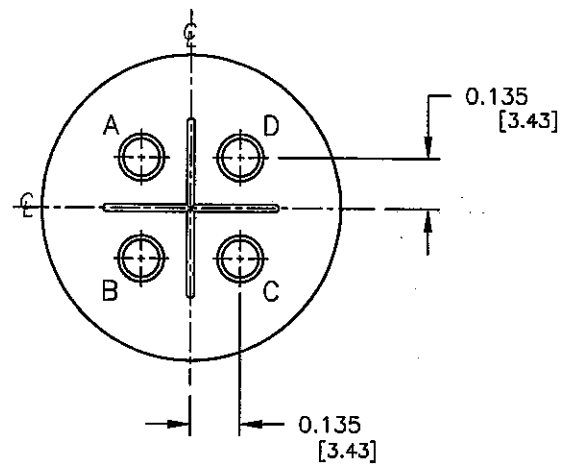
FACE VIEWS
 (FOR PIN CONTACTS)

COPY

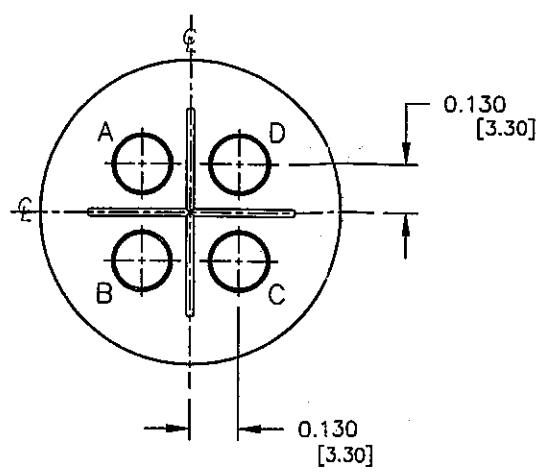
PART NUMBER: HPMQSTD

A	RCS	11-12-03	CREATED DRAWING PER ECR #2672
REV.	INIT.	DATE	DESCRIPTION
<small>ALL INFORMATION ILLUSTRATED IS THE PROPERTY OF "CONNALL CORPORATION." UNAUTHORIZED DUPLICATION OR DISTRIBUTION OF THIS DOCUMENT IS PROHIBITED.</small>			<small>ORIG. DRAWN BY: DATE:</small> RCS 11-12-03
<small>ALL UNITS ARE IN FEET, INCHES, FRACTION OF INCHES AND DECIMALS.</small>			
<small>UNLESS OTHERWISE SPECIFIED TOLERANCES: 3 PLACE DECIMALS ±.005 ANGLES ±1° FRACTIONS ±1/16</small>			
<small>CRITICAL CHARACTERISTIC FLAG PER SPEC. XXXX</small>			<small>CHECKED BY:</small> <i>Rahn</i> 2/17/05
<small>APPROVED BY:</small> <i>Rahn</i> 2/17/05			<small>601 E. WILDWOOD VILLA PARK, IL 60181</small>
SCALE	SIZE	SHEET	TITLE
NTS	B	2 OF 8	HOLE PATTERNS
FILE:	DIRECTORY:	PART NUMBER:	MIL-E-QUAL SIZES: 10SL, 12S, 14S, 16 & 16S
HPMQSTD	HPMQSTD	HPMQSTD	

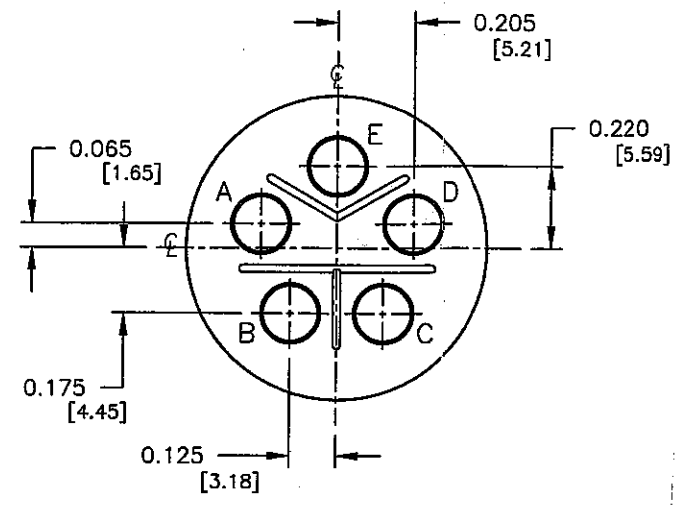
MFG. ENG. *Kahr* 2/17/05



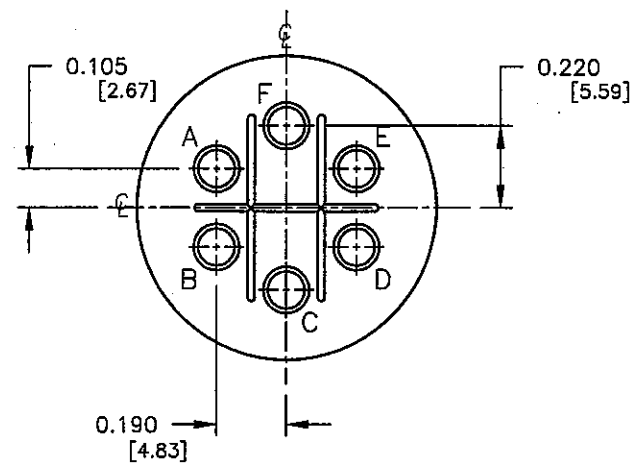
SIZE: 18-4
4-#16 CONTACTS



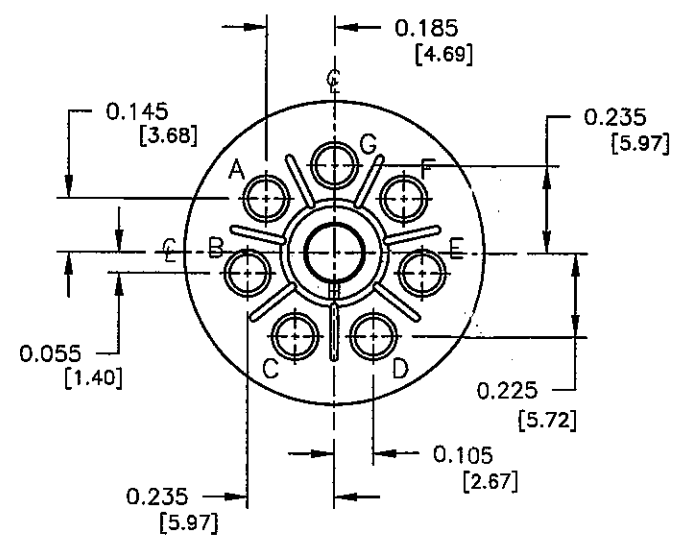
SIZE: 18-10
4-#12 CONTACTS



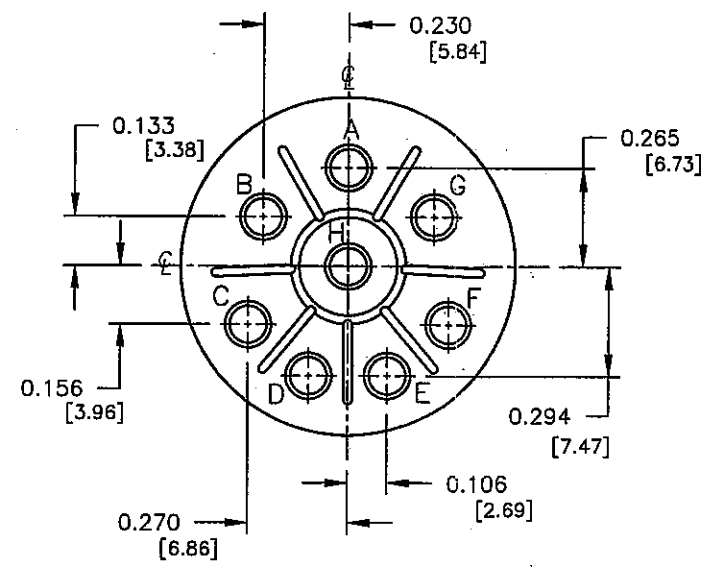
SIZE: 18-11
5-#12 CONTACTS



SIZE: 18-12
6-#16 CONTACTS



SIZE: 18-8
7-#16 CONTACTS
1-#12 CONTACTS



SIZE: 20-7
8-#16 CONTACTS

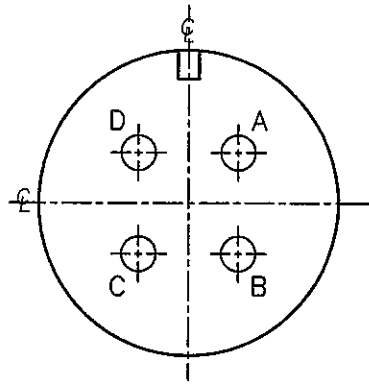
COPY

WIRE VIEWS
(FOR PIN CONTACTS)

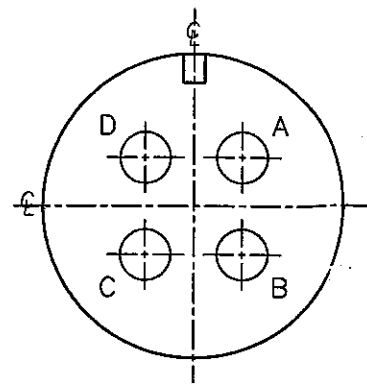
PART NUMBER: HPMQSTD

A	RCS	11-12-03	CREATED DRAWING PER ECR #2672
REV.	INIT.	DATE	DESCRIPTION
			ALL INFORMATION ILLUSTRATED IS THE PROPERTY OF CONZALL CORPORATION. UNAUTHORIZED DUPLICATION OR DISTRIBUTION OF THIS DOCUMENT IS PROHIBITED.
			ORIG. DRAWN BY: RCS DATE: 11-12-03
			CHECKED BY: <i>Kahr</i> 2/17/05
			APPROVED BY: <i>Kahr</i> 2/17/05
			ALL UNITS ARE IN FEET, INCHES, FRACTION OF INCHES AND DECIMALS.
			UNLESS OTHERWISE SPECIFIED: TOLERANCES: 3 PLACE DECIMALS ±.005 ANGLES ±1° FRACTIONS ±1/16
			▷ = CRITICAL CHARACTERISTIC FLAG PER SPEC. XXXX
			SCALE: NTS SIZE: B SHEET: 3 OF 8
			FILE: HPMQSTD SH3 DIRECTORY: DETAILS
			CUSTOMER: 601 E. WILDWOOD VILLA PARK, IL 60181
			TITLE: HOLE PATTERNS MIL-E-QUAL SIZES: 18 & 20
			PART NUMBER: HPMQSTD REV. A

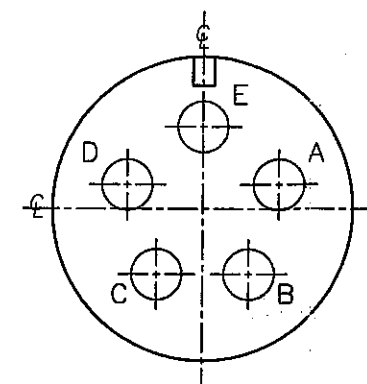
MFG. ENG. *Calvin* 2/17/05



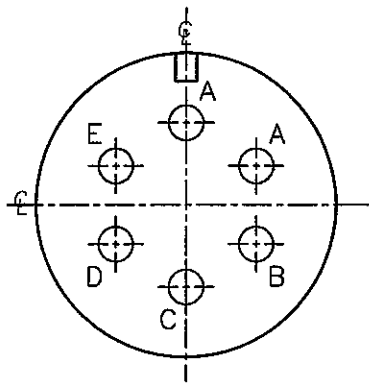
SIZE: 18-4
4-#16 CONTACTS



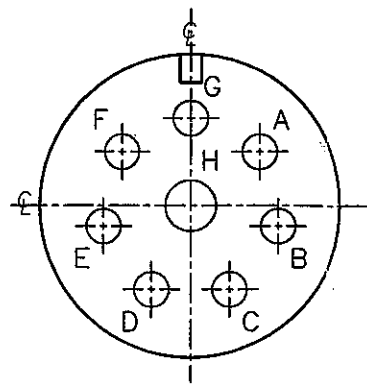
SIZE: 18-10
4-#12 CONTACTS



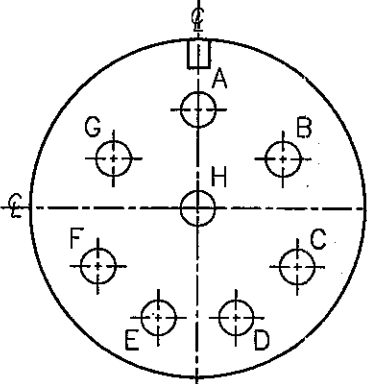
SIZE: 18-11
5-#12 CONTACTS



SIZE: 18-12
6-#16 CONTACTS



SIZE: 18-8
7-#16 CONTACTS
1-#12 CONTACTS



SIZE: 20-7
8-#16 CONTACTS

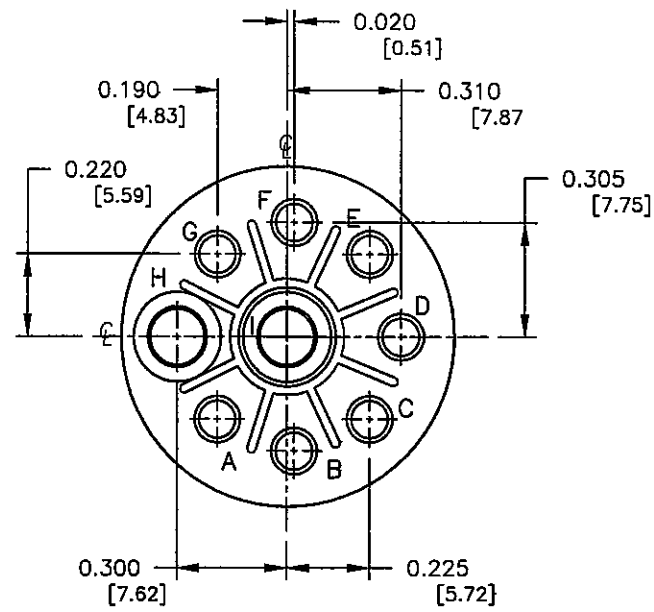
FACE VIEWS
(FOR PIN CONTACTS)

COPY

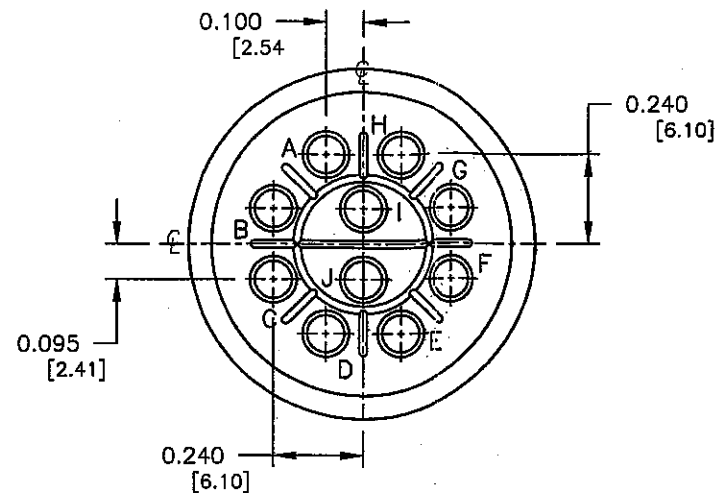
PART NUMBER: HPMQSTD

A	RCS	11-12-03	CREATED DRAWING PER ECR #2672
REV.	INIT.	DATE	DESCRIPTION
<small>ALL INFORMATION ILLUSTRATED IS THE PROPERTY OF CONZALL CORPORATION. UNAUTHORIZED DUPLICATION OR DISTRIBUTION OF THIS DOCUMENT IS PROHIBITED.</small>			<small>ORIG. DRAWN BY: DATE:</small> RCS 11-12-03
<small>ALL UNITS ARE IN FEET, INCHES, FRACTION OF INCHES AND DECIMALS.</small>			
<small>UNLESS OTHERWISE SPECIFIED TOLERANCES:</small> 3 PLACE DECIMALS ±.005 ANGLES ±1° FRACTIONS ±1/16			
<small>FILE: HPMQSTDSDH4</small>			<small>601 E. WILDWOOD VILLA PARK, IL 60181</small> <small>TITLE: HOLE PATTERNS MIL-E-QUAL SIZES: 18 & 20</small>
<small>▷ = CRITICAL CHARACTERISTIC FLAG PER SPEC. XXXX</small>			<small>CUSTOMER: PART NUMBER: HPMQSTD</small>
			<small>REV. A</small>

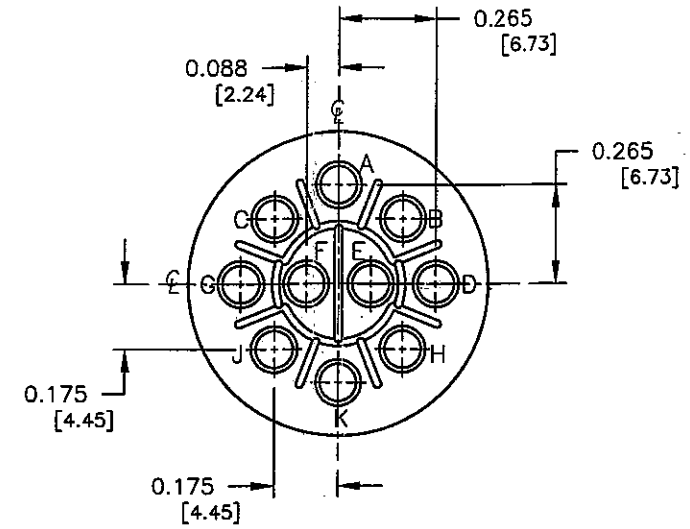
MFG. APPROVED BY: DATE:
 ENG. *Jahn* 2/17/05



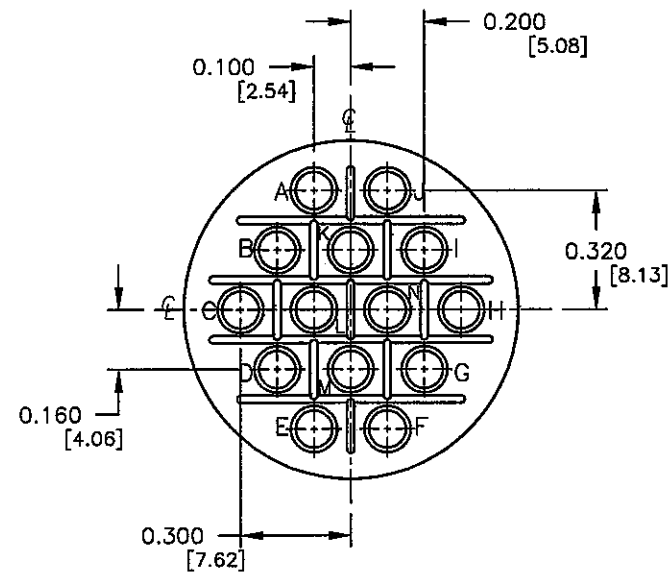
SIZE: 20-16
 7-#16 CONTACTS
 2-#12 CONTACTS



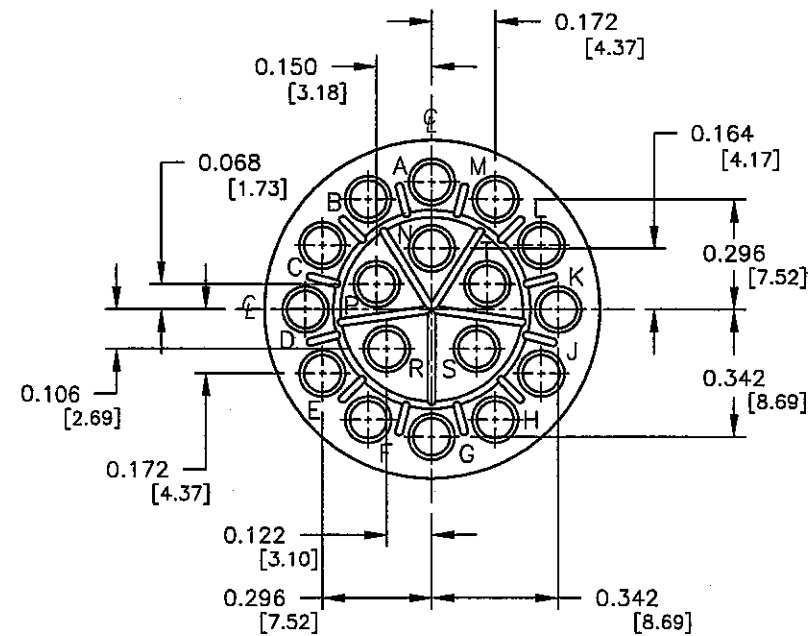
SIZE: 18-1
 10-#16 CONTACTS



SIZE: 18-19
 10-#16 CONTACTS



SIZE: 20-27
 14-#16 CONTACTS




SIZE: 20-29
 17-#16 CONTACTS

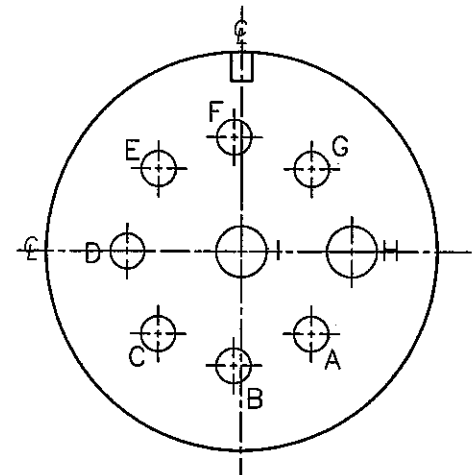
COPY

WIRE VIEWS
 (FOR PIN CONTACTS)

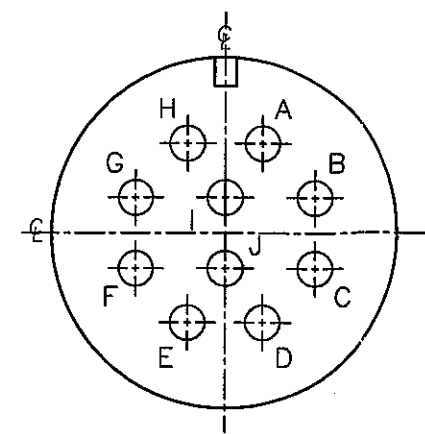
PART NUMBER: HPMQSTD

A	RCS	11-12-03	CREATED DRAWING PER ECR #2672
REV.	INIT.	DATE	DESCRIPTION
<small>ALL INFORMATION ILLUSTRATED IS THE PROPERTY OF CONXAL CORPORATION. UNAUTHORIZED DUPLICATION OR DISTRIBUTION OF THIS DOCUMENT IS PROHIBITED.</small>			<small>ORIG. DRAWN BY: DATE:</small> RCS 11-12-03
<small>ALL UNITS ARE IN FEET, INCHES, FRACTION OF INCHES AND DECIMALS.</small>			
<small>UNLESS OTHERWISE SPECIFIED TOLERANCES: 3 PLACE DECIMALS ±.005 ANGLES ±1° FRACTIONS ±1/16</small>			
SCALE	SIZE	SHEET	<small>601 E. WILDWOOD VILLA PARK, IL 60181</small> TITLE: HOLE PATTERNS MIL-E-QUAL SIZES: 18 & 20 CUSTOMER:
NTS	B	5 OF 8	<small>FILE: DIRECTORY: PART NUMBER: REV:</small> HPMQSTD SH5 DETAILS HPMQSTD A

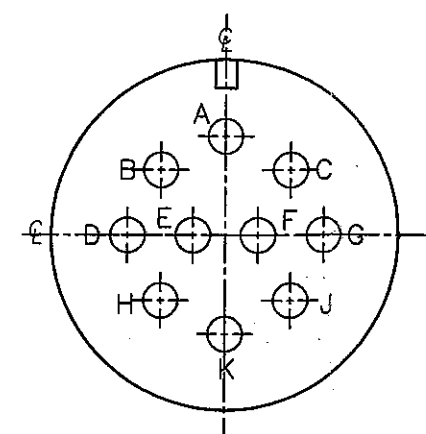
MFG. ENG. *gahr* APPROVED BY: DATE: 2/17/05



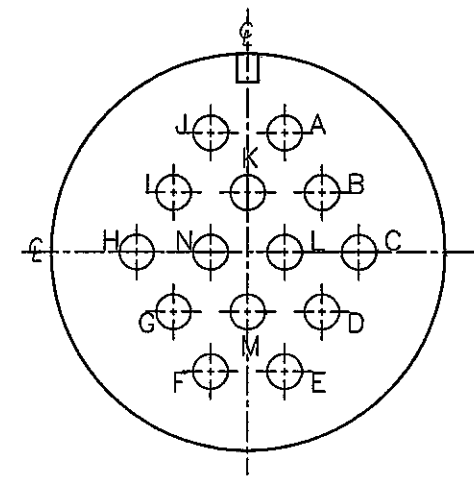
SIZE: 20-16
7-#16 CONTACTS
2-#12 CONTACTS



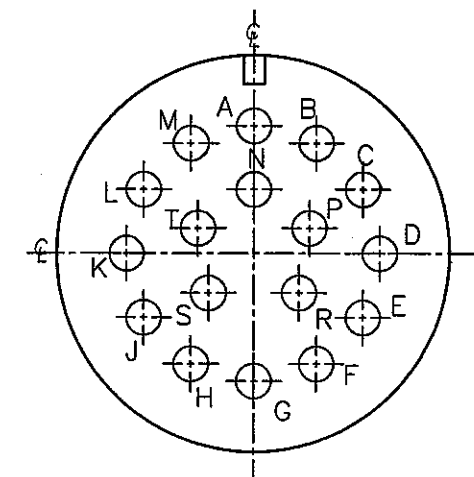
SIZE: 18-1
10-#16 CONTACTS



SIZE: 18-19
10-#16 CONTACTS



SIZE: 20-27
14-#16 CONTACTS



SIZE: 20-29
17-#16 CONTACTS

FACE VIEWS
(FOR PIN CONTACTS)

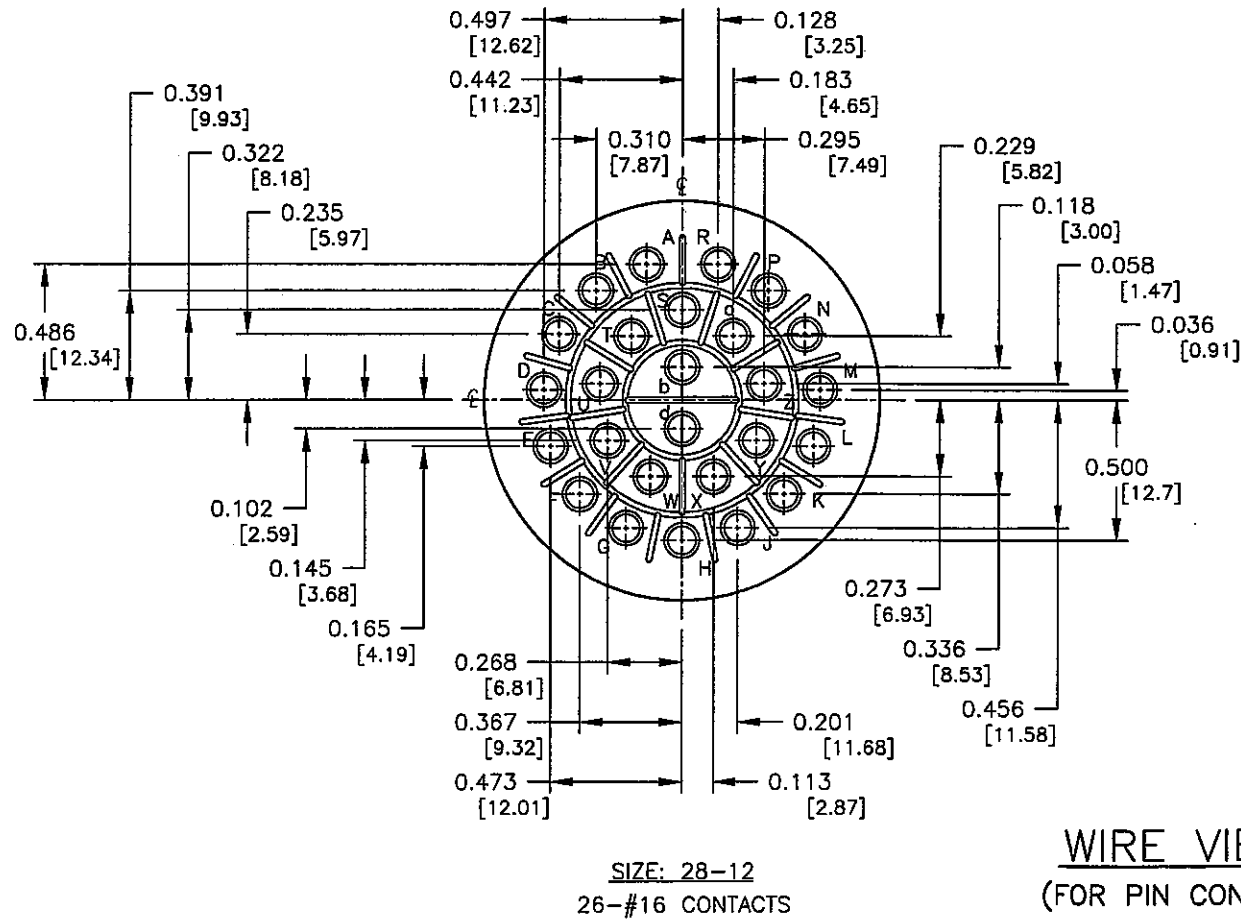
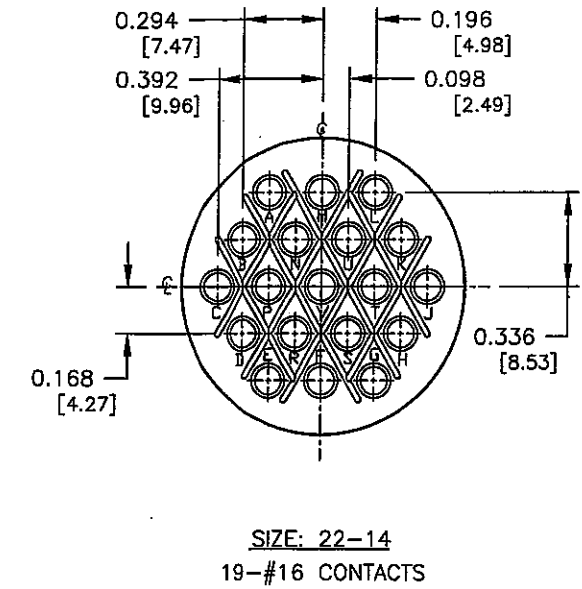
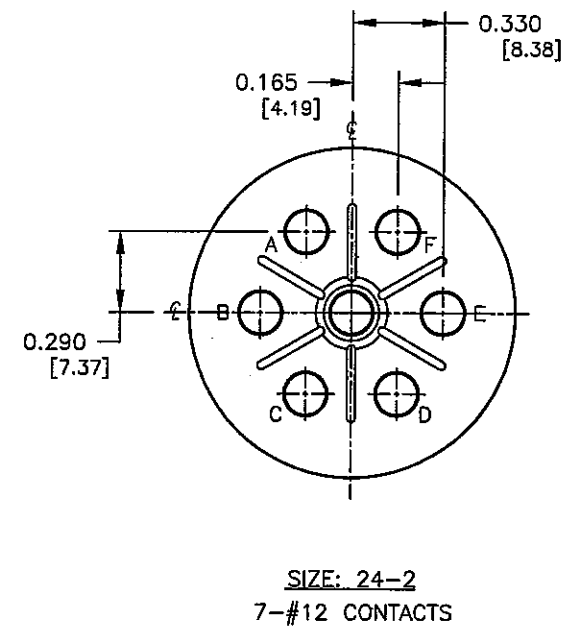
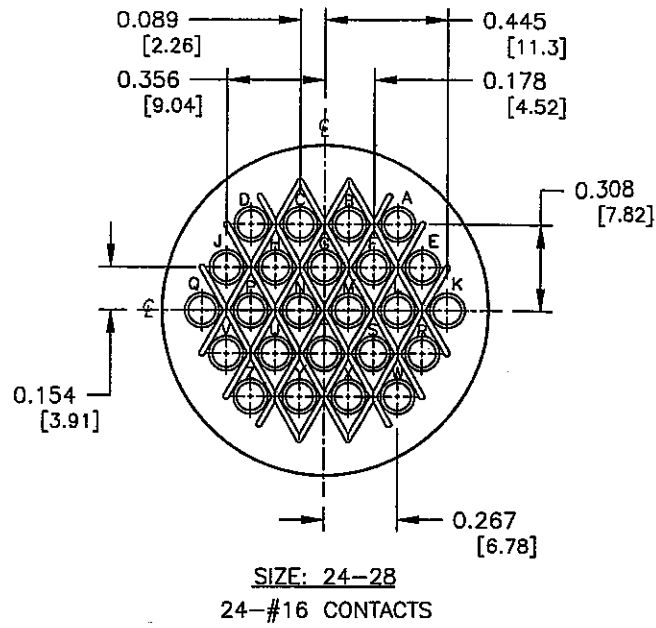
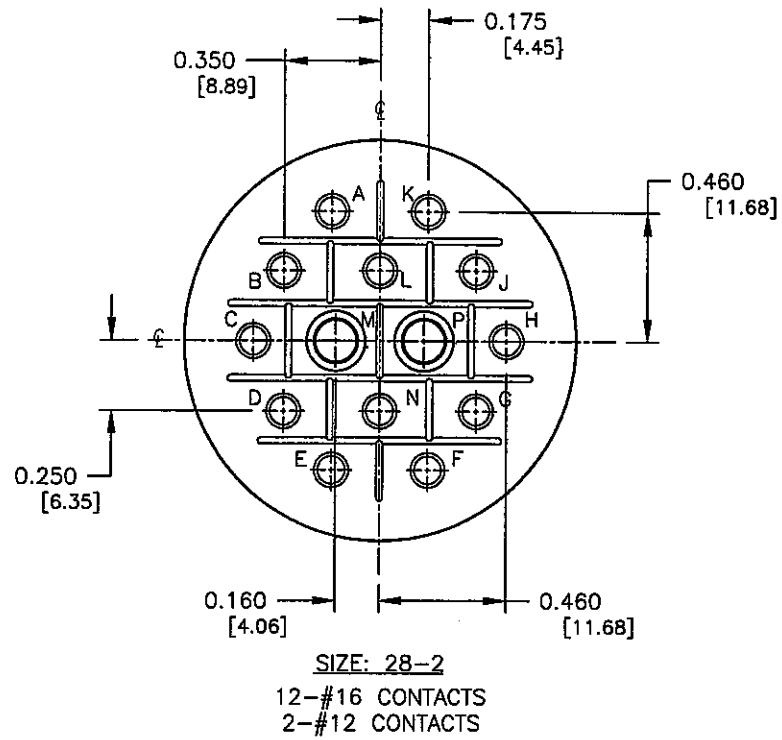
COPY

PART NUMBER: HPMQSTD

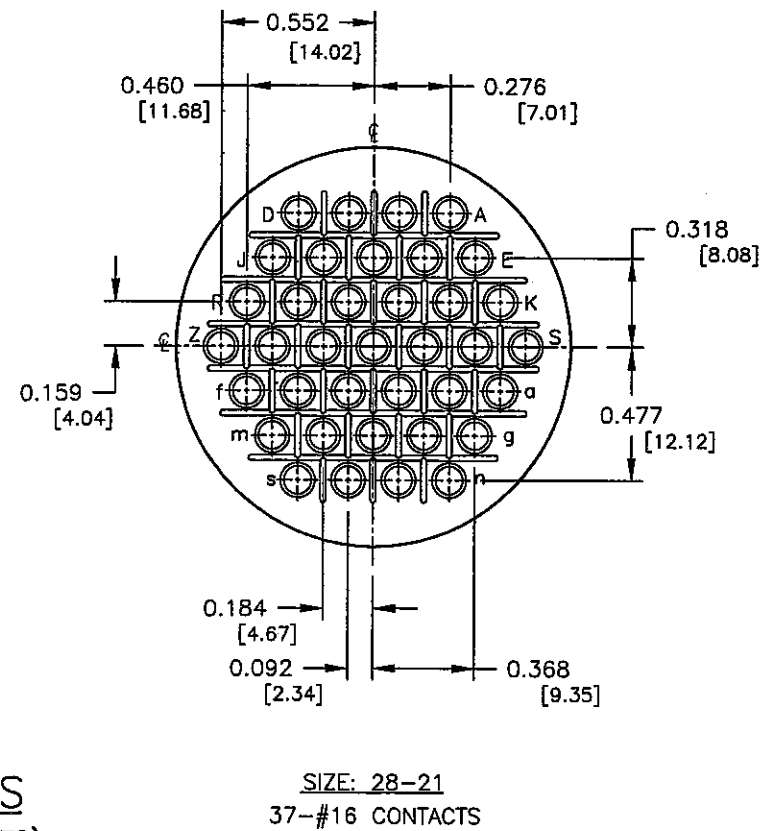
A	RCS	11-12-03	CREATED DRAWING PER ECR #2672
REV.	INIT.	DATE	DESCRIPTION
			ALL INFORMATION ILLUSTRATED IS THE PROPERTY OF CONXALL CORPORATION. UNAUTHORIZED DUPLICATION OR DISTRIBUTION OF THIS DOCUMENT IS PROHIBITED.
		ORIG. DRAWN BY: DATE: RCS 11-12-03	CONXALL 601 E. WILDWOOD VILLA PARK, IL 60181
		CHECKED BY: <i>gahr</i> 2/17/05	
		APPROVED BY: <i>gahr</i> 2/17/05	TITLE: HOLE PATTERNS MIL-E-QUAL SIZES: 18 & 20
		UNLESS OTHERWISE SPECIFIED TOLERANCES: 3 PLACE DECIMALS ±.005 ANGLES ±1° FRACTIONS ±1/16	SCALE: SIZE: SHEET B 6 OF 8
		FILE: HPMQSTD	DIRECTORY: HPMQSTD
		CRITICAL CHARACTERISTIC FLAG PER SPEC. XXXX	PART NUMBER: HPMQSTD
			REV. A

APPROVED BY: *John* DATE: 2/17/05
 MFG. ENG.

PART NUMBER: HPMQSTD



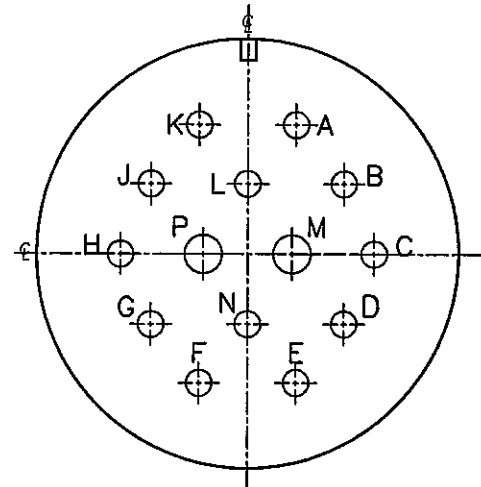
WIRE VIEWS
 (FOR PIN CONTACTS)



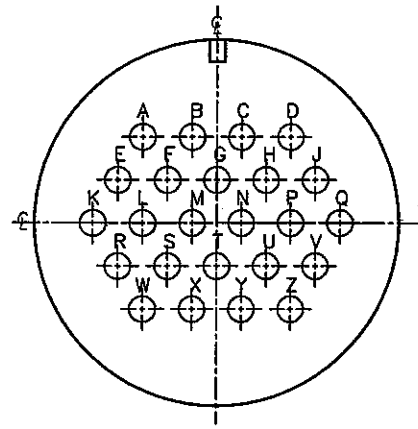
COPY

A	RCS	11-12-03	CREATED DRAWING PER ECR #2672
REV.	INIT.	DATE	DESCRIPTION
			ORIG. DRAWN BY: DATE: RCS 11-12-03
ALL INFORMATION ILLUSTRATED IS THE PROPERTY OF CONZALL CORPORATION. UNAUTHORIZED DUPLICATION OR DISTRIBUTION OF THIS DOCUMENT IS PROHIBITED.			CHECKED BY: <i>John</i> 2/17/05
ALL UNITS ARE IN FEET, INCHES, FRACTION OF INCHES AND DECIMALS.			APPROVED BY: <i>John</i> 2/17/05
UNLESS OTHERWISE SPECIFIED TOLERANCES:			601 E. WILDWOOD VILLA PARK, IL 60181
3 PLACE DECIMALS ±.005			TITLE: HOLE PATTERNS
ANGLES ±1°			MIL-E-QUAL
FRACTIONS ±1/16			SIZES: 22, 24 & 28
CRITICAL CHARACTERISTIC FLAG PER SPEC. XXXX			CUSTOMER:
FILE:	DIRECTORY:	PART NUMBER:	REV.:
HPMQSTD7	DETAILS	HPMQSTD	A

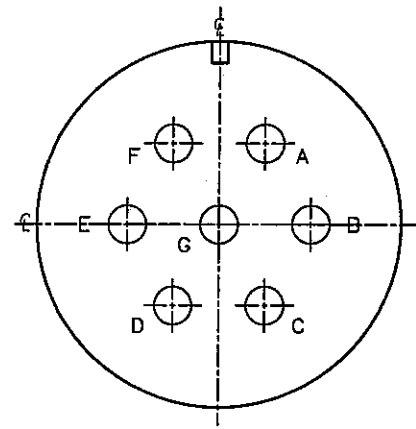
MFG. ENG. APPROVED BY: DATE: 5/14/15



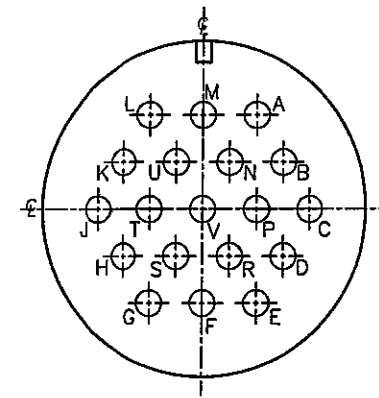
SIZE: 28-2
12-#16 CONTACTS
2-#12 CONTACTS



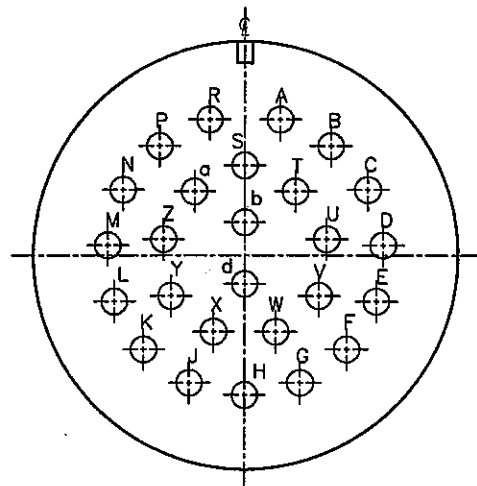
SIZE: 24-28
24-#16 CONTACTS



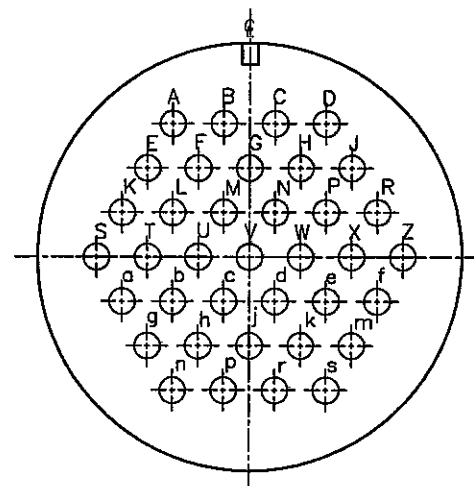
SIZE: 24-2
7-#12 CONTACTS



SIZE: 22-14
19-#16 CONTACTS



SIZE: 28-12
26-#16 CONTACTS



SIZE: 28-21
37-#16 CONTACTS

FACE VIEWS
(FOR PIN CONTACTS)

COPY

PART NUMBER: HPMQSTD

A	RCS	11-12-03	CREATED DRAWING PER ECR #2672
REV.	INIT.	DATE	DESCRIPTION
			ORIG. DRAWN BY: DATE: RCS 11-12-03
<small>ALL INFORMATION ILLUSTRATED IS THE PROPERTY OF CONXALL CORPORATION. UNAUTHORIZED DUPLICATION OR DISTRIBUTION OF THIS DOCUMENT IS PROHIBITED.</small>			
<small>ALL UNITS ARE IN FEET, INCHES, FRACTION OF INCHES AND DECIMALS. UNLESS OTHERWISE SPECIFIED TOLERANCES: 3 PLACE DECIMALS ±.005 ANGLES ±1° FRACTIONS ±1/16</small>			
<small>△ = CRITICAL CHARACTERISTIC FLAG PER SPEC. XXXX</small>		CHECKED BY: <i>2/17/05</i> APPROVED BY: <i>2/17/05</i>	601 E. WILDWOOD VILLA PARK, IL 60181 TITLE: HOLE PATTERNS MIL-E-QUAL SIZES: 22, 24 & 28
SCALE	SIZE	SHEET	CUSTOMER:
NTS	B	8 OF 8	PART NUMBER: HPMQSTD
FILE:	DIRECTORY:	PART NUMBER:	REV. A
HPMQSTD	DETAILS		

X-ON Electronics

Largest Supplier of Electrical and Electronic Components

Click to view similar products for [Standard Circular Connector](#) category:

Click to view products by [Switchcraft](#) manufacturer:

Other Similar products are found below :

[600273N007](#) [6134-336-13149](#) [6134-337-11149](#) [6134-337-2390](#) [6134-341-17149](#) [6280-4SG-516](#) [6280-7SG-3DC](#) [6282-2SG-315](#) [66200A-10](#)
[67-02E12-60PX](#) [680-SMG](#) [CXS3102A181S](#) [7251-5SG-300](#) [7282-3PG-300-CH3](#) [75-190218-10P](#) [75-190611-03S](#) [75-474014-05S](#) [75-474118-](#)
[10P](#) [75-474211-03P](#) [75-474218-19S](#) [75-474618-04P](#) [75-474618-04S](#) [75-474620-07P](#) [799539-000](#) [MI8-SE](#) [80-190222-18P](#) [805-005-07NF11-](#)
[19PC](#) [805-005-07NF15-7PA](#) [8280-7PG-519](#) [8282-5PG-519](#) [862256-1](#) [866857-1](#) [867865-1](#) [PT08P-14-19S](#) [PT08P-14-5S](#) [PT08P-8-3S](#)
[PTSF06SE-14-12S](#) [120-1833-000](#) [QCM019PC2DC012B](#) [121583-0217](#) [HEX40-AB-00-21-A9-1](#) [121667-0020](#) [RD10A16-19-P6CS051/1](#)
[RD16A14-12-S6CS051/2](#) [1301240347](#) [1301790476](#) [1301240268](#) [1301240275](#) [1301860183](#) [1301860906](#)