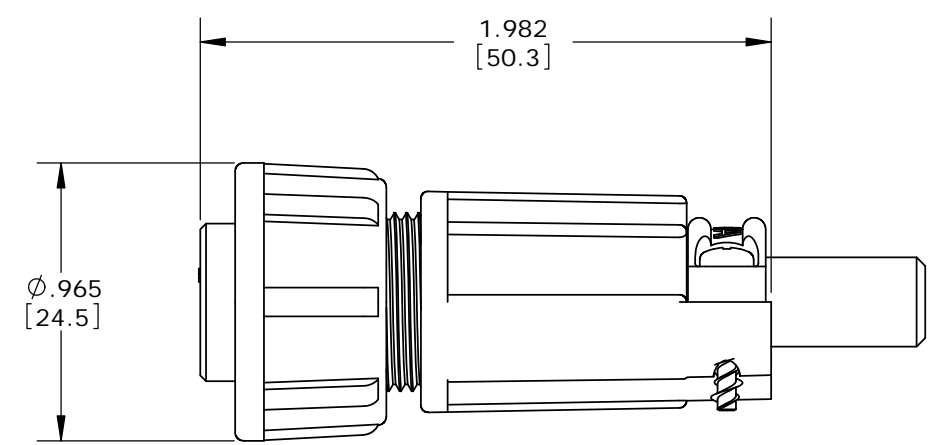
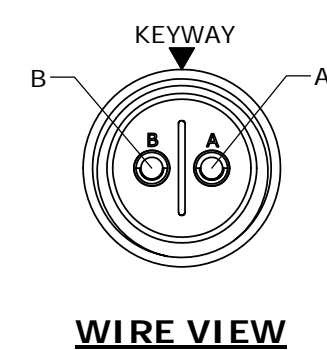
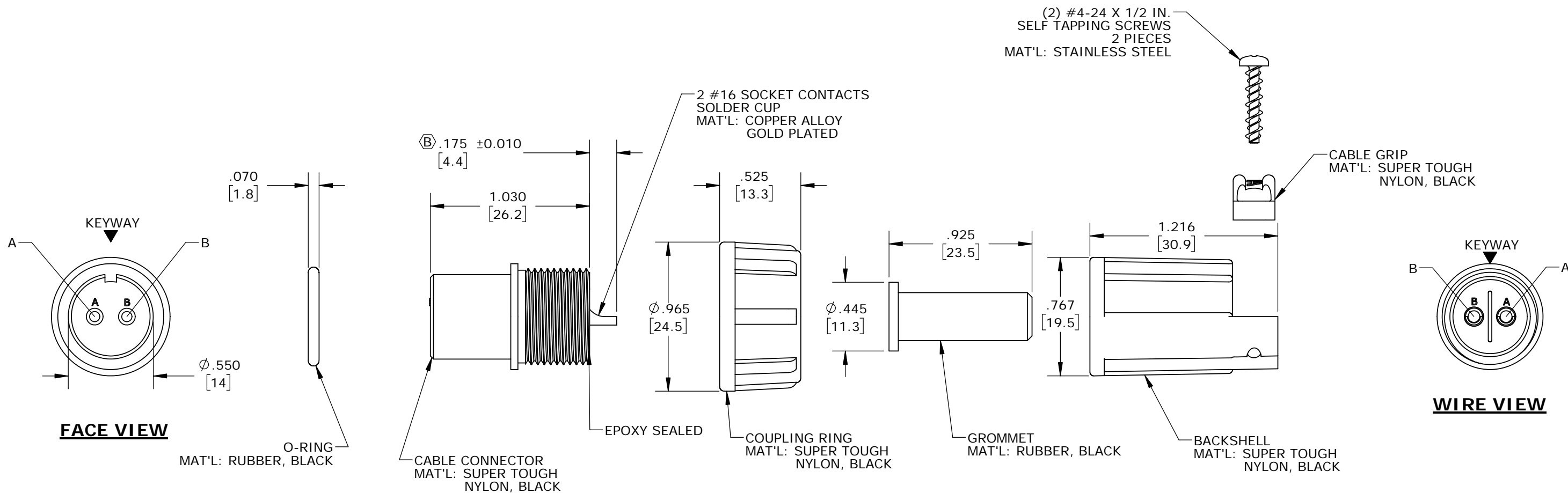


- NOTES:**
1. PARTS ARE PLACED IN A POLY BAG WITH LABEL.
 2. CONTACTS ARE INSERTED INTO CONNECTOR WITH SOLDER CUPS ALIGNED TOWARDS KEYWAY.
 3. TERMINATING END OF CONNECTOR IS SEALED WITH BLACK EPOXY.
 4. ALL DIMENSIONS ARE FOR REFERENCE ONLY.



KIT SHOWN ASSEMBLED
REFERENCE ONLY

CUSTOMER APPROVAL

THIS DOCUMENT CONTAINS CONFIDENTIAL INFORMATION PROPRIETARY TO CONXALL CORPORATION. ANY REPRODUCTION, DISCLOSURE, OR USE OF THIS DOCUMENT /INFORMATION IS EXPRESSLY PROHIBITED UNLESS AUTHORIZED IN WRITING BY CONXALL CORPORATION.

APPROVED BY: _____

DATE: _____

B	SS	02-14-20	ADDED DIM. .175 TO DRAWING PER ECR 8197 RELEASE #11
A	BZ	05-19-09	DRAWING CREATED PER DOR 09-E149SL
REV.	INIT.	DATE	DESCRIPTION
	BZ	05-19-09	ORIG. DRAWN BY: DATE: BZ 05-19-09
ALL INFORMATION ILLUSTRATED IS THE PROPERTY OF "CONXALL CORPORATION". UNAUTHORIZED DUPLICATION OR DISTRIBUTION OF THIS DOCUMENT IS PROHIBITED.			<p>601 E. WILDWOOD VILLA PARK, IL 60181</p>
ALL UNITS ARE IN FEET, INCHES, FRACTION OF INCHES AND DECIMALS.			
APPROVED BY:		TITLE: CABLE CONNECTOR ASSEMBLY	
SCALE: NTS		SIZE: B	SHEET: 1 OF 1
FILE: CXS3106A12S3S300		DIRECTORY: SLW	PART NUMBER: CXS3106A12S3S300
- CRITICAL CHARACTERISTIC FLAG PER SPEC. XXXX			REV: B

X-ON Electronics

Largest Supplier of Electrical and Electronic Components

Click to view similar products for [Standard Circular Connector](#) category:

Click to view products by [Switchcraft](#) manufacturer:

Other Similar products are found below :

[5M2530B10P](#) [600259N006](#) [600273N007](#) [6134-336-13149](#) [6134-337-11149](#) [6134-337-2390](#) [6134-341-17149](#) [6280-4SG-516](#) [6280-7SG-3DC](#)
[6290](#) [6291A](#) [66200A-10](#) [680-SMG](#) [681-PMG](#) [CXS3102A14S2P](#) [CXS3102A181S](#) [7271-6SG-300](#) [7282-3PG-300-CH3](#) [75-474014-05S](#) [75-](#)
[474618-01S](#) [75-474618-04P](#) [75-474618-04S](#) [799539-000](#) [MI8-SE](#) [805-005-07NF11-19PC](#) [805-005-07NF15-7PA](#) [8280-4PG-516](#) [8280-7PG-](#)
[519](#) [8282-5PG-519](#) [836783-1](#) [MP-4102-25P-C](#) [862256-1](#) [864019-2](#) [866857-1](#) [867865-1](#) [PT01SP-14-18P](#) [PT08P-14-5S](#) [120-1833-000](#)
[QCM019PC2DC012B](#) [1-2069279-1](#) [121583-0217](#) [121667-0020](#) [129591AU](#) [1000B BULK](#) [RD10A16-19-P6CS051/1](#) [RD10A20-31-](#)
[P8CS051/1](#) [RD16A14-12-S6CS051/2](#) [1301240290](#) [1301240347](#) [1301860202](#) [1301240268](#)