

FIGURE B

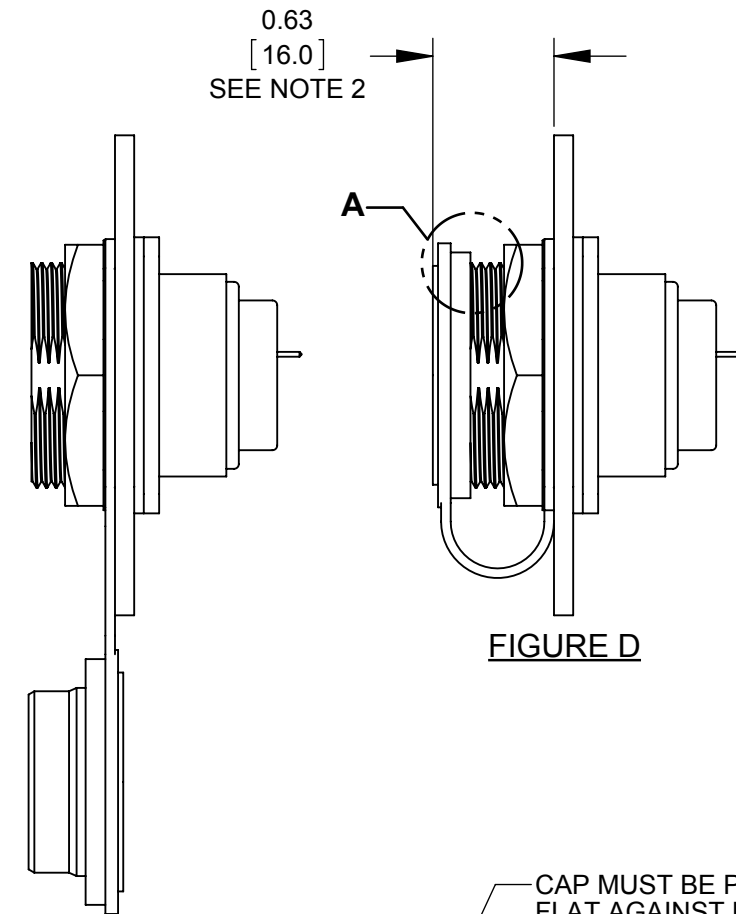
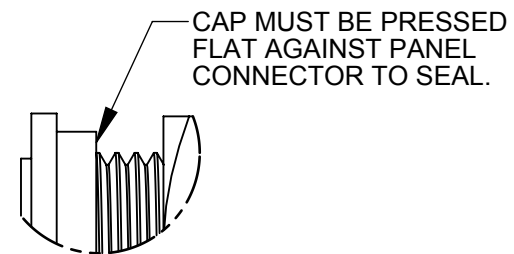
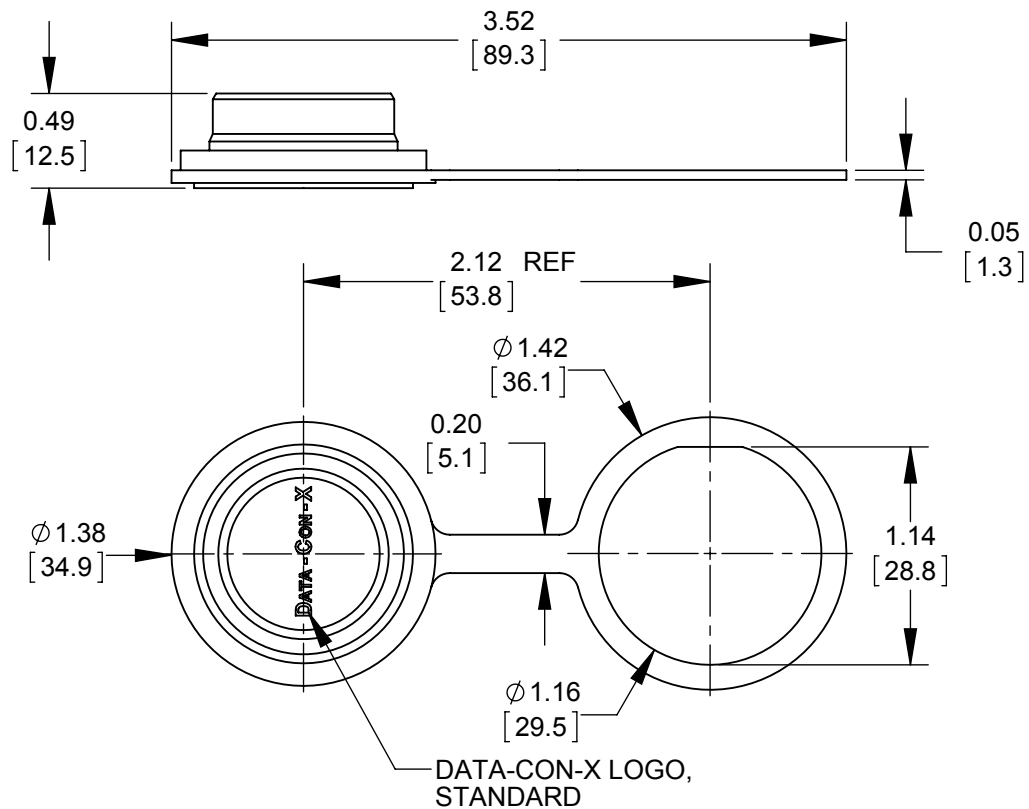


FIGURE C

FIGURE D



DETAIL A SCALE 2 : 1



DIMENSIONS SHOWN FOR REFERENCE ONLY

DIMENSIONS IN BRACKET [ ] ARE METRIC.

**RoHS COMPLIANT**

- NOTES:
- D24295-WA CONTAINS ONE SEAL CAP AND ONE FLAT WASHER.
  - THE DIMENSION DOES NOT INCLUDE GASKET COMPRESSION.
  - INSTALL SEAL CAP ON THE CONNECTOR AS SHOWN IN FIGURE A. HEX NUT RECOMMENDED TORQUE: 8-10 lb-in [0.90 - 1.13 N-m].
  - MATERIAL: SEAL CAP - THERMOPLASTIC ELASTOMER, BLACK  
WASHER - MYLAR, WHITE
  - UNLESS OTHERWISE SPECIFIED TOLERANCES:  
TWO PLACE DECIMALS ±0.02 [±0.5]

**CUSTOMER DRAWING**

0A	JGK	8/27/15	DRAWING CREATED FOR DATA-CON-X IP CAP.	
REV.	INIT.	DATE	DESCRIPTION	
	JGK	8/27/15	ORIG. DRAWN BY: DATE: 8/27/15	
ALL INFORMATION ILLUSTRATED IS THE PROPERTY OF CONXALL CORPORATION. UNAUTHORIZED DUPLICATION OR DISTRIBUTION OF THIS DOCUMENT IS PROHIBITED.			<p>601 E. WILDWOOD VILLA PARK, IL 60181</p>	
UNLESS OTHERWISE SPECIFIED TOLERANCES: 3 PLACE DECIMALS ±.005 ANGLES ±1° FRACTIONS ±1/16				
ALL UNITS ARE IN FEET, INCHES, FRACTION OF INCHES AND DECIMALS.			APPROVED BY:	TITLE: PANEL SEAL CAP DATA-CON-X SERIES IP RATED
SCALE	SIZE	SHEET	CUSTOMER:	STANDARD PRODUCT
1:1	B	1 OF 1	FILE:	D24295-WA
FILE: SAME AS P/N			DIRECTORY:	REV 0A
			SLW	

## X-ON Electronics

Largest Supplier of Electrical and Electronic Components

*Click to view similar products for [Modular Connectors / Ethernet Connectors](#) category:*

*Click to view products by [SWITCHCRAFT](#) manufacturer:*

Other Similar products are found below :

[8949-H88/06BLKA/SN](#) [74441-0010/BKN](#) [MP1010RX-1000](#) [MP44RX-1000](#) [PHP-6P6C-5](#) [GAX-3-66](#) [GAX-8-62](#) [GDCX-PA-66-50](#) [GDCX-PN-64](#) [GDCX-PN-66](#) [GDCX-PN-66-50](#) [GDLX-A-66](#) [GDLX-N-66](#) [GDLX-S-66](#) [GDLX-S-88K](#) [GDTX-S-88-50](#) [GDX-PA-1010](#) [GLX-N-1010M-BLK](#) [GLX-S-88M-BLK](#) [GMX-N-1010](#) [GMX-S-1010](#) [GMX-S-66](#) [GMX-SMT4-N-88](#) [GPX-2-64](#) [GSGX-N-2-88](#) [GSGX-N-4-88](#) [GSX-NS2-88-3.05](#) [GSX-NS2-88-3.05-50](#) [GSX-NS-88-3.05-50](#) [PT-108A-8C-UL](#) [PT-J951-8C](#) [PTS-J531-8CS-50UL](#) [1-1775629-2](#) [A-2014-0-4](#) [GWLX-S-88-GR](#) [GWLX-S9-88-YG](#) [DC-1021-8-WH-6](#) [1300530003](#) [1324640-4](#) [RJ11FTVC2G](#) [RJ11FTVC2N](#) [RJFTVX2SA1G](#) [132764-001](#) [1413235](#) [MP88X-1000](#) [MPS88RX-5000](#) [E5288-S000K3-L](#) [E5908-15A242-L](#) [155302-001](#) [AX100653](#)