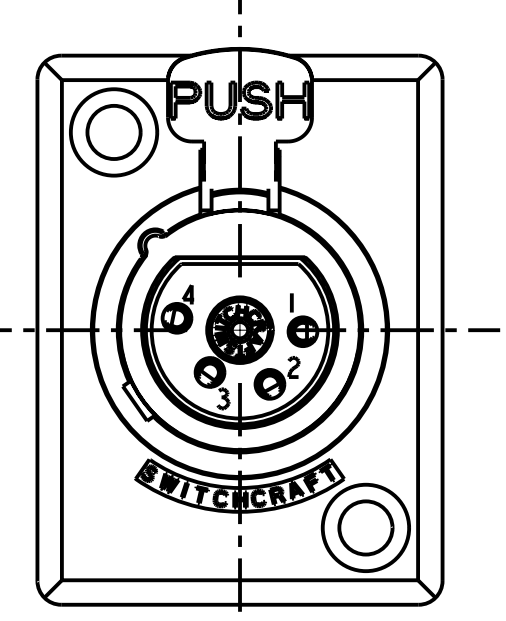
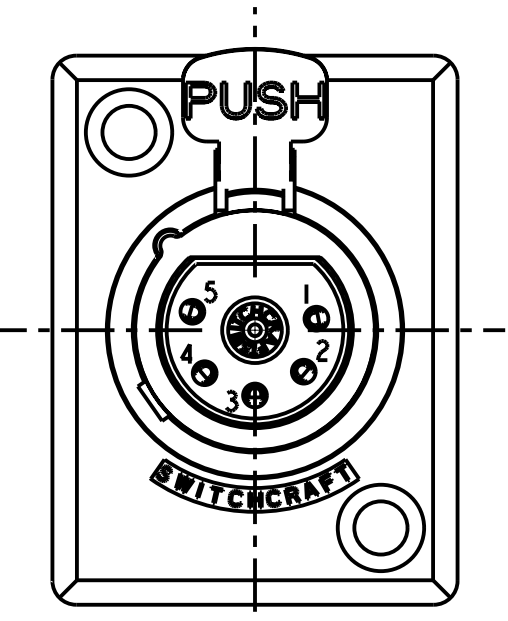


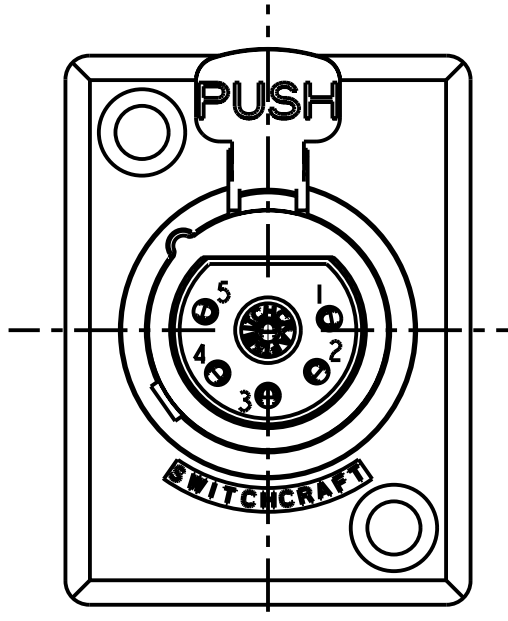
3 PIN



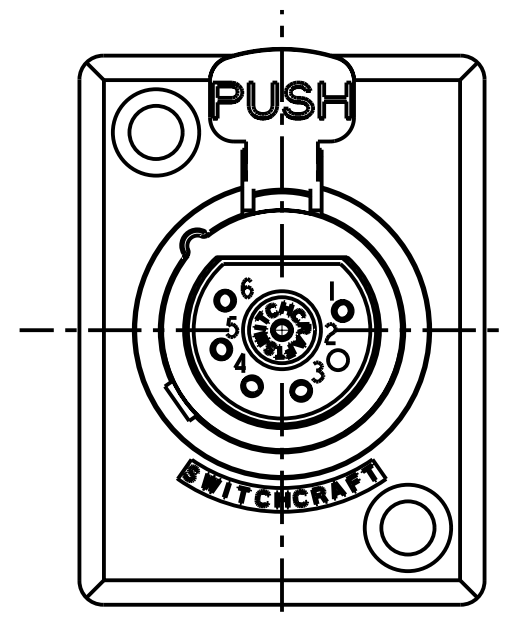
4 PIN



5 PIN



6 PIN



7 PIN

STANDARD SERIES

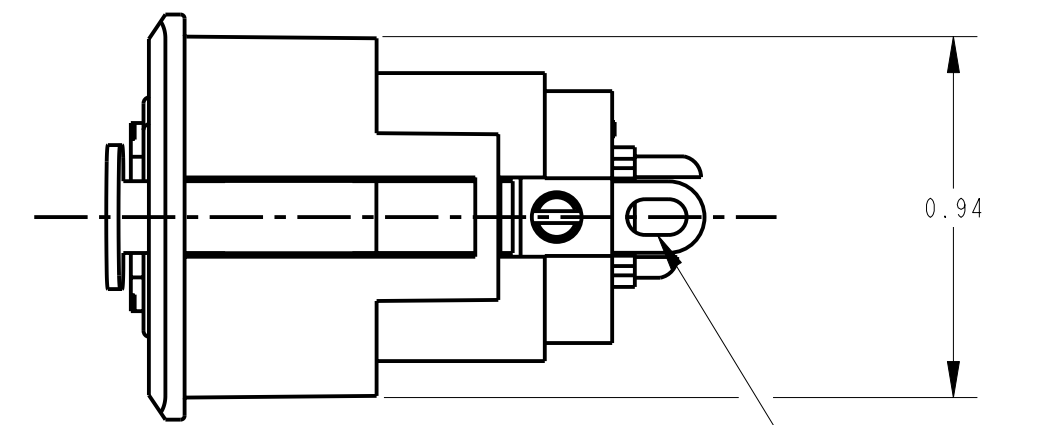
- SCREW - STAINLESS STEEL
- SHELL - STAINLESS STEEL
- LATCH BUTTON - ZINC, NICKEL PLATED
- INSULATOR - POLYESTER, GREEN
- SOLDER TERMINAL - BRASS, ELECTRO TIN
- LATCH SPRING - STAINLESS STEEL
- CONTACT PIN - PHOSPHOR BRONZE, SILVER PLATED
- HOUSING - ZINC
- RELEASE LEVER - STEEL, NICKEL PLATED

- CONTACT PLATING:
BLANK = SILVER (STANDARD)
AU = GOLD
- HOUSING FINISH:
BLANK = TEXTURED (STANDARD)
S = SANDED
- HOUSING PLATING: SEE NOTE 2
BLANK = NICKEL PLATE (STANDARD)
BX = BLACK RoHS
- LATCH TYPE:
BLANK = STANDARD LATCHLOCK
D = FAS-DIS-CONNECT DETENT (SEE FIGURE 1)
(NO LATCH)
- NO. OF CONTACTS:
3 = 3 CONTACTS
4 = 4 CONTACTS
5 = 5 CONTACTS
6 = 6 CONTACTS
7 = 7 CONTACTS

PROFESSIONAL SERIES

- HOUSING FINISH - MATTE CHROME
- CONTACT PLATING - GOLD

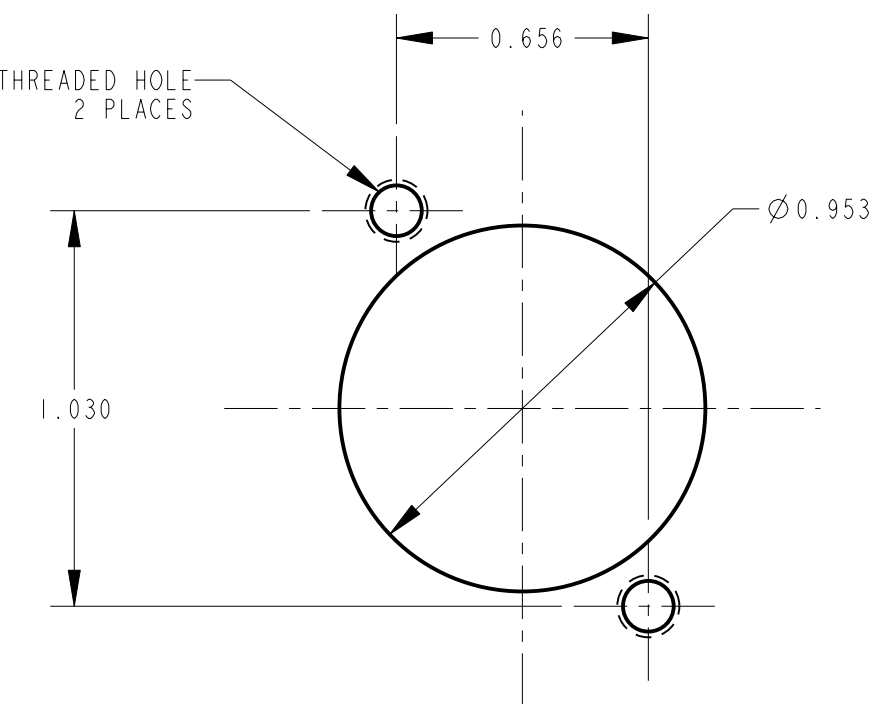
- OGP 62
- NO. OF CONTACTS:
3 = 3 CONTACTS



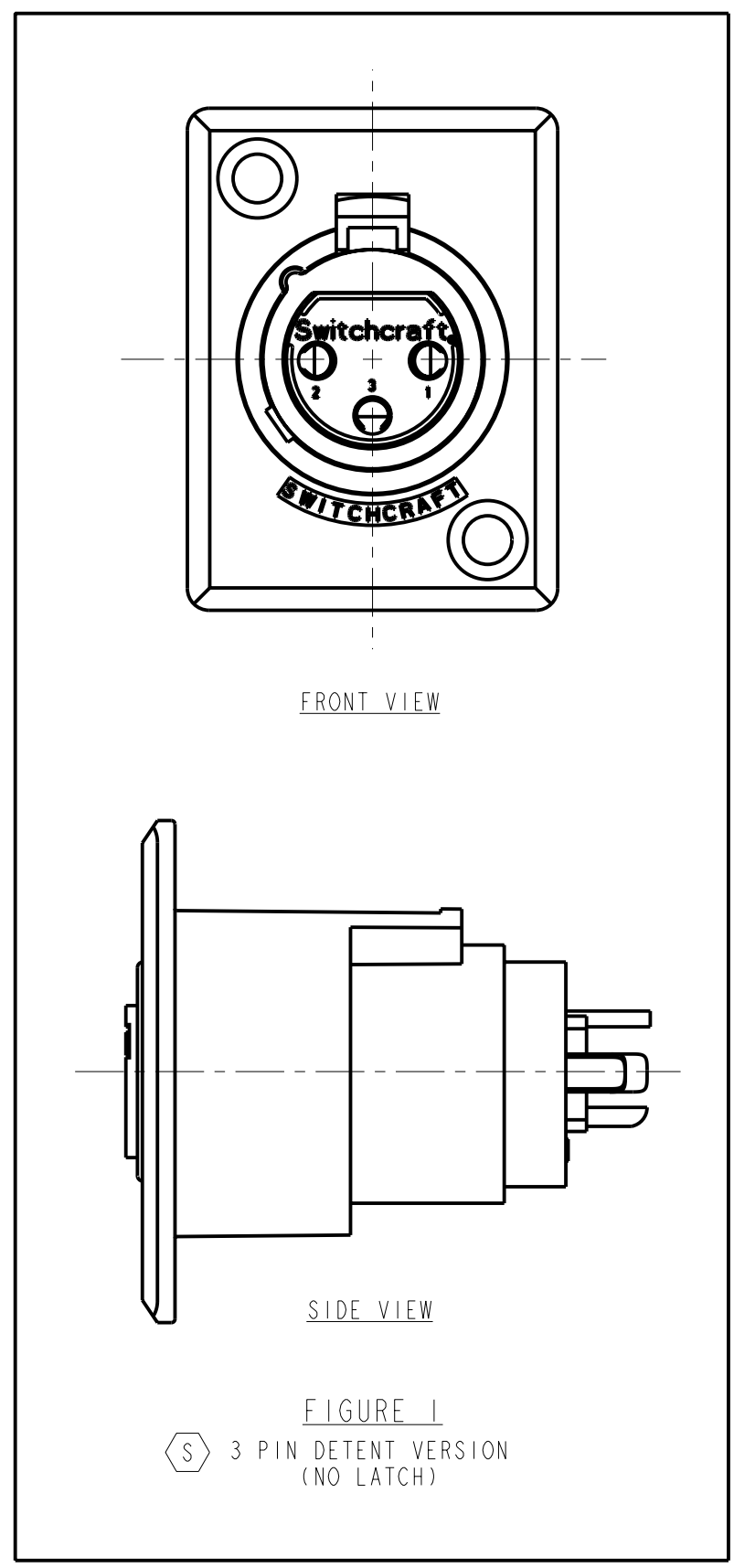
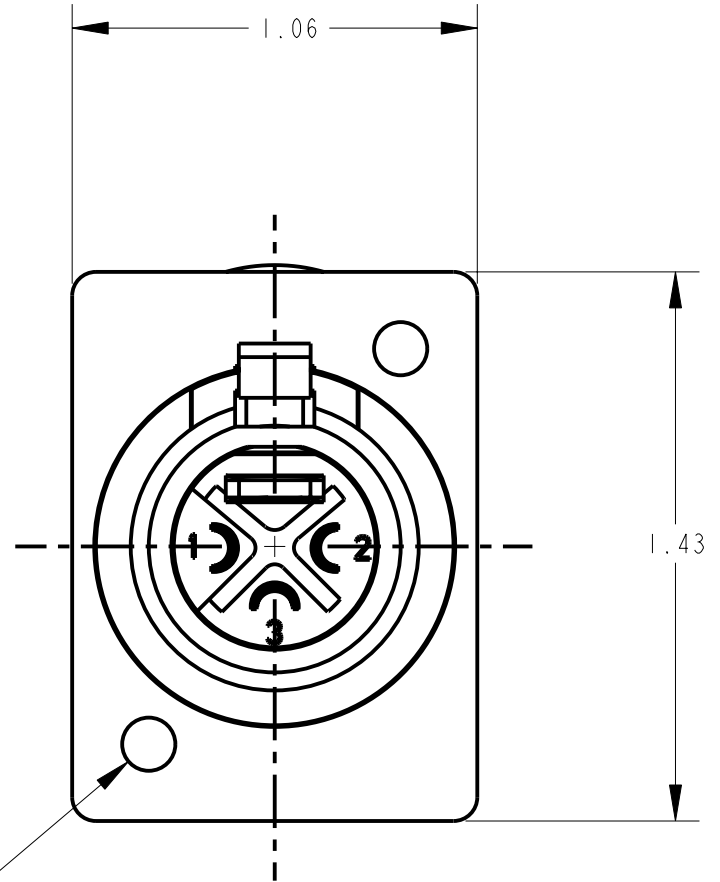
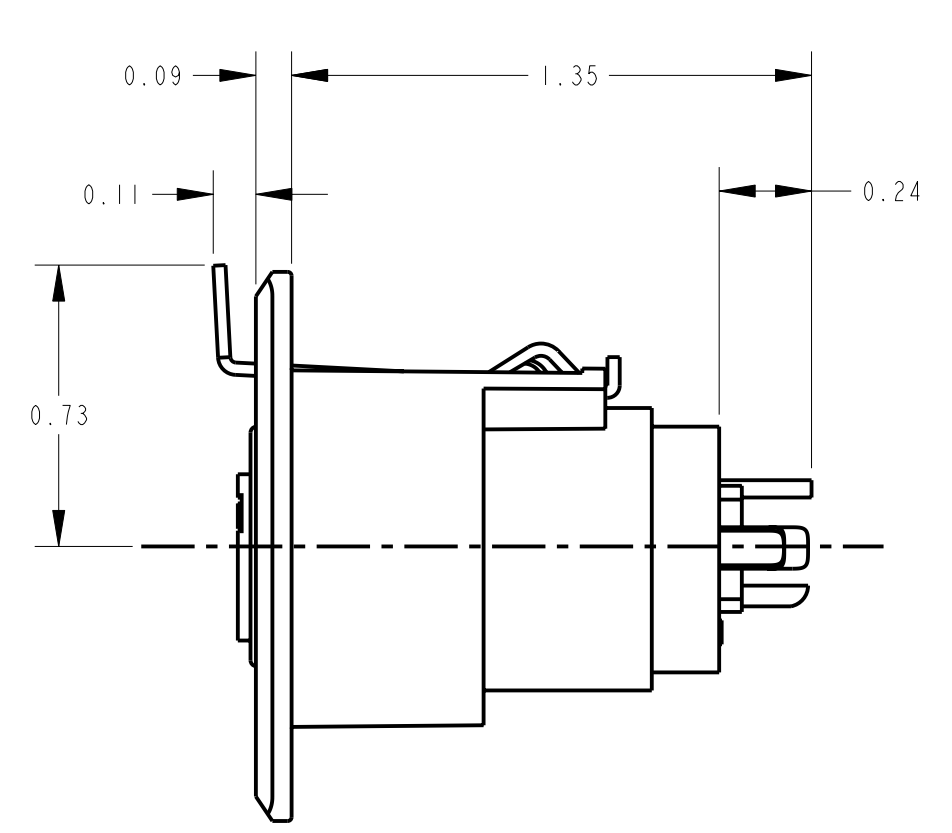
0.94

0.155 x 0.093

#5-40 THREADED HOLE
2 PLACES



RECOMMENDED
PANEL CUT-OUT



FRONT VIEW

SIDE VIEW

FIGURE 1

3 PIN DETENT VERSION
(NO LATCH)

CUSTOMER DRAWING

NOTES:

1. ALL DIMENSIONS REF. UNLESS OTHERWISE SPECIFIED.
2. BLACK HOUSING AND INSERT WITH SATIN NICKEL PLATED LATCH.
3. THIS PRODUCT IS RoHS COMPLIANT.

REV	ECO NUMBER	DATE	BY	APVD
S	26158	10-4-06	TO	TJK
R	ECO #22895	9-20-99	TJK	TJK

★ STAR SYMBOL DENOTES CRITICAL DIMENSION

UNLESS OTHERWISE SPECIFIED

1. ALL DIMENSIONS IN INCHES
- TWO PLACE DECIMALS ±0.01
- THREE PLACE DECIMALS ±0.005
- FRACTIONAL DIMENSIONS ±1/64
- ANGLES ±1°
- ALL DIA. CONCENTRIC WITHIN 0.005 T.I.R.

2. FEATURES ON THE SAME CENTERLINE MUST BE ALIGNED WITHIN ±0.002

3. REMOVE ALL BURRS

DO NOT SCALE DRAWING

THIS DRAWING DESCRIBES A DESIGN CONSIDERED PROPRIETARY IN NATURE, DEVELOPED AND MANUFACTURED BY SWITCHCRAFT INC. AND IS RELEASED ON A CONFIDENTIAL BASIS FOR IDENTIFICATION PURPOSES ONLY.				
SIZE	WIDTH	MULT	LBS/M	TEMPER
FINISH		SCALE		MATERIAL
SPEC No.		2:1		SPEC No.
FIRST USED ON		DATE DRAWN		BY
7-Feb-94		7-Feb-94		SG
CHKD		APVD		
AA		GHJ		
7-11-94		7-11-94		
NAME				PART No.
D SERIES FEMALE OG, RoHS				D_F SERIES
				REV
				S

X-ON Electronics

Largest Supplier of Electrical and Electronic Components

Click to view similar products for [XLR Connectors](#) category:

Click to view products by [Switchcraft](#) manufacturer:

Other Similar products are found below :

[707-0300](#) [A3F01](#) [A3M01](#) [QGP3F](#) [HA16PRM-3SG\(71\)](#) [AA3FL](#) [AAA4FWZ](#) [AAA4MWZ](#) [AC5FPZB](#) [AC6AFDZV](#) [D4FB](#) [DE4MW](#)
[E3MBAUSW](#) [99.265.0400.0](#) [A3F04](#) [AC3FG](#) [AC4-FCP](#) [AQG4F](#) [2504FP](#) [R6MZ](#) [3FD-V-I-B](#) [3MD-V-I-B](#) [TA01](#) [TA3MWX](#) [TA5MLWX](#)
[TRASM4M1X](#) [TRASM7M1X](#) [ML1](#) [TS05TS](#) [3FD-L-I-\(O\)](#) [D6FDB](#) [DB25FTRS](#) [DHNF-BAG-MAD](#) [DHNF-BAG-O](#) [DHNM-BAG](#)
[XLR05TRS](#) [XLRM05XLR05](#) [XLRM05XLRFB](#) [XLRM10XLR05](#) [E3FBAUSW](#) [E3FSW](#) [E3MSW](#) [SR03](#) [TA4FLWX](#) [TA6FLWX](#)
[TRAPC8M1X](#) [TRASM6M1X](#) [TRS10TRS](#) [TRSF05XLRM](#) [TRSF10XLRM](#)