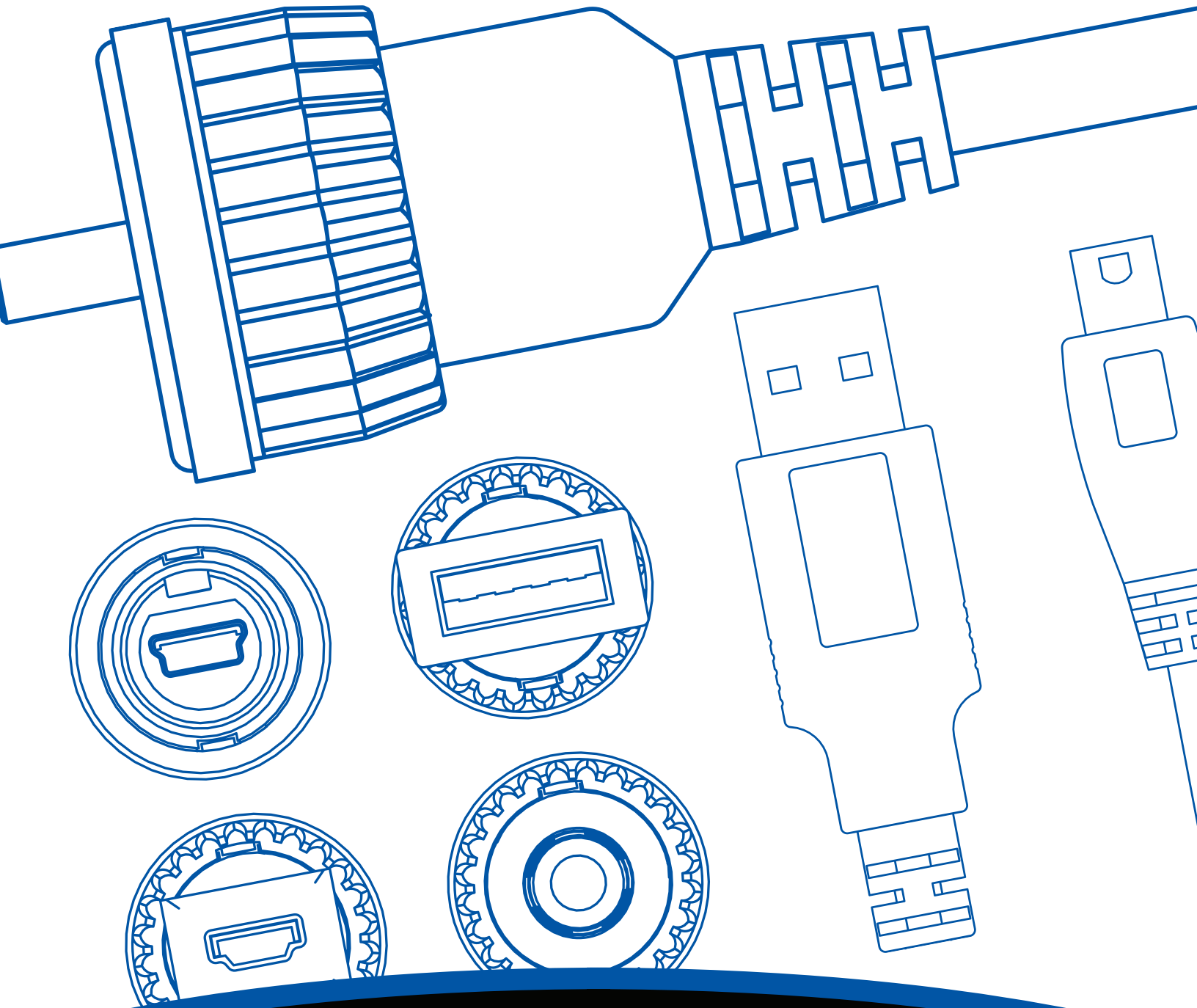


CONXALL®

A SWITCHCRAFT COMPANY



SEALED MINI USB CABLES

NPB | C715

SEALED MINI USB CABLES

NPB | C715



FEATURES & BENEFITS

- Sealed to IP67 & IP68 NEMA 250 (6P) when mated
- Easy to assemble
- Quick connect bayonet style interface
- RoHS Compliant

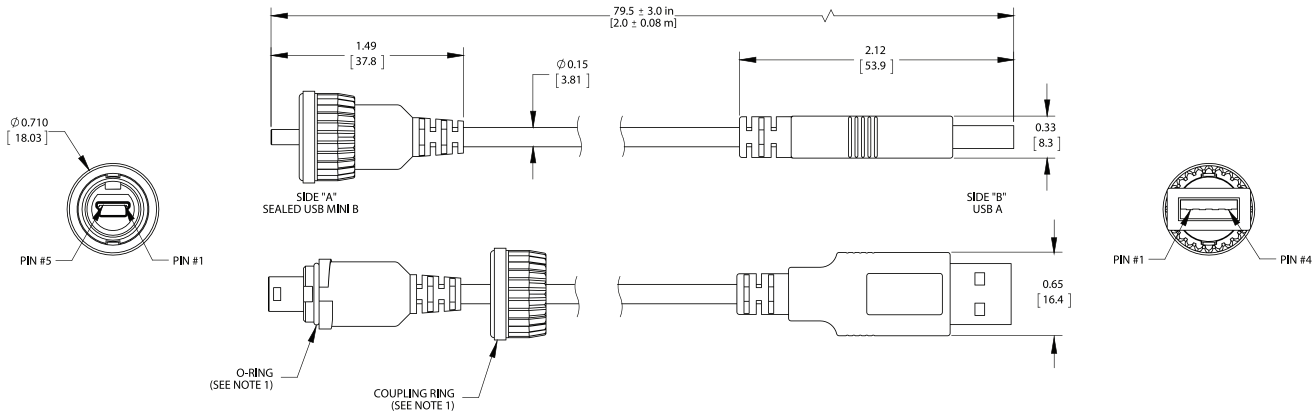
APPLICATIONS

- Any sealed data transmission
- Military or industrial GPS location devices
- Instrumentation
- Medical data carts
- Data acquisition units
- General industrial applications

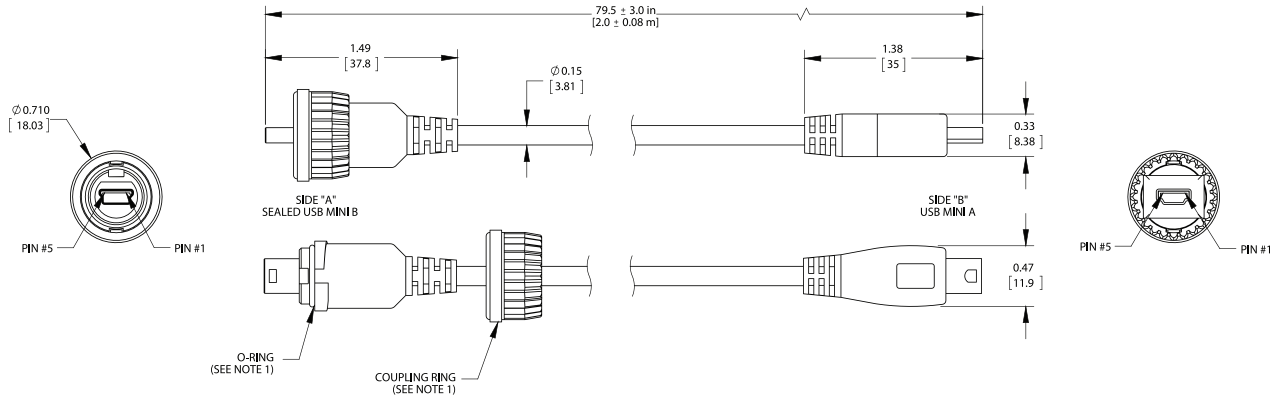
SEALED MINI USB CABLES

NPB | C715

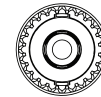
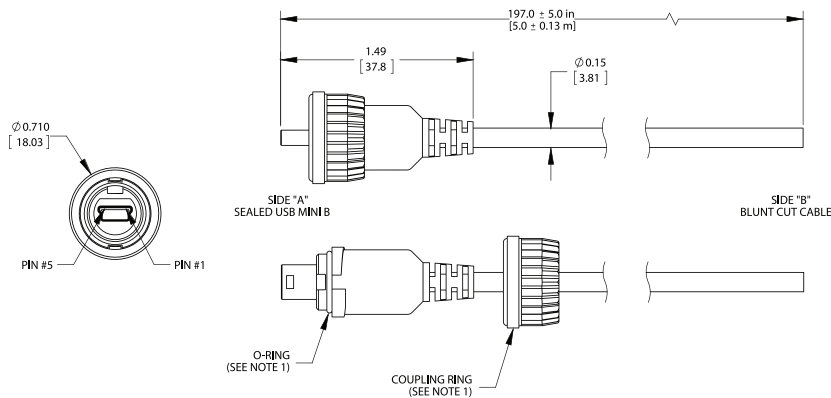
DCM-USBNB-USBAR2
Sealed USB 2.0
Mini B Plug to
USB 2.0 A Plug



DCM-USBNB-USMAR2
Sealed USB 2.0
Mini B Plug to
USB 2.0 Mini A Plug



DCM-USBNB-R5
Sealed USB 2.0
Mini B Plug to
Blunt Cut Cable



PIN ASSIGNMENT	
USB MINI B	CABLE
1	RED
2	WHITE, TWISTED PAIR
3	GREEN, TWISTED PAIR
4	NO CONNECTION
5	BLACK
SHIELD	BRAID

NOTE 1: THE O-RING & COUPLING RING COME PRE ASSEMBLED ON THE CABLE.
UNITS ARE LISTED IN INCHES [MM]. ALL DIMENSIONS ARE REFERENCE ONLY.

SEALED MINI USB CABLES

NPB | C715

SPECIFICATIONS

MECHANICAL SPECIFICATIONS

Life:	500 Insertion/ Withdrawal Cycles Minimum
Vibration:	Mil-Std 202G Method 201A
Coupling Locking Style:	Quick Connect (Bayonet)

ELECTRICAL SPECIFICATIONS

Tested Per USB 2.0 Specifications

ENVIRONMENTAL SPECIFICATIONS

Operating Temperature Rating:	-20 °C to +75 °C(-4°F to +167°F)
Moisture Resistance:	Mil-Std 202G Method 106G
Insulation Resistance:	Mil-Std 202G Method 302
Thermal Shock:	Mil-Std 202G Method 107G
Salt Atmosphere (Corrosion):	Mil-Std 202G Method 101E
Weathertight:	IP67 & IP68, NEMA 250 (6P) (when mated)

MATERIAL SPECIFICATIONS

Coupling Nut:	Thermoplastic
O-Ring:	Elastomer
Overmold Body & Flex Relief:	Thermoplastic
USB A, Mini-B, Mini-A Plugs:	
Insulator:	Thermoplastic UL94V-0, Black
Contacts:	Copper Alloy, Gold Plated (Contact Area)
Metal Shield:	Steel, Nickel Plated

OTHER

Recommended Panel Thickness:	0.031-0.187 inches [0.8mm-4.8mm]
------------------------------	----------------------------------

X-ON Electronics

Largest Supplier of Electrical and Electronic Components

Click to view similar products for [USB Cables / IEEE 1394 Cables](#) category:

Click to view products by [Switchcraft](#) manufacturer:

Other Similar products are found below :

[68768-0173](#) [FNY-W6003-01](#) [88764-0800](#) [148700-1](#) [17-200621](#) [17-250051P](#) [954](#) [17-200261](#) [AC102012-1](#) [AC102012-2](#) [FTP-629Y601](#) [45-1345-15](#) [45-1358-15](#) [45-1363-15](#) [IP-USB1\(C10\)S-RW](#) [CABLE/RTP/USB/DT](#) [45-1351-15](#) [45-1357-15](#) [45-1433-1](#) [687680278](#)
[USBFTVX2SA2N03A](#) [USBFTV2SA2N03A](#) [USBFTV2SA2N05A](#) [MDM9PH004B](#) [MDM9PH004P](#) [FTP-629Y401](#) [FTP-628Y302](#) [FTP-628Y402](#) [CSMNB9MF-5](#) [FNY-W6022](#) [UA-30AMF-SD7B03](#) [UA-30AMFM-SL7B03](#) [USBAPSCC7202A](#) [17-200641](#) [UES-1001A160](#) [UES-1003A160](#) [USBFTVX7SA2N20A](#) [USBFTV2PEMSA2N10A](#) [FTP-629Y602](#) [USBCAMCM100](#) [USB A/F*2 to 2.54 2*5P-SH L=400mm](#)
[68784-0075](#) [MINI-SCREW-USB-DATACABLE](#) [19800-010500-200-RS](#) [103-1092-BL-F0050](#) [103-1020-BL-00100](#) [103-1092-BL-F0200](#) [103-1092-BL-F0100](#) [105-1092-BL-00300](#) [105-1092-BL-00200](#)