

NOTES:

- DCP-US3AB-US3C SHOWN IN EXPLODED VIEW. (USB 3.0 TYPE A RECEPTACLE TO USB 3.0 MICRO TYPE AB WITH QUICK CONNECT COUPLING.)
- THE USB 3.0 RECEPTACLE STYLES ARE STANDARD TYPE "A" TO MICRO "AB".
- THE DIMENSION DOES NOT INCLUDE GASKET COMPRESSION.
- THE PINOUT AND DIMENSIONS ARE TYPICAL FOR ALL VERSIONS.
- UNLESS OTHERWISE SPECIFIED, DIMENSIONS WITH TWO DECIMAL PLACES HAVE TOLERANCES OF ± 0.02 [± 0.5 mm].

MATERIALS:

GASKET: ELASTOMER, BLACK
 HEX NUT: THERMOPLASTIC, BLACK
 USB PANEL HOUSING: THERMOPLASTIC, BLACK
 USB "A" RECEPTACLE:
 SHELL: COPPER ALLOY, NICKEL PLATED
 CONTACTS: COPPER ALLOY, GOLD PLATED
 INSULATOR: THERMOPLASTIC, BLUE
 USB MICRO "AB" RECEPTACLE:
 SHELL: COPPER ALLOY, NICKEL PLATED
 CONTACTS: COPPER ALLOY, GOLD PLATED
 INSULATOR: THERMOPLASTIC, BLACK
 PCB: FR-4

ELECTRICAL:

CURRENT RATING: 1.5 A
 CONTACT RESISTANCE: 50 MILLIOHMS MAX
 INSULATION RESISTANCE: 100 MEGAOHMS MINIMUM
 DIELECTRIC WITHSTANDING VOLTAGE: 100V AC FOR 1 MINUTE

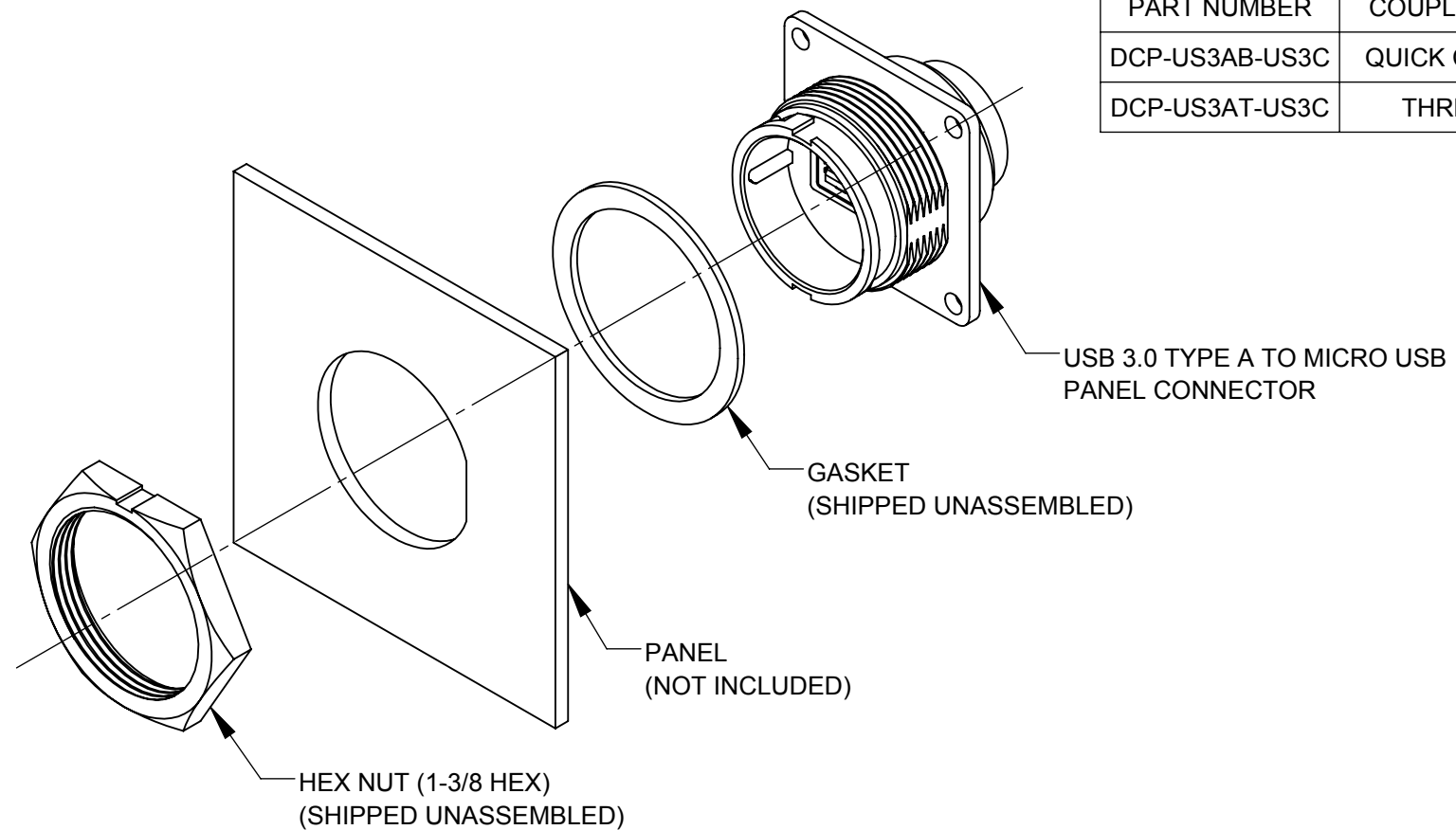
PRODUCT RATING:

IP-67 & IP-68, NEMA 250 (6P), WHEN MATED

OTHER:

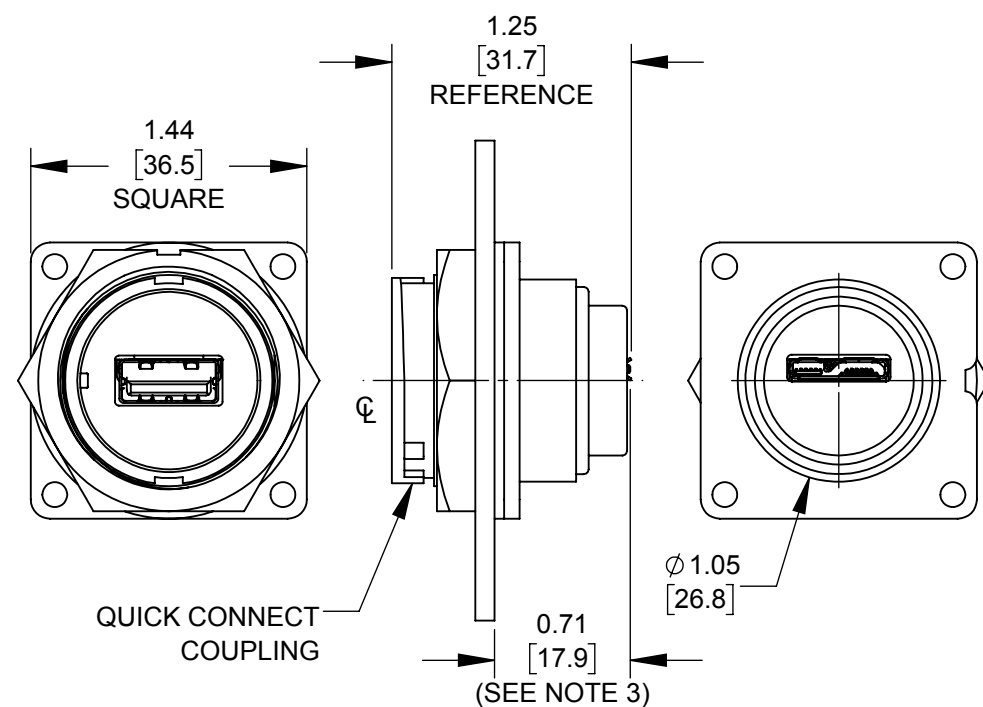
OPERATING TEMPERATURE: -25°C TO $+80^{\circ}\text{C}$ [-13°F TO $+176^{\circ}\text{F}$]
 RECOMMENDED PANEL THICKNESS:
 QUICK CONNECT COUPLING: 1/32" TO 3/16" (0.8mm to 4.8mm)
 THREADED COUPLING: 1/32" TO 5/32" (0.8mm to 3.9mm)

PART NUMBER	COUPLING TYPE	DESCRIPTION
DCP-US3AB-US3C	QUICK CONNECT	USB 3.0 TYPE A TO MICRO 3.0 AB
DCP-US3AT-US3C	THREADED	USB 3.0 TYPE A TO MICRO 3.0 AB



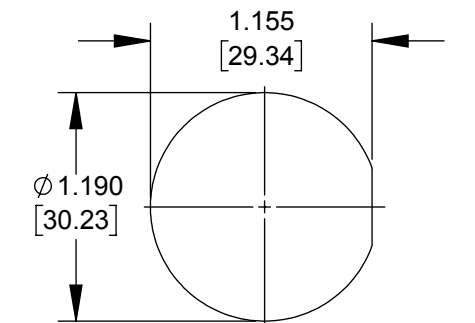
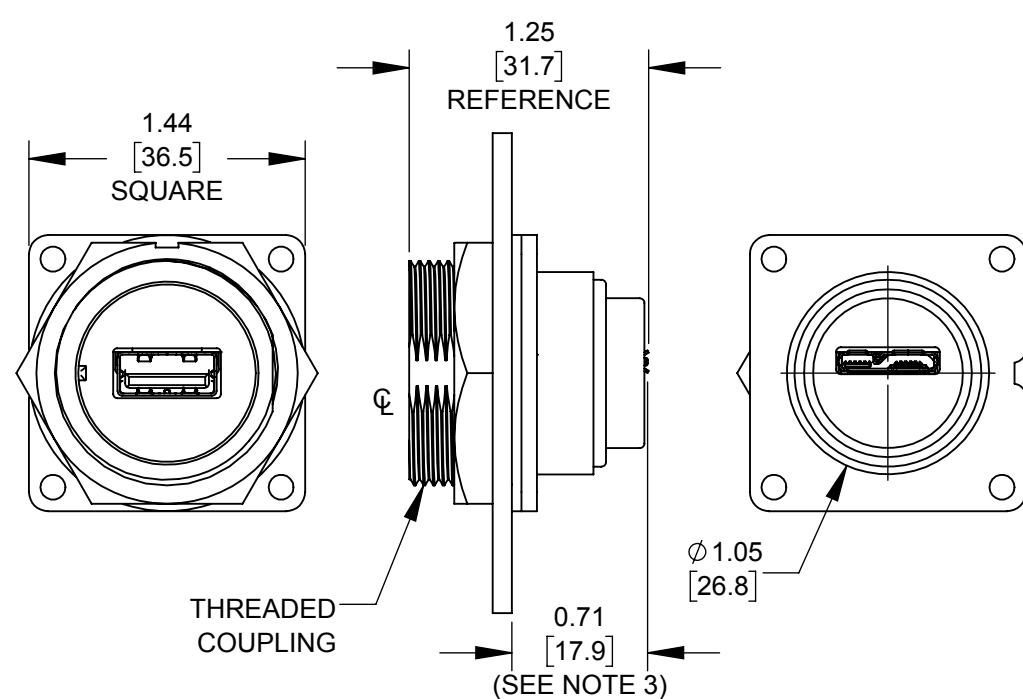
DCP-US3AB-US3C SHOWN

(USB 3.0 TYPE A TO MICRO 3.0 WITH QUICK CONNECT COUPLING)



DCP-US3AT-US3C SHOWN

(USB 3.0 TYPE A TO MICRO 3.0 WITH THREADED COUPLING)



RECOMMENDED PANEL CUT-OUT
 QUICK CONNECT COUPLING
 OR THREADED COUPLING

DIMENSIONS IN BRACKET [] ARE METRIC.

RoHS COMPLIANT

PRELIMINARY

CUSTOMER DRAWING

0A	JGK	4/24/17	DRAWING CREATED FOR PROJECT #12012.	
REV.	INIT.	DATE	DESCRIPTION	
	JGK	4/24/17	ORIG. DRAWN BY:	DATE:
ALL INFORMATION ILLUSTRATED IS THE PROPERTY OF CONXALL CORPORATION. UNAUTHORIZED DUPLICATION OR DISTRIBUTION OF THIS DOCUMENT IS PROHIBITED.			4/24/17	
ALL UNITS ARE IN FEET, INCHES, FRACTION OF INCHES AND DECIMALS. UNLESS OTHERWISE SPECIFIED TOLERANCES: 3 PLACE DECIMALS ± 0.005 ANGLES $\pm 1^{\circ}$ FRACTIONS $\pm 1/16$			CHECKED BY:	
- CRITICAL CHARACTERISTIC FLAG PER SPEC. XXXX			APPROVED BY:	
SCALE	SIZE	SHEET	TITLE:	
1:1	B	1 OF 1	USB A 3.0 TO MICRO AB 3.0 INDUSTRIAL PANEL CONNECTOR DATA-CON-X	
FILE:	DIRECTORY:	PART NUMBER:	CUSTOMER: STANDARD PRODUCT	
DCP-US3AX SERIES_CD	SLW	DCP-US3AX-US3C SERIES	REV 0A	

X-ON Electronics

Largest Supplier of Electrical and Electronic Components

Click to view similar products for [USB Connectors](#) category:

Click to view products by [Switchcraft](#) manufacturer:

Other Similar products are found below :

[65-647-8-BK-BU](#) [950](#) [952](#) [E8144-B01021-L](#) [A-USB B-TOP-C](#) [MUSBA511N5](#) [MUSBD11135](#) [217450-1](#) [CA 6 W LD](#) [KMBVX-TH-5S-B30](#)
[896-30-004-00-000000](#) [KUSBVX-BS1N-W30](#) [KUSBX-AP-KIT-SCBLK](#) [KUSBX-AS2N-W](#) [KUSBX-SMT2AP1S-W](#) [KUSBX-SMT2AP1S-](#)
[W30](#) [935](#) [957](#) [30-498-6](#) [17-210051](#) [1734082-1](#) [30-1574](#) [30-470](#) [30-489](#) [30-541](#) [30-572-3](#) [MAB 8 SN V](#) [A-USB A-2P-C](#) [MIKROE-1451](#)
[USBFTV2PEM2G](#) [USBFTVC6ZN](#) [KUSBX-AS2N-W30](#) [KUSBX-SLAS1N-W](#) [KUSBX-SMT-AS1N-W30](#) [4689-1](#) [1-1734084-2](#) [E8110-001-](#)
[01](#) [33UBARS1-04SW11](#) [33UBAR-04SW11](#) [USBF21ZNSCC](#) [USBBFTV6ZC](#) [MUSBB151341](#) [10135326-001LF](#) [M9177/3-1](#) [USB-A-S-F-B-](#)
[VT](#) [925](#) [4198](#) [690-024-633-031](#) [KUSBEX-BSFS1N-W](#) [USBFTVC6MRG](#)