

MFG. ENG.	APPROVED BY:	DATE:	APPROVED BY:	DATE:
	QA			

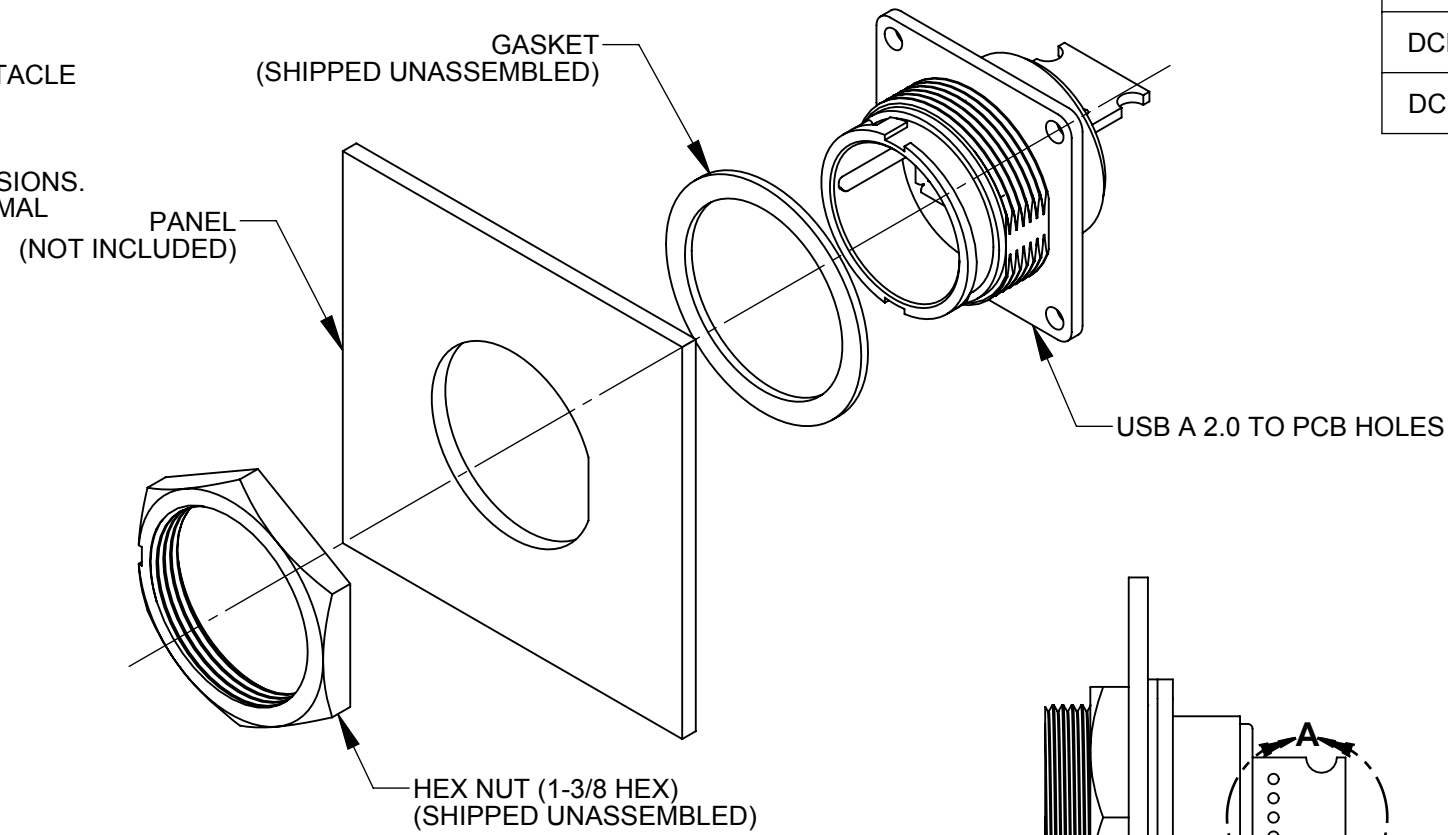
- NOTES:**
- DCP-USBAX-SC SHOWN IN EXPLODED VIEW. (USB A 2.0 RECEPTACLE TO PCB HOLES WITH QUICK CONNECT COUPLING.)
  - THE USB 2.0 RECEPTACLE STYLE IS TYPE "A".
  - THE DIMENSION DOES NOT INCLUDE GASKET COMPRESSION.
  - THE PCB PINOUT AND DIMENSIONS ARE TYPICAL FOR ALL VERSIONS.
  - UNLESS OTHERWISE SPECIFIED, DIMENSIONS WITH TWO DECIMAL PLACES HAVE TOLERANCES OF  $\pm 0.02$  [ $\pm 0.5$  mm].

**MATERIALS:**  
 GASKET: ELASTOMER, BLACK  
 HEX NUT: THERMOPLASTIC, BLACK  
 USB PANEL HOUSING: THERMOPLASTIC, BLACK  
 USB RECEPTACLE:  
 SHELL: COPPER ALLOY, TIN PLATED  
 CONTACTS: COPPER ALLOY, GOLD PLATED  
 INSULATOR: THERMOPLASTIC, WHITE  
 PCB: FR-4

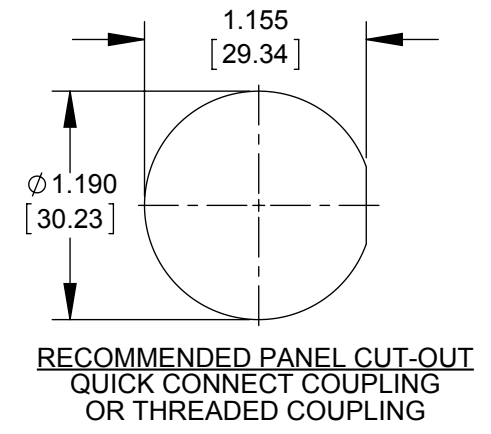
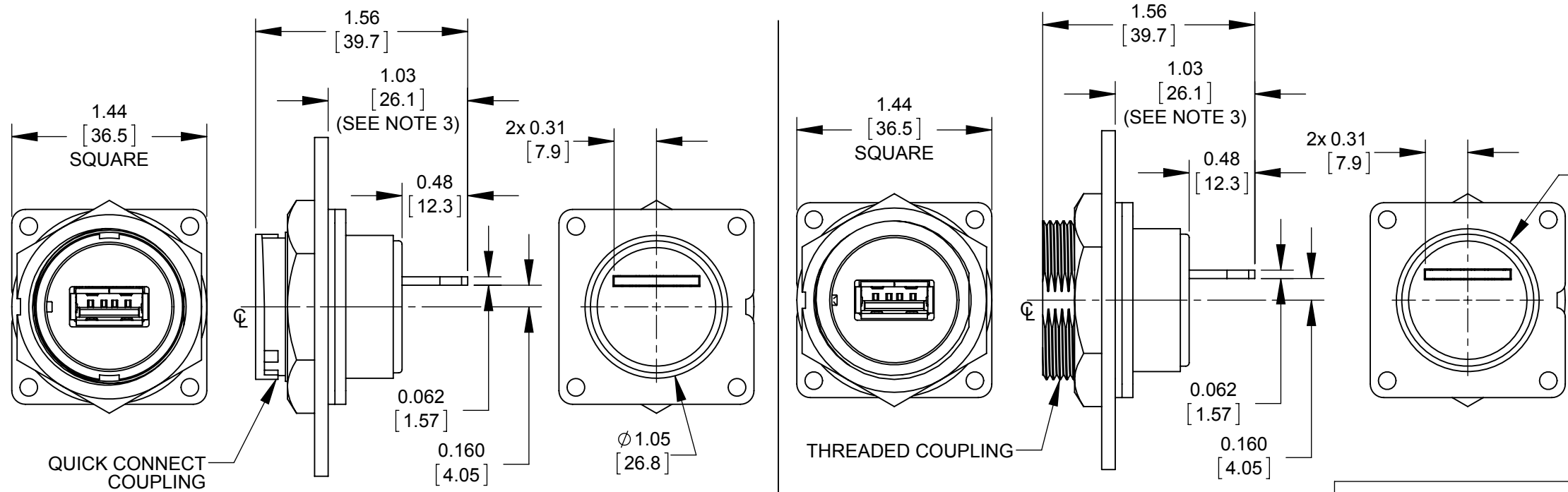
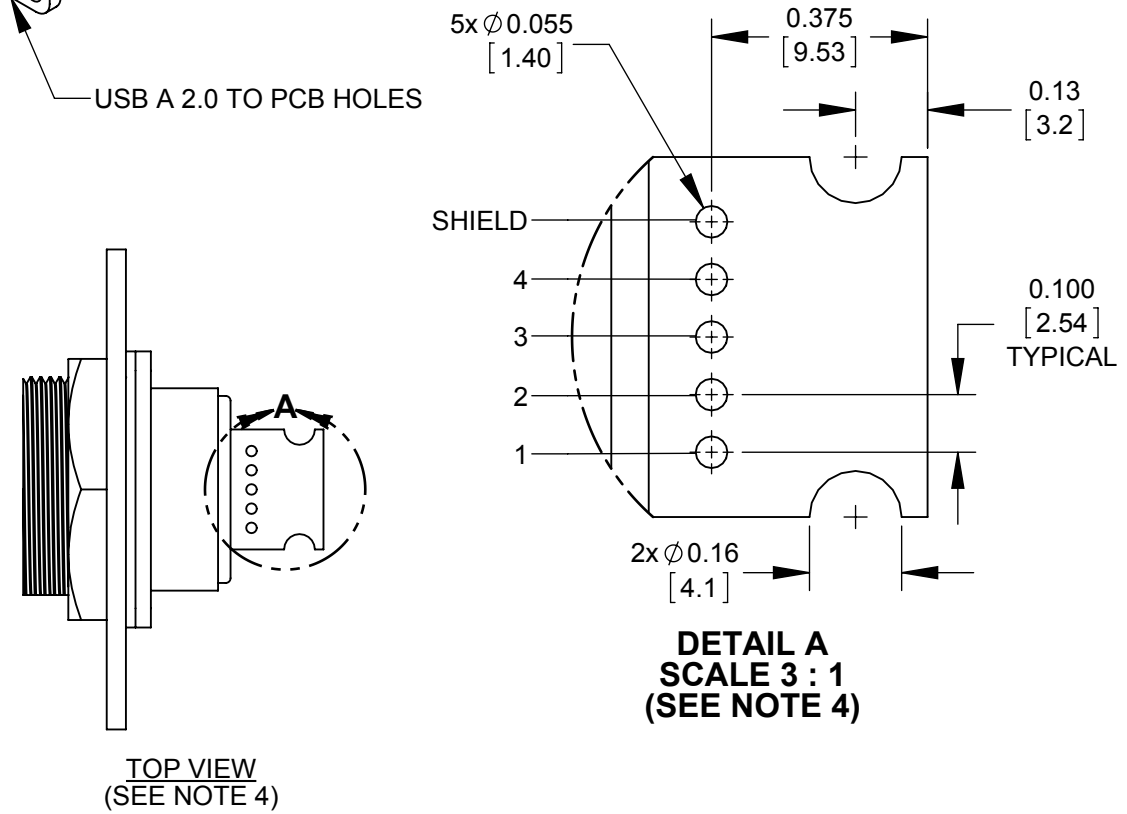
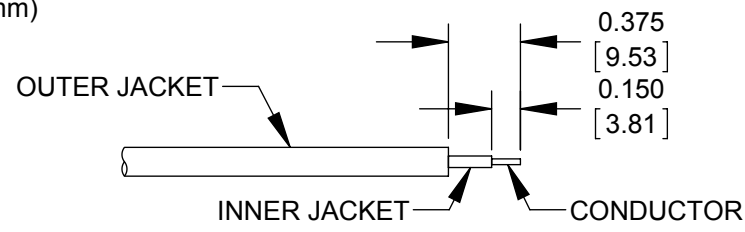
**ELECTRICAL:**  
 CURRENT RATING: 1.5 A MINIMUM  
 CONTACT RESISTANCE: 30 MILLIOHMS MAXIMUM  
 INSULATION RESISTANCE: 1000 MEGAOHMS MINIMUM  
 DIELECTRIC WITHSTANDING VOLTAGE: 500V AC

**PRODUCT RATING:**  
 IP-67 & IP-68, NEMA 250 (6P), WHEN MATED

**OTHER:**  
 OPERATING TEMPERATURE:  $-25^{\circ}\text{C}$  TO  $+85^{\circ}\text{C}$  [ $-13^{\circ}\text{F}$  TO  $+185^{\circ}\text{F}$ ]  
 RECOMMENDED PANEL THICKNESS:  
 QUICK CONNECT COUPLING: 1/32" TO 3/16" (0.8mm to 4.8mm)  
 THREADED COUPLING: 1/32" TO 5/32" (0.8mm to 3.9mm)



PART NUMBER	COUPLING TYPE	DESCRIPTION
DCP-USBAX-SC	QUICK CONNECT	USB A 2.0 TO PCB HOLES
DCP-USBAT-SC	THREADED	USB A 2.0 TO PCB HOLES



DIMENSIONS IN BRACKET [ ] ARE METRIC.

**RoHS COMPLIANT**

**PRELIMINARY** **CUSTOMER DRAWING**

0A	JGK	9/24/14	DRAWING CREATED PER PDR #14007, QUOTE #100113 & #100167.
REV.	INIT.	DATE	DESCRIPTION
	JGK	9/24/14	ORIG. DRAWN BY: DATE: 9/24/14
CHECKED BY:			 601 E. WILDWOOD VILLA PARK, IL 60181
APPROVED BY:			
TITLE:			USB A PANEL CONNECTOR
CUSTOMER:			STANDARD PRODUCT
SCALE	SIZE	SHEET	
1:1	B	1 OF 1	
FILE:	DIRECTORY:	PART NUMBER:	REV
SAME AS P/N	SLW	DCP-USBAX-SC SERIES	0A

ALL INFORMATION ILLUSTRATED IS THE PROPERTY OF CONXALL CORPORATION. UNAUTHORIZED DUPLICATION OR DISTRIBUTION OF THIS DOCUMENT IS PROHIBITED.

ALL UNITS ARE IN FEET, INCHES, FRACTION OF INCHES AND DECIMALS.

UNLESS OTHERWISE SPECIFIED TOLERANCES:  
 3 PLACE DECIMALS  $\pm 0.005$   
 ANGLES  $\pm 1^{\circ}$   
 FRACTIONS  $\pm 1/16$

CRITICAL CHARACTERISTIC FLAG PER SPEC. XXXX

## X-ON Electronics

Largest Supplier of Electrical and Electronic Components

*Click to view similar products for [USB Connectors](#) category:*

*Click to view products by [Switchcraft](#) manufacturer:*

Other Similar products are found below :

[65-647-8-BK-BU](#) [950](#) [952](#) [E8144-B01021-L](#) [A-USB B-TOP-C](#) [MUSBA511N5](#) [MUSBD11135](#) [217450-1](#) [CA 6 W LD](#) [KMBVX-TH-5S-B30](#)  
[896-30-004-00-000000](#) [KUSBVX-BS1N-W30](#) [KUSBX-AP-KIT-SCBLK](#) [KUSBX-AS2N-W](#) [KUSBX-SMT2AP1S-W](#) [KUSBX-SMT2AP1S-](#)  
[W30](#) [935](#) [957](#) [30-498-6](#) [17-210051](#) [1734082-1](#) [30-1574](#) [30-470](#) [30-489](#) [30-541](#) [30-572-3](#) [MAB 8 SN V](#) [A-USB A-2P-C](#) [MIKROE-1451](#)  
[USBFTV2PEM2G](#) [USBFTVC6ZN](#) [KUSBX-AS2N-W30](#) [KUSBX-SLAS1N-W](#) [KUSBX-SMT-AS1N-W30](#) [4689-1](#) [1-1734084-2](#) [E8110-001-](#)  
[01](#) [33UBARS1-04SW11](#) [33UBAR-04SW11](#) [USBF21ZNSCC](#) [USBBFTV6ZC](#) [MUSBB151341](#) [10135326-001LF](#) [M9177/3-1](#) [USB-A-S-F-B-](#)  
[VT](#) [925](#) [4198](#) [690-024-633-031](#) [KUSBEX-BSFS1N-W](#) [USBFTVC6MRG](#)