

CUSTOMER DRAWING

PART NUMBER: DCP-USBAX-HD SERIES

MFG. ENG.	APPROVED BY:	DATE:	QA	APPROVED BY:	DATE:
-----------	--------------	-------	----	--------------	-------

NOTES:

- DCP-USBAB-HD SHOWN IN EXPLODED VIEW. (USB A 2.0 RECEPTACLE TO 5 PIN HEADER WITH QUICK CONNECT COUPLING.)
- THE USB 2.0 RECEPTACLE STYLE IS TYPE "A".
- THE DIMENSION DOES NOT INCLUDE GASKET COMPRESSION.
- THE PINOUT AND DIMENSIONS ARE TYPICAL FOR ALL VERSIONS.
- UNLESS OTHERWISE SPECIFIED, DIMENSIONS WITH TWO DECIMAL PLACES HAVE TOLERANCES OF ± 0.02 [± 0.5 mm].

MATERIALS:

GASKET: ELASTOMER, BLACK
 HEX NUT: THERMOPLASTIC, BLACK
 USB PANEL HOUSING: THERMOPLASTIC, BLACK
 USB RECEPTACLE:
 SHELL: COPPER ALLOY, TIN PLATED
 CONTACTS: COPPER ALLOY, GOLD PLATED
 INSULATOR: THERMOPLASTIC, WHITE
 HEADER:
 INSULATOR: THERMOPLASTIC, BLACK
 CONTACTS: COPPER ALLOY, GOLD PLATED
 PCB: FR-4

ELECTRICAL:

CURRENT RATING: 1.5 A MINIMUM
 CONTACT RESISTANCE: 30 MILLIOHMS MAXIMUM
 INSULATION RESISTANCE: 1000 MEGAOHMS MINIMUM
 DIELECTRIC WITHSTANDING VOLTAGE: 500V AC

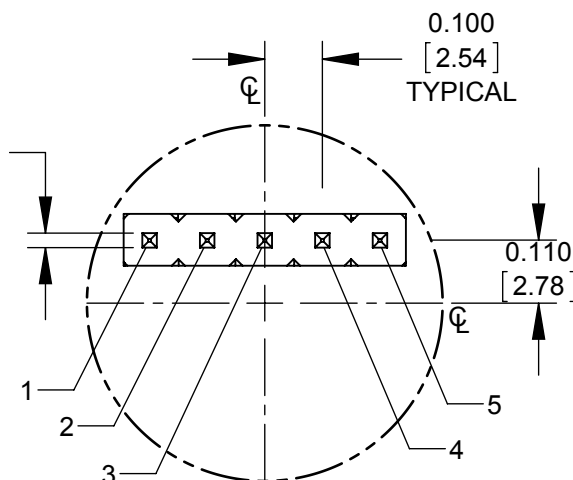
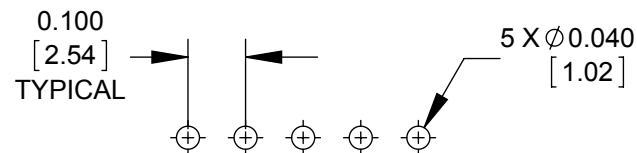
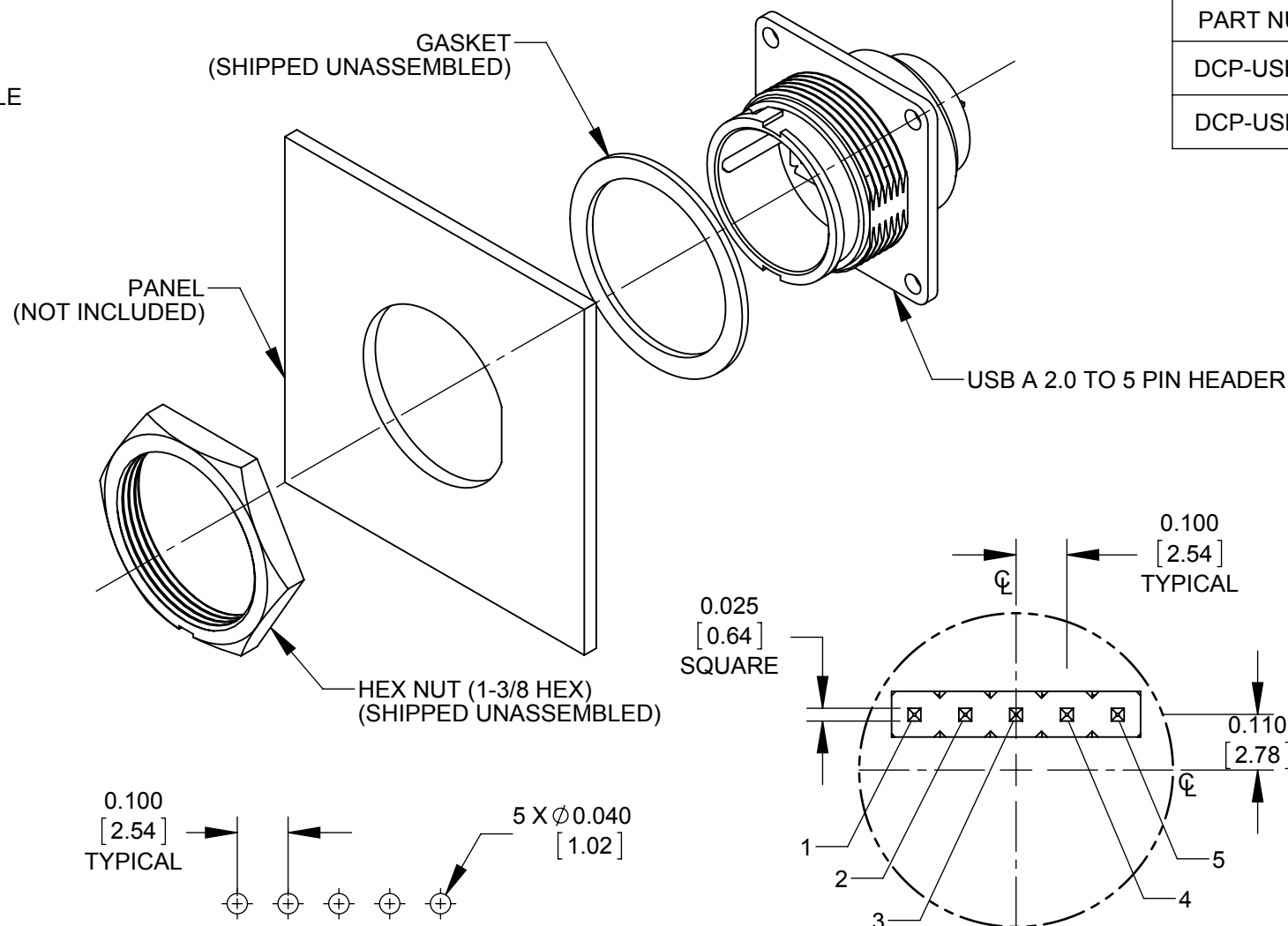
PRODUCT RATING:

IP-67 & IP-68, NEMA 250 (6P), WHEN MATED

OTHER:

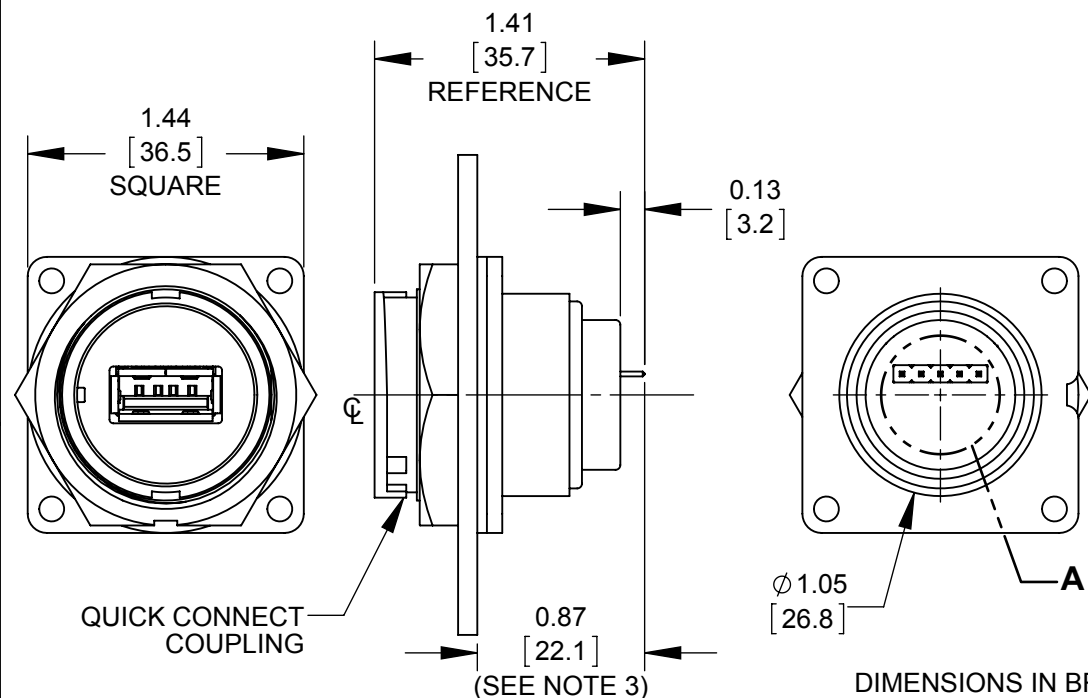
OPERATING TEMPERATURE: -25°C TO $+85^{\circ}\text{C}$ [-13°F TO $+185^{\circ}\text{F}$]
 RECOMMENDED PANEL THICKNESS:
 QUICK CONNECT COUPLING: 1/32" TO 3/16" (0.8mm to 4.8mm)
 THREADED COUPLING: 1/32" TO 5/32" (0.8mm to 3.9mm)

PART NUMBER	COUPLING TYPE	DESCRIPTION
DCP-USBAB-HD	QUICK CONNECT	USB A 2.0 TO 5 PIN HEADER
DCP-USBAT-HD	THREADED	USB A 2.0 TO 5 PIN HEADER

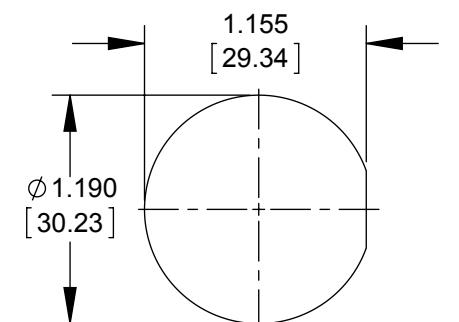
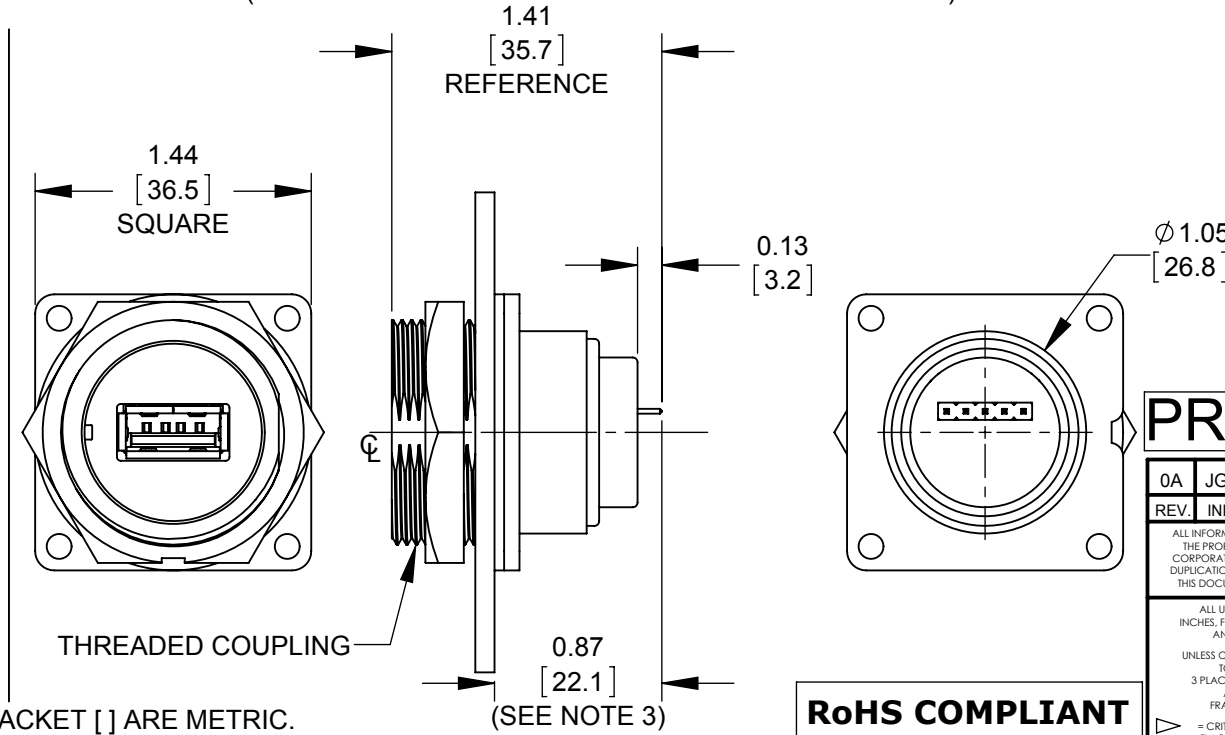


USB A PINOUT	HEADER PINOUT
1	1
2	2
3	3
4	4
SHIELD	5

DCP-USBAB-HD SHOWN
(USB A TO 5 PIN HEADER WITH QUICK CONNECT COUPLING)



DCP-USBAT-HD SHOWN
(USB A TO 5 PIN HEADER WITH THREADED COUPLING)



PRELIMINARY **CUSTOMER DRAWING**

0A	JGK	3/25/15	DRAWING CREATED PER PDR #14007, QUOTE #100113 & #100167.	
REV.	INIT.	DATE	DESCRIPTION	
	JGK	3/25/15	ORIG. DRAWN BY: DATE: 3/25/15	
ALL INFORMATION ILLUSTRATED IS THE PROPERTY OF CONXALL CORPORATION. UNAUTHORIZED DUPLICATION OR DISTRIBUTION OF THIS DOCUMENT IS PROHIBITED.			CHECKED BY:	
ALL UNITS ARE IN FEET, INCHES, FRACTION OF INCHES AND DECIMALS. UNLESS OTHERWISE SPECIFIED TOLERANCES: 3 PLACE DECIMALS ±.005 ANGLES ±1° FRACTIONS ±1/16			APPROVED BY:	
- CRITICAL CHARACTERISTIC FLAG PER SPEC. XXXX			TITLE: USB A TO 5 PIN HEADER DATA-CON-X STANDARD PRODUCT	
FILE:	SIZE:	SHEET:	CUSTOMER:	
SAME AS P/N	B	1 OF 1	STANDARD PRODUCT	
DIRECTORY:	PART NUMBER:	REV	0A	
SLW	DCP-USBAX-HD SERIES			

RoHS COMPLIANT

X-ON Electronics

Largest Supplier of Electrical and Electronic Components

Click to view similar products for [USB Connectors](#) category:

Click to view products by [SWITCHCRAFT](#) manufacturer:

Other Similar products are found below :

[65-647-8-BK-BU](#) [950](#) [952](#) [E8144-B01021-L](#) [A-USB B-TOP-C](#) [MUSBA511N5](#) [MUSBD11135](#) [217450-1](#) [KMBVX-TH-5S-B30](#) [896-30-004-00-000000](#) [KUSBVX-BS1N-W30](#) [KUSBX-AP-KIT-SCBLK](#) [KUSBX-AS2N-W](#) [KUSBX-SMT2AP1S-W](#) [KUSBX-SMT2AP1S-W30](#) [935](#) [957](#) [30-498-6](#) [17-210051](#) [1734082-1](#) [30-1574](#) [30-470](#) [30-489](#) [30-541](#) [30-572-3](#) [A-USB A-2P-C](#) [MIKROE-1451](#) [USBFTV2PEM2G](#) [USBFTVC6ZN](#) [KUSBX-AS2N-W30](#) [KUSBX-SLAS1N-W](#) [KUSBX-SMT-AS1N-W30](#) [4689-1](#) [1-1734084-2](#) [E8110-001-01](#) [33UBARS1-04SW11](#) [33UBAR-04SW11](#) [USBF21ZNSCC](#) [USBBFTV6ZC](#) [10135326-001LF](#) [USB-A-S-F-B-VT](#) [925](#) [4198](#) [690-024-633-031](#) [KUSBEX-BSFS1N-W](#) [USBFTVC6MRG](#) [UA-20BMFA-SL8001](#) [17-250101](#) [USBFTVC7ZC](#) [USBFTV75NF459](#)