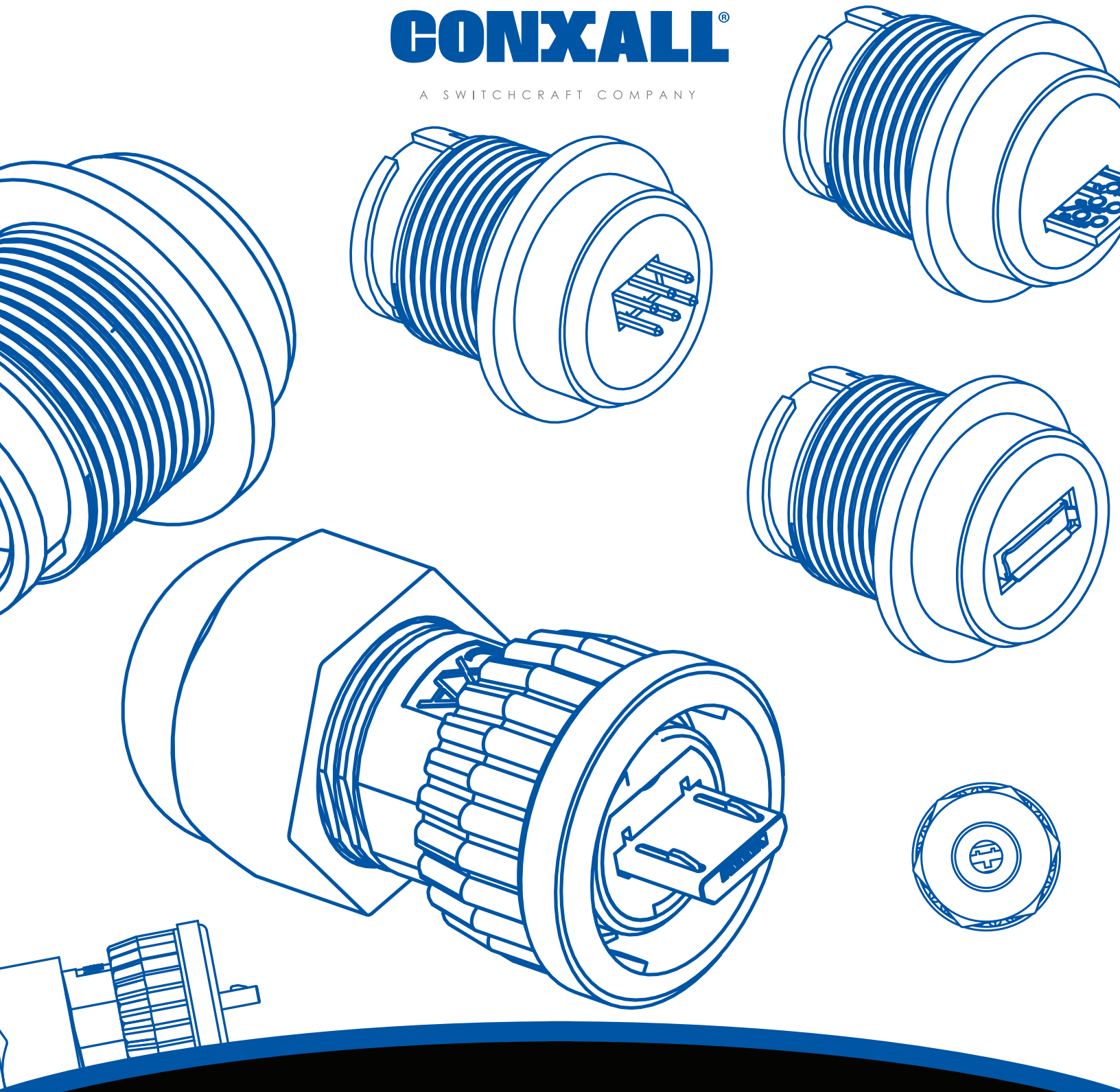


# CONXALL®

A SWITCHCRAFT COMPANY



## DATA-CON-X® SEALED MICRO-USB CONNECTORS

NPB | C716

# DATA-CON-X® SEALED MICRO-USB CONNECTORS

NPB | C716



## FEATURES & BENEFITS

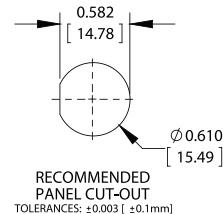
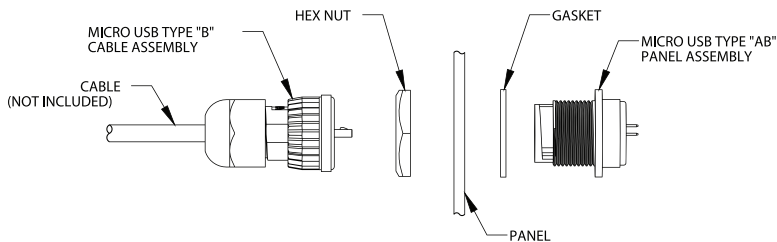
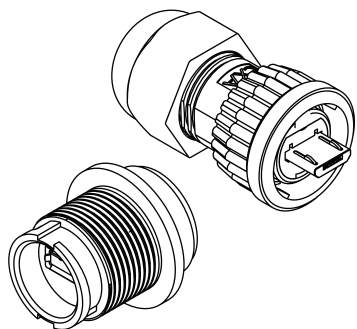
- Sealed to IP67 & IP68 NEMA 250 (6P)
- Feed through, PC Tail or Solder terminals for easy field installation
- Field installable design is easy to assemble
- Quick connect bayonet style interface
- RoHS compliant assembly

## APPLICATIONS

- Any sealed data transmission
- Military or industrial GPS location devices
- Instrumentation
- Medical data carts
- Data acquisition units
- General industrial electronic applications

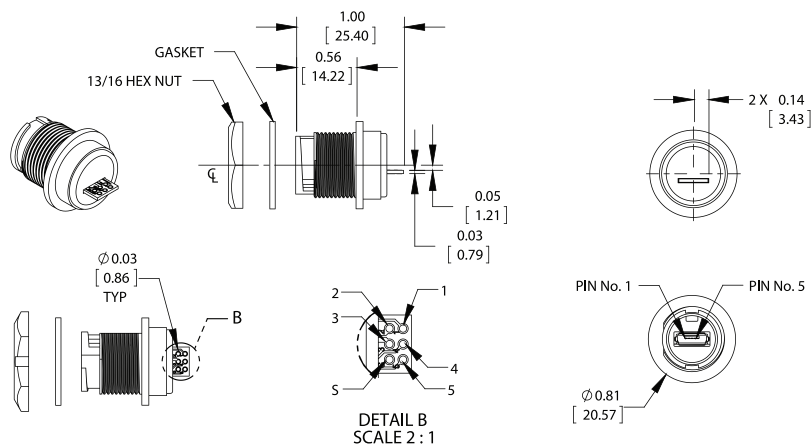
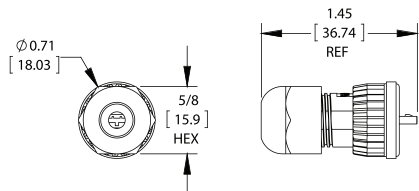
# DATA-CON-X<sup>®</sup> SEALED MICRO-USB CONNECTORS

NPB | C716



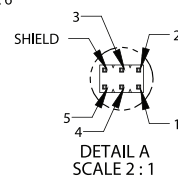
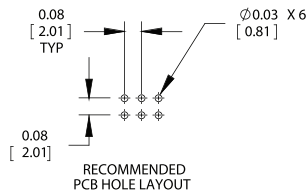
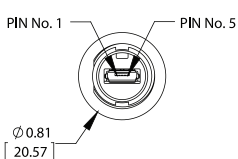
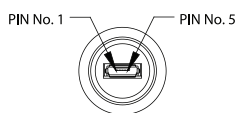
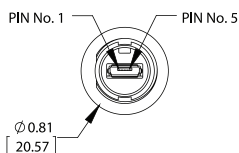
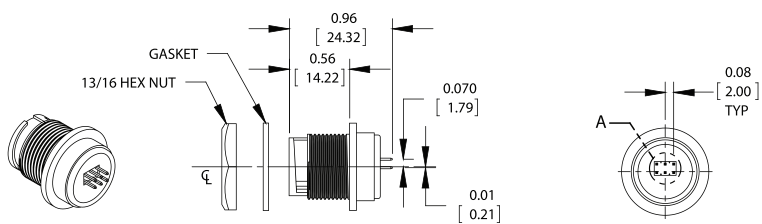
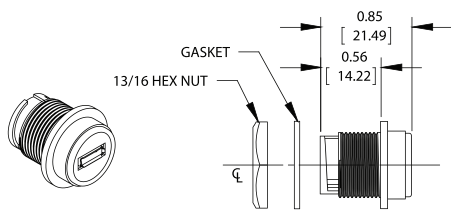
**DCC-USBCB-120**  
Micro-USB Field Installable Cable Plug

**DCP-USBCB-SC**  
Micro-USB Panel Mount - Solder Holes



**DCP-USBCB-F**  
Micro-USB Panel Mount - Feed-Thru

**DCP-USBCB-HD**  
Micro-USB Panel Mount - PC Tails



UNITS ARE LISTED IN INCHES [MM]. ALL DIMENSIONS ARE REFERENCE ONLY.

PLEASE VISIT [WWW.CONXALL.COM](http://WWW.CONXALL.COM) FOR THE MOST UP-TO-DATE PRODUCT SPECIFICATIONS.

# DATA-CON-X<sup>®</sup> SEALED MICRO-USB CONNECTORS

NPB | C716

## SPECIFICATIONS

### Mechanical Specifications

Life:	300 Cycles Minimum
Vibration:	Mil-Std 202G Method 201A
Hex Nut Torque:	10-12 in-lb
Coupling Locking Style:	Quick Connect (Bayonet)
Backshell Style:	Threaded Nut-Squeezed Grommet

### Electrical Specifications

Tested Per USB 2.0 Specifications

### Environmental Specifications

Operating Temperature Rating:	-25 °C to +85 °C (-13°F to +185°F)
Moisture Resistance:	Mil-Std 202G Method 106G
Insulation Resistance:	Mil-Std 202G Method 302
Thermal Shock:	Mil-Std 202G Method 107G
Weathertight:	IP67 & IP68, NEMA 250 (6P) (when mated)

### Material Specifications

Plug Nut, Coupling Nut:	Thermoplastic
Plug Housing, Insert:	Thermoplastic
Sealing Ring, O-Ring:	Elastomer
Panel Housing, Hex Nut:	Thermoplastic
Gasket:	Elastomer
Printed Circuit Board (PCB):	FR-4

### Header:

Insulator:	Thermoplastic UL94V-0, Black
Contacts:	Copper Alloy, Gold Flash

### Micro USB Type B Plug:

Insulator:	Thermoplastic UL94V-0, Black
Contacts:	Copper Alloy, Gold Plated (Contact Area)
Metal Shield:	Steel, Nickel Plated

### Micro USB Type AB Receptacle:

Insulator:	Thermoplastic UL94V-0, Black
Contacts:	Copper Alloy, Gold Flash (Contact Area)
Metal Shield:	Copper Alloy, Tin Plated

### Molded Cable Assemblies

Consult factory for molded options

### Other

Recommended Cable O.D. Range:	0.137-0.157 inches [3.5mm-4.0mm]
Recommended Panel Thickness:	0.031-0.187 inches [0.8mm-4.8mm]

## X-ON Electronics

Largest Supplier of Electrical and Electronic Components

*Click to view similar products for [USB Connectors](#) category:*

*Click to view products by [Switchcraft](#) manufacturer:*

Other Similar products are found below :

[65-647-8-BK-BU](#) [950](#) [952](#) [E8144-B01021-L](#) [A-USB B-TOP-C](#) [MUSBA511N5](#) [MUSBD11135](#) [217450-1](#) [KMBVX-TH-5S-B30](#) [896-30-004-00-000000](#) [KUSBVX-BS1N-W30](#) [KUSBX-AP-KIT-SCBLK](#) [KUSBX-AS2N-W](#) [KUSBX-SMT2AP1S-W](#) [KUSBX-SMT2AP1S-W30](#) [935](#) [957](#) [30-498-6](#) [17-210051](#) [1734082-1](#) [30-1574](#) [30-470](#) [30-489](#) [30-541](#) [30-572-3](#) [A-USB A-2P-C](#) [MIKROE-1451](#) [USBFTV2PEM2G](#) [USBFTVC6ZN](#) [KUSBX-AS2N-W30](#) [KUSBX-SLAS1N-W](#) [KUSBX-SMT-AS1N-W30](#) [4689-1](#) [1-1734084-2](#) [E8110-001-01](#) [33UBARS1-04SW11](#) [33UBAR-04SW11](#) [USBF21ZNSCC](#) [USBBFTV6ZC](#) [10135326-001LF](#) [USB-A-S-F-B-VT](#) [925](#) [4198](#) [690-024-633-031](#) [KUSBEX-BSFS1N-W](#) [USBFTVC6MRG](#) [UA-20BMFA-SL8001](#) [17-250101](#) [USBFTVC7ZC](#) [USBFTV75NF459](#)