

DE SERIES PANEL MOUNT XLR CONNECTORS

NEW PRODUCT BULLETIN 603

FEATURES & BENEFITS

- Same high quality connectors as our popular D Series XLR, except both male and female versions utilize the same size housing, simplifying installation and modification.
- Rugged metal construction.
- Available in nickel or black finish.
- Available with 3, 4, 5, 6 or 7 contacts, plated in silver or gold.
- Chassis ground terminal feature comes standard with all versions.
- RoHS Compliant.
- The perfect match for our QGPK Series of I/O panels and our WP Series of wall-plates. More info available on our website.



APPLICATIONS

- Communications equipment
- Wall plates
- Custom I/O panels
- Pro audio equipment

SWITCHCRAFT®

A H E I C O C O M P A N Y

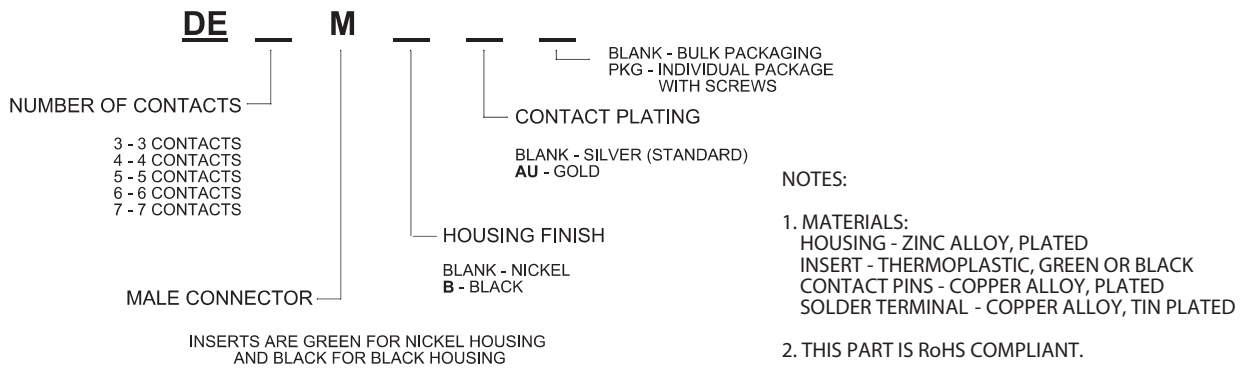
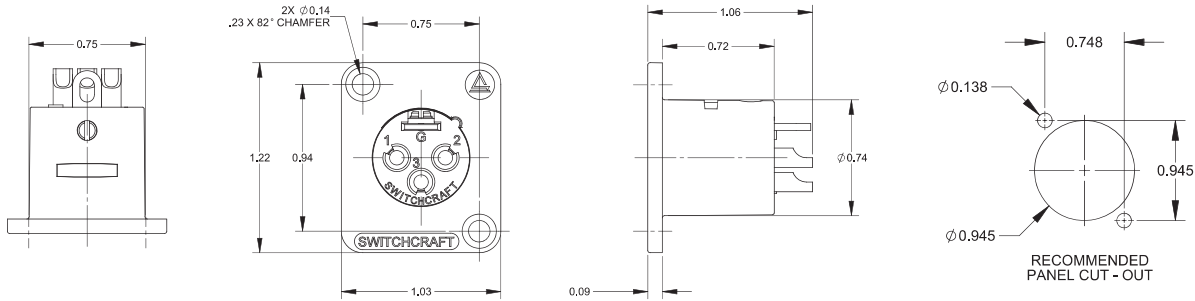


5555 N Elston Ave | Chicago, IL 60630 | P: 773.792.2700 | F: 773.792.2129 | www.switchcraft.com | Made in USA.

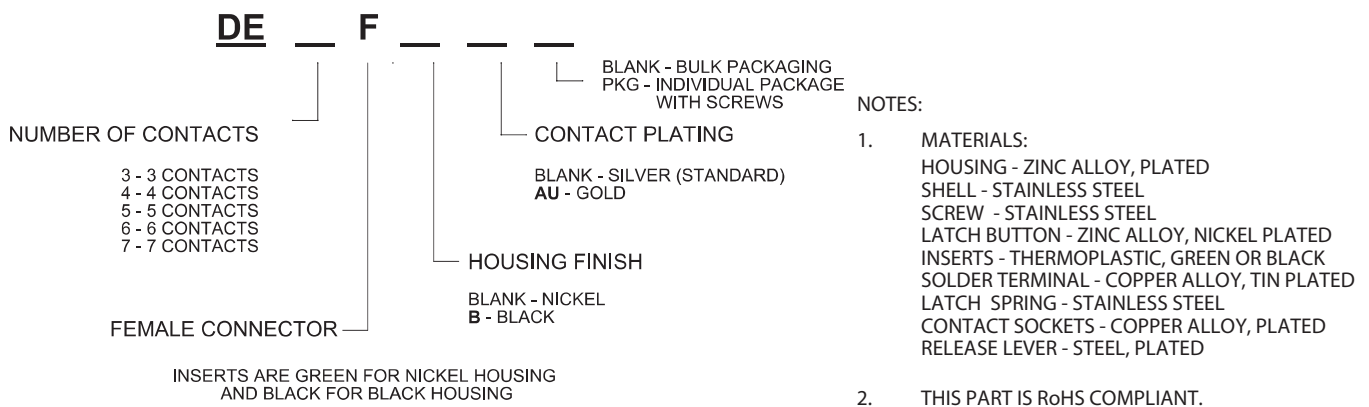
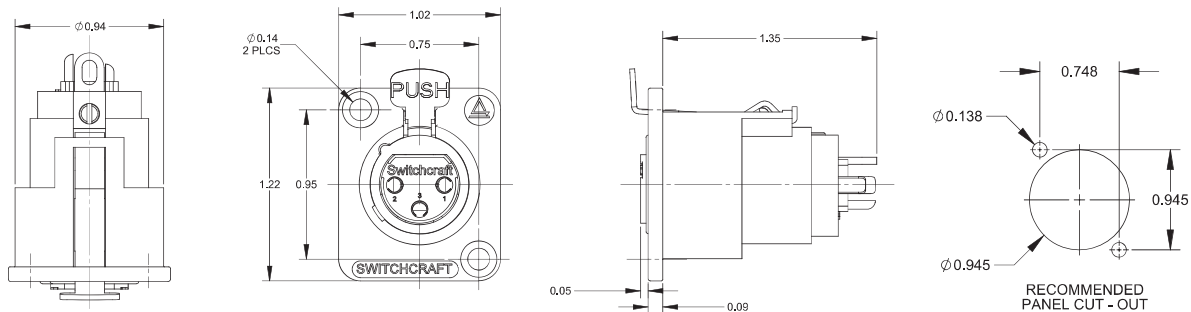
DE SERIES PANEL MOUNT XLR CONNECTORS

NEW PRODUCT BULLETIN 603

MALE DE SERIES CONNECTORS



FEMALE DE SERIES CONNECTORS



ALL DIMENSIONS ARE REFERENCE ONLY



Please visit www.switchcraft.com for the most up-to-date product specifications. Made in USA.

X-ON Electronics

Largest Supplier of Electrical and Electronic Components

Click to view similar products for [XLR Connectors](#) category:

Click to view products by [Switchcraft](#) manufacturer:

Other Similar products are found below :

[707-0300](#) [A3F01](#) [A3M01](#) [QGP3F](#) [HA16PRM-3SG\(71\)](#) [AA3FL](#) [AAA4FWZ](#) [AAA4MWZ](#) [AC5FPZB](#) [AC6AFDZV](#) [D4FB](#) [DE4MW](#)
[E3MBAUSW](#) [99.265.0400.0](#) [A3F04](#) [AC3FG](#) [AC4-FCP](#) [AQG4F](#) [2504FP](#) [R6MZ](#) [3FD-V-I-B](#) [3MD-V-I-B](#) [TA01](#) [TA3MWX](#) [TA5MLWX](#)
[TRASM4M1X](#) [TRASM7M1X](#) [ML1](#) [TS05TS](#) [3FD-L-I-\(O\)](#) [D6FDB](#) [DB25FTRS](#) [DHNF-BAG-MAD](#) [DHNF-BAG-O](#) [DHNM-BAG](#)
[XLR05TRS](#) [XLRM05XLR05](#) [XLRM05XLRFB](#) [XLRM10XLR05](#) [E3FBAUSW](#) [E3FSW](#) [E3MSW](#) [SR03](#) [TA4FLWX](#) [TA6FLWX](#)
[TRAPC8M1X](#) [TRASM6M1X](#) [TRS10TRS](#) [TRSF05XLRM](#) [TRSF10XLRM](#)