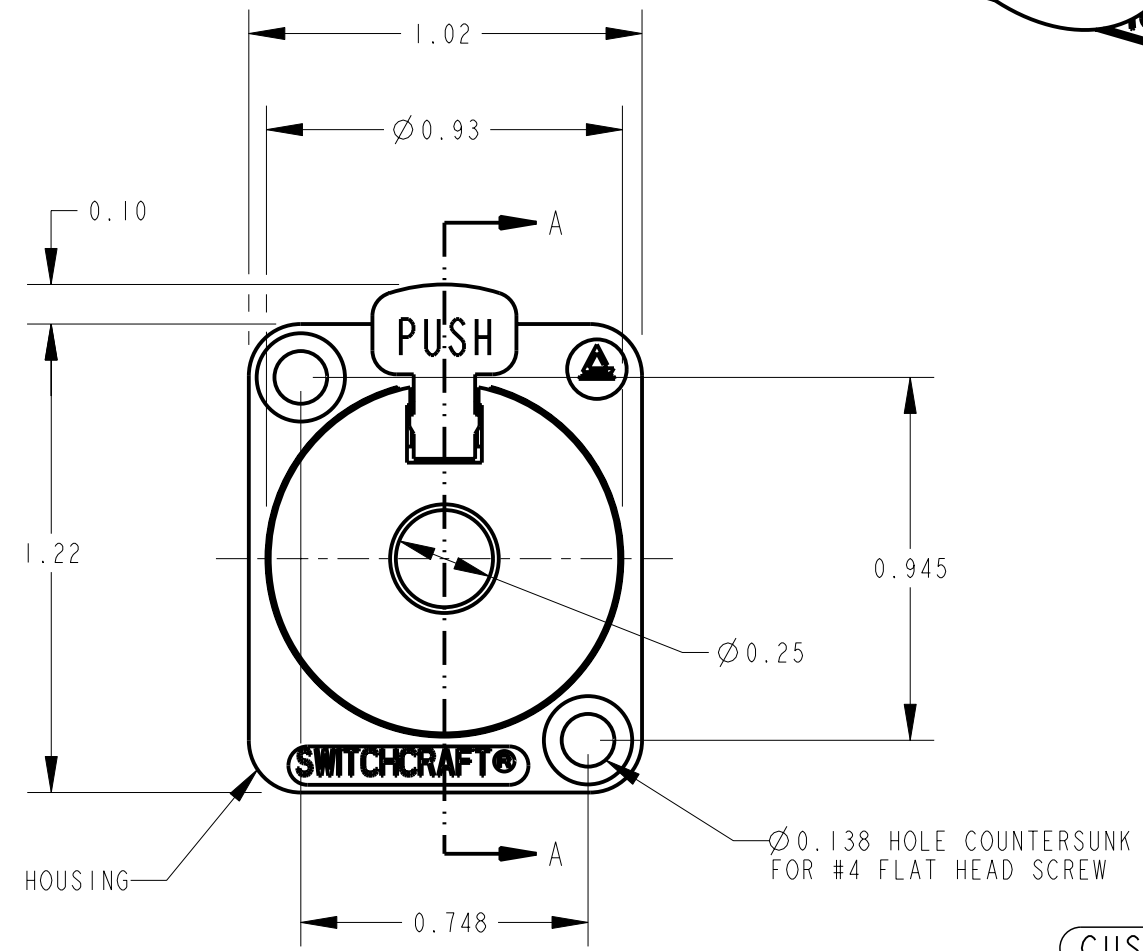
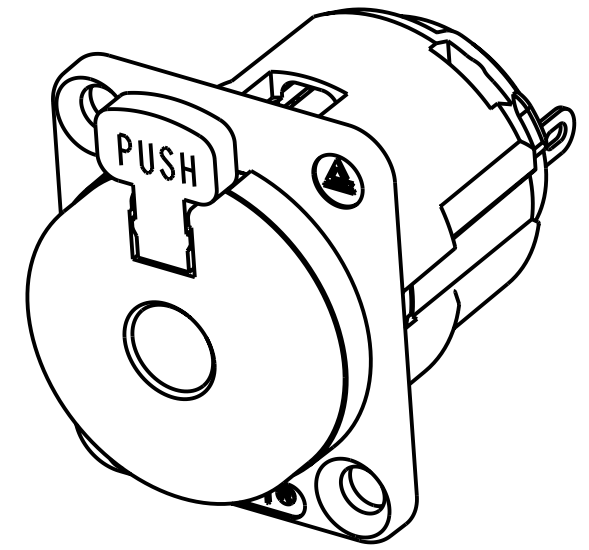


SECTION A-A



CUSTOMER DRAWING

NOTES:

- MATES WITH SWITCHCRAFT PART NO. 250 PLUG.
- MOUNTING HOLE: $\varnothing 0.938$
- MATERIALS:
 HOUSING: ZINC ALLOY, SATIN NICKEL PLATED
 PLUG HOUSING: THERMOPLASTIC, BLACK
 LATCH: THERMOPLASTIC, RED
 LATCH RELEASE: ZINC ALLOY, NICKEL PLATED
 SLEEVE & TIP SPRINGS: NICKEL SILVER, ELECTRO-TIN PLATED
 TORSION & RETURN SPRINGS: MUSIC WIRE, TINNED
- THIS PRODUCT IS RoHS COMPLIANT.

REV	ECO NUMBER	DATE	BY	APVD
B	18079	3-5-93	TJK	TJK
REVISIONS				

★ STAR SYMBOL DENOTES CRITICAL DIMENSION

UNLESS OTHERWISE SPECIFIED

- ALL DIMENSIONS IN INCHES
 - TWO PLACE DECIMALS ± 0.01
 - THREE PLACE DECIMALS ± 0.005
 - ANGLES $\pm 1^\circ$
 - ALL DIA. CONCENTRIC WITHIN 0.005 T.I.R.
- FEATURES ON THE SAME CENTERLINE MUST BE ALIGNED WITHIN ± 0.002
- REMOVE ALL BURRS

DO NOT SCALE DRAWING

THIS DRAWING DESCRIBES A DESIGN CONSIDERED PROPRIETARY IN NATURE, DEVELOPED AND MANUFACTURED BY SWITCHCRAFT INC. AND IS RELEASED ON A CONFIDENTIAL BASIS FOR IDENTIFICATION PURPOSES ONLY.									
SIZE		WIDTH		MULT		LBS/M		TEMPER	
FINISH					MATERIAL				
SPEC No.					SPEC No.				
FIRST USED ON				SCALE					
				2:1					
DATE DRAWN	BY	CHKD	APVD						
1/24/12	TJK	TJK	TJK						
		1/24/12	1/24/12						
NAME "E" SERIES - 1/4"								PART No.	
2 CONDUCTOR LOCKING JACK, RoHS								E111L	
								REV B	



X-ON Electronics

Largest Supplier of Electrical and Electronic Components

Click to view similar products for [Phone Connectors](#) category:

Click to view products by [Switchcraft](#) manufacturer:

Other Similar products are found below :

[M444B](#) [6J1041A](#) [R4F](#) [128PKG](#) [RJ3VI](#) [E12BPKG](#) [ECP4PKG](#) [161-3300N-EX](#) [161-3502L-E](#) [161-7900HS-EX](#) [163-157J-E](#) [MT333X](#) [171-0350-EX](#) [171-105AC-EX](#) [171-3325-EX](#) [171-6435-EX](#) [176S](#) [NC3MG-V](#) [NMJ4HFD2-NW](#) [NRJ4HH-1](#) [NS112BX](#) [NYS228G](#) [NYS352AG](#) [P10834](#) [P2380](#) [P2381X](#) [P2411X](#) [P2412](#) [P2724](#) [9144](#) [S2674](#) [163-156N-2-E](#) [163-158N-2-E](#) [171-0250-EX](#) [171-3308-EX](#) [171-3500-E](#) [171-PA3191-2-E](#) [ST-3141-5N](#) [229](#) [2501FT](#) [CMT335](#) [M10662](#) [330Q](#) [RJ5VI-S](#) [40116](#) [TM1R-AU](#) [TM2PBMJ-AU](#) [TM2PJ-AU](#) [TM2PJ-AU](#) [BULK](#) [4803.1351](#)