

E SERIES PART NUMBERING SYSTEM

CONNECTOR PART NUMBER SCHEME

Series	Pins/ Contacts	Gender	Fas-disconnect Option	Termination Style	Housing Finish	Terminal Finish	Mounting Hole Options
E	3-5 pins	F: Female M: Male	D: Fas-disconnect Blank: Standard locking	ST: Straight PC terminals RA: Right angle PC terminals SC: Solder cups Blank: Conical springs*	B: Black Blank: Nickel	AU: Gold Blank: Silver	M3: M3 x 0.5 thread 440: #4-40 thread Blank: Counter- sunk hole

HOUSING ONLY PART NUMBER SCHEME

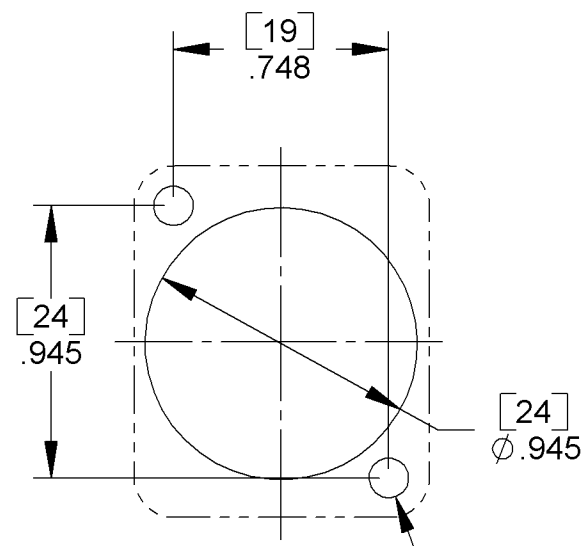
Series	Pins/ Contacts	Housing Finish	Mounting Hole Options
E	F: Female M: Male	B: Black Blank: Nickel	M3: M3 x 0.5 thread 440: #4-40 thread Blank: Counter-sunk hole

INSERT ONLY PART NUMBER SCHEME

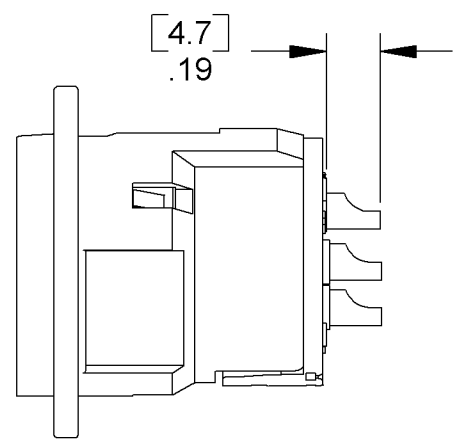
Series	Pins/ Contacts	Gender	Fas-disconnect Option	Termination Style	Housing Finish	Terminal Finish
E	3-5 pins	F: Female M: Male	D: Fas-disconnect Blank: Standard locking	ST: Straight PC terminals RA: Right angle PC terminals SC: Solder cups Blank: Conical springs*		AU: Gold Blank: Silver

*3-pin only

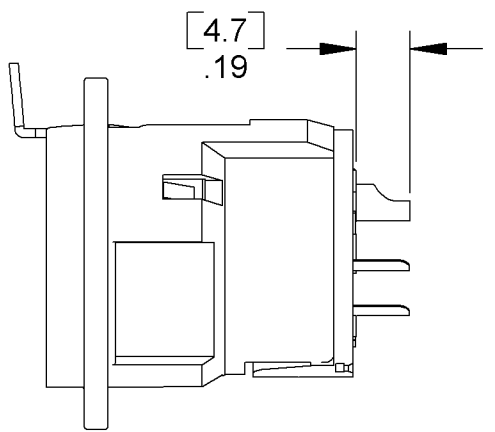
DIMENSIONS ARE FOR REFERENCE ONLY $\frac{\text{Inch}}{(\text{mm})}$



PANEL CUT-OUT
FRONT OR REAR MOUNT

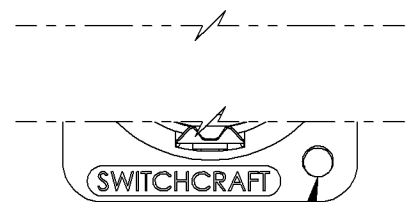


MALE SOLDER CUP
OPTION "SC"



FEMALE SOLDER CUP
OPTION "SC"

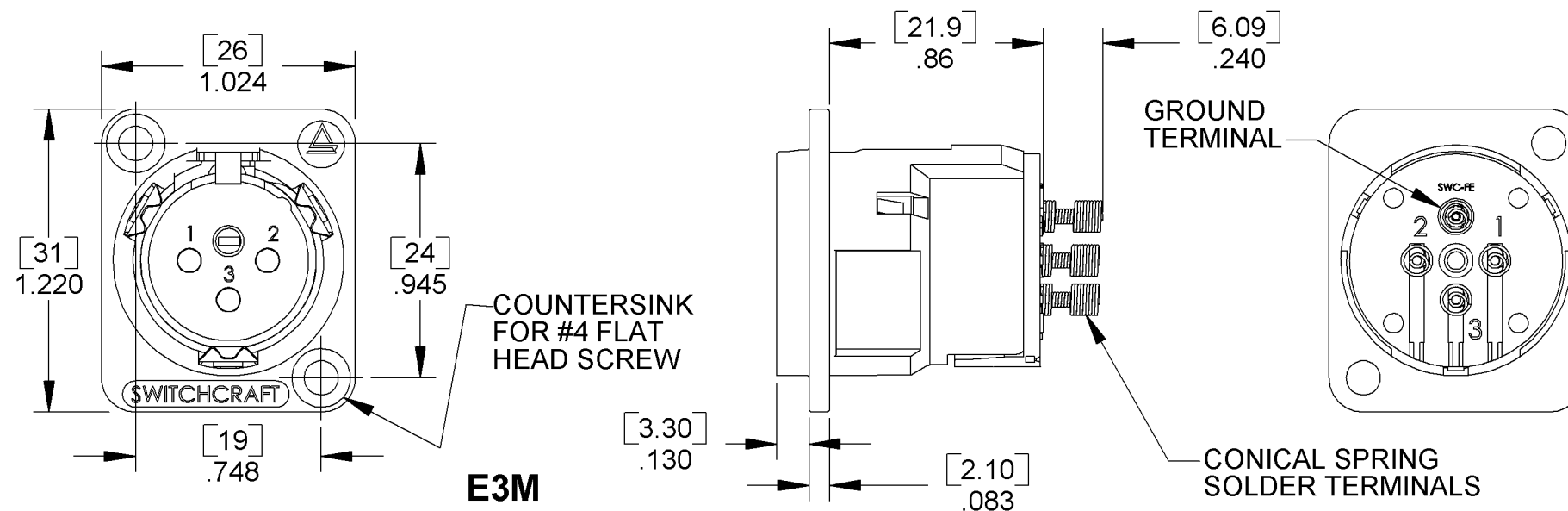
REAR MOUNT OPTIONS



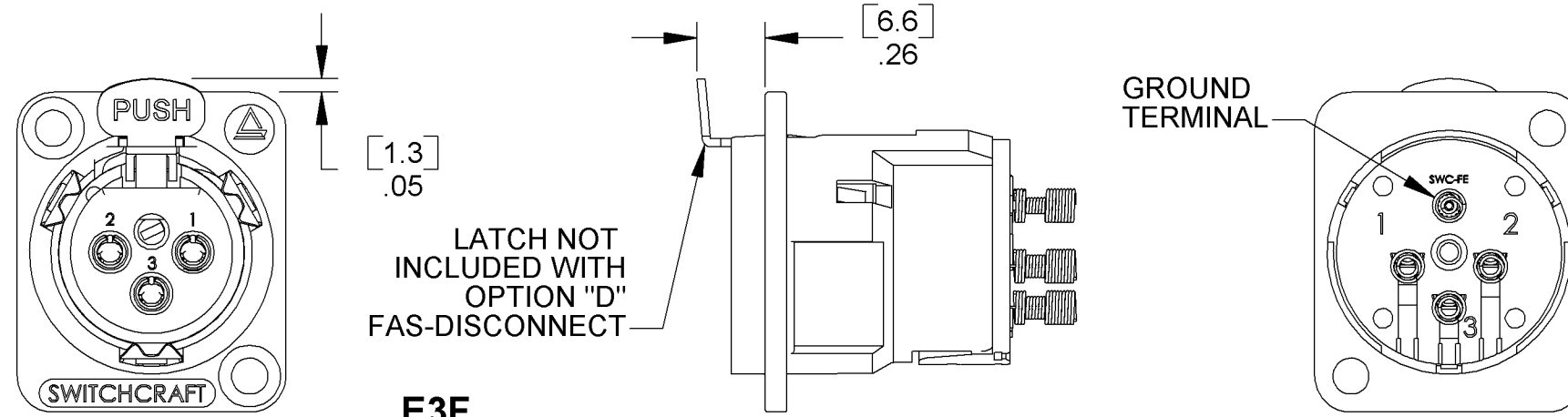
MOUNTING
HOLE TYP (2)

OPTION "M3"
M3 x 0.5 THREADED HOLES

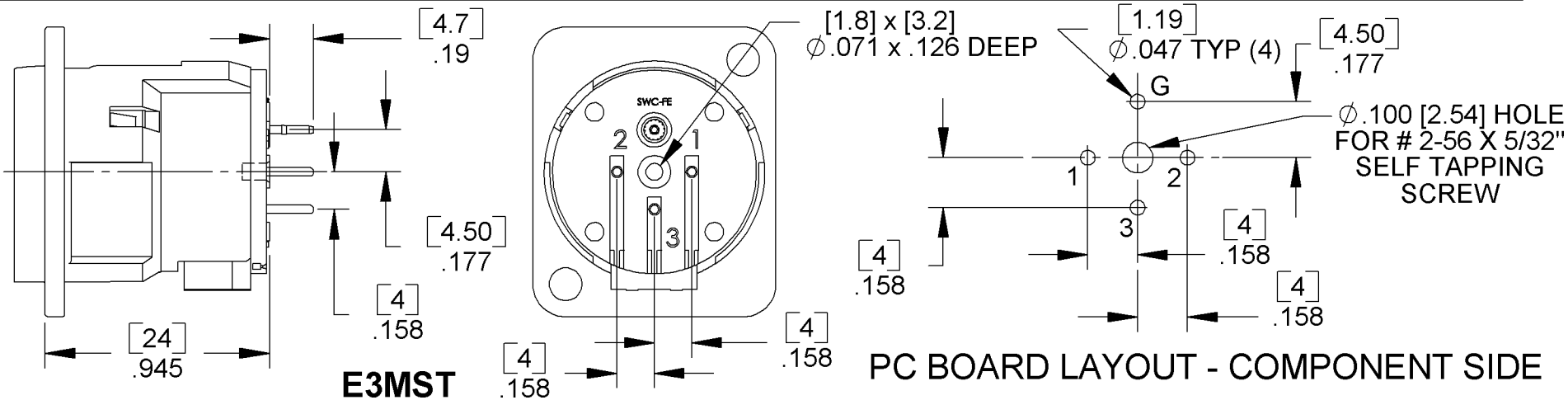
OPTION "440"
#4-40 THREADED HOLES



E3M

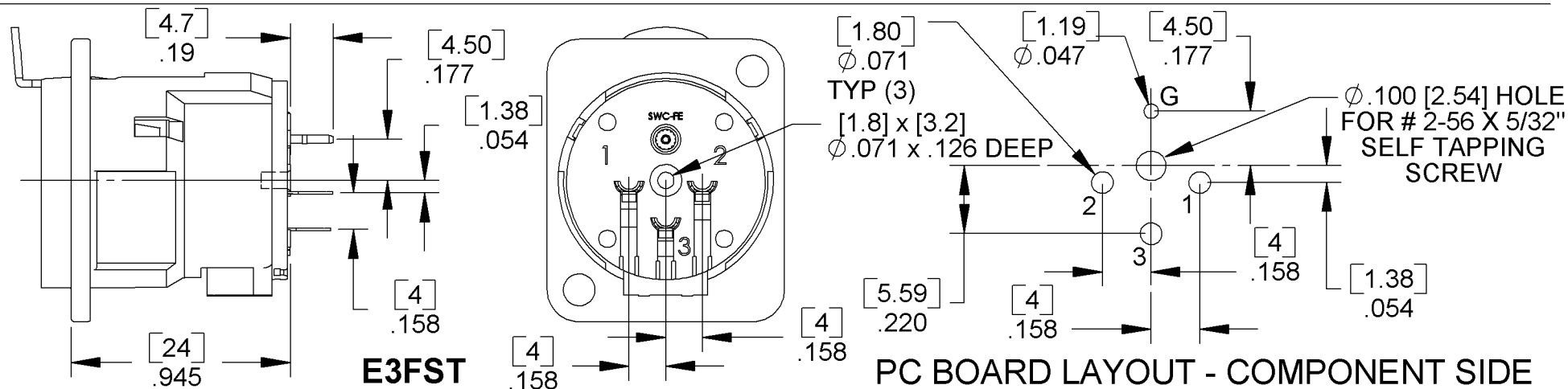


E3F



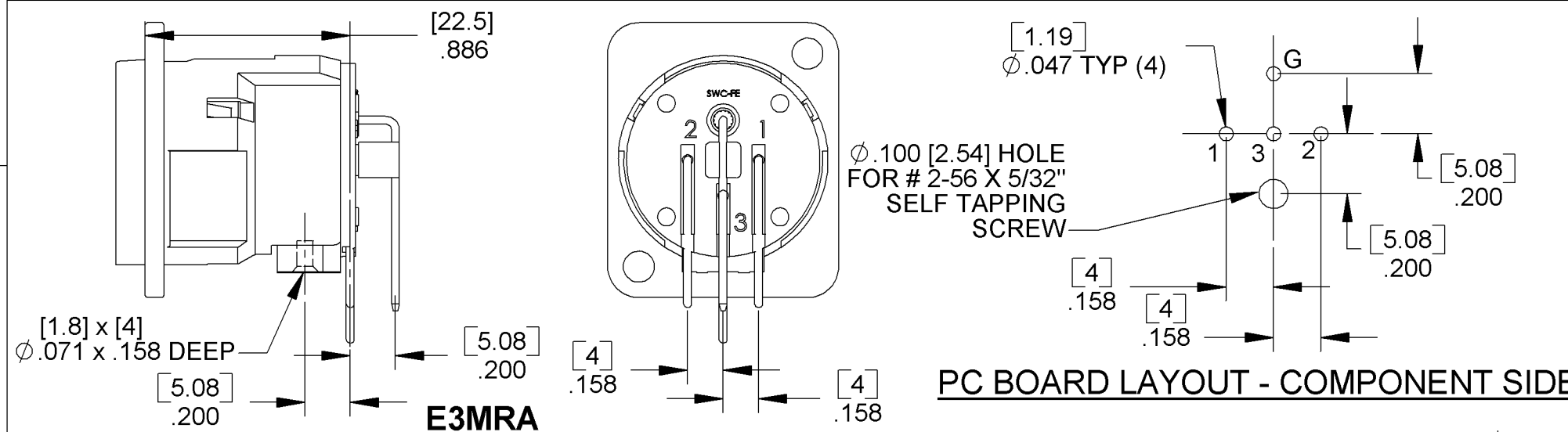
E3MST

PC BOARD LAYOUT - COMPONENT SIDE



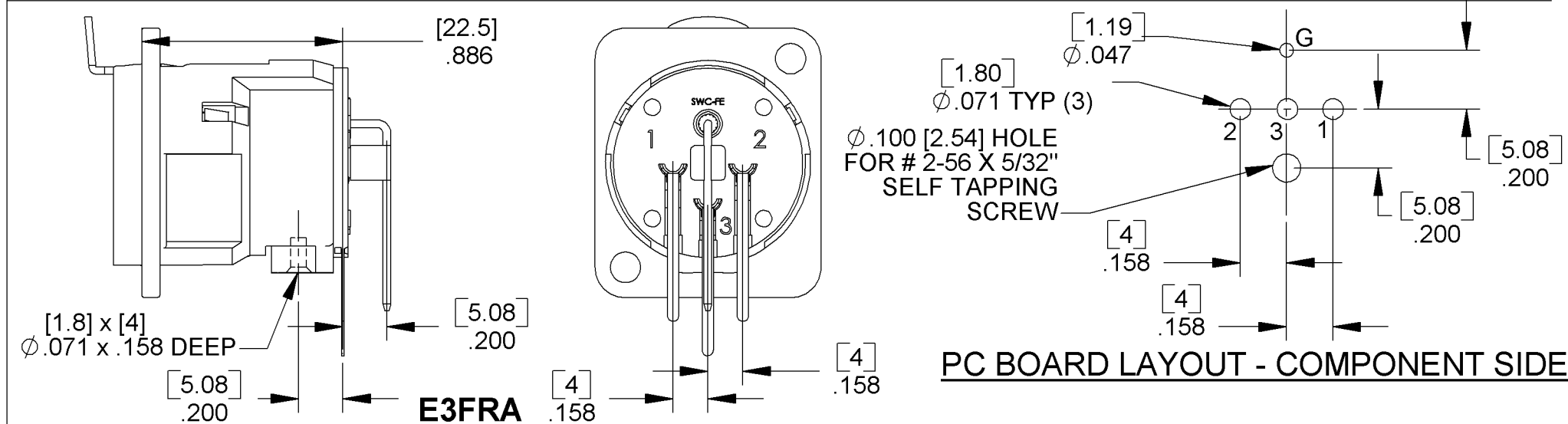
E3FST

PC BOARD LAYOUT - COMPONENT SIDE



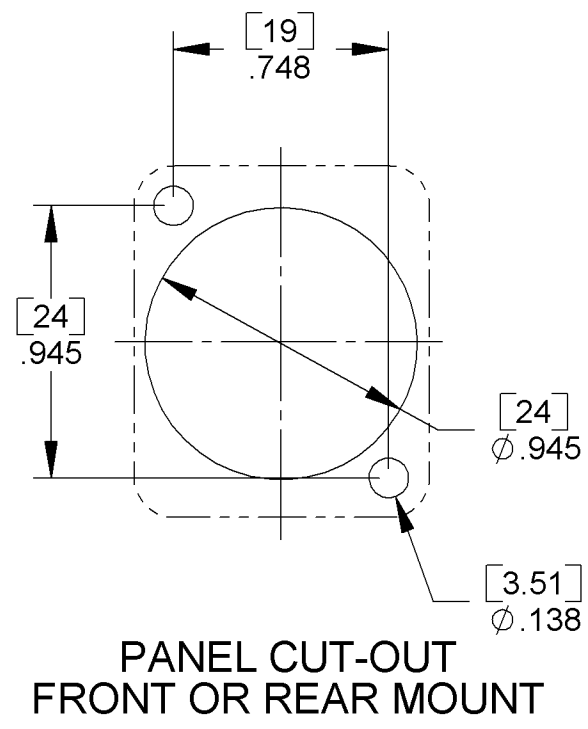
E3MRA

PC BOARD LAYOUT - COMPONENT SIDE

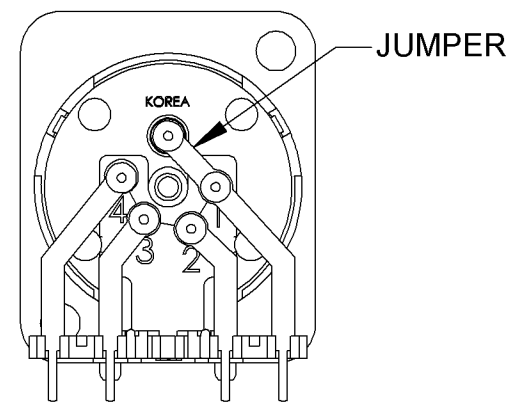


E3FRA

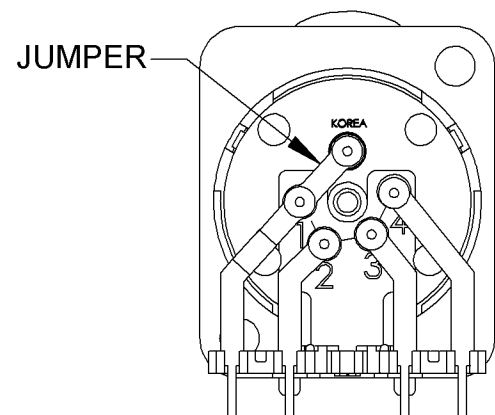
PC BOARD LAYOUT - COMPONENT SIDE



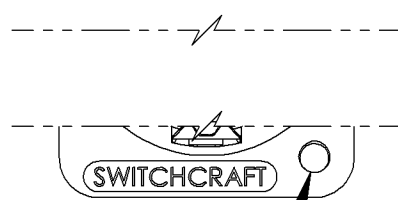
MALE CONNECTOR
GROUND TO PIN #1
OPTION "G1"



FEMALE CONNECTOR
GROUND TO PIN #1
OPTION "G1"



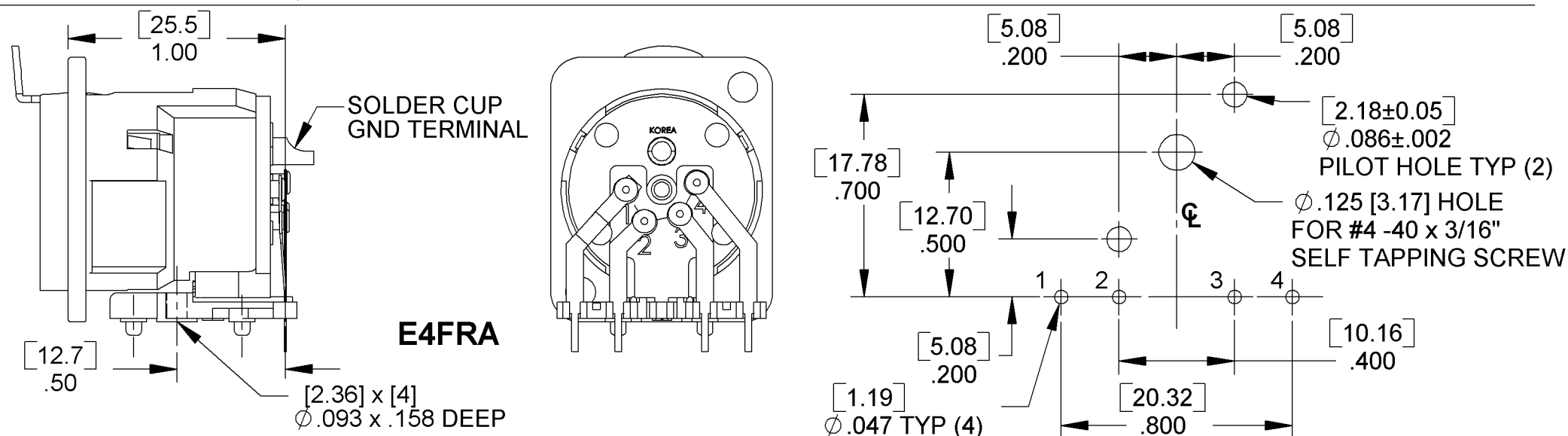
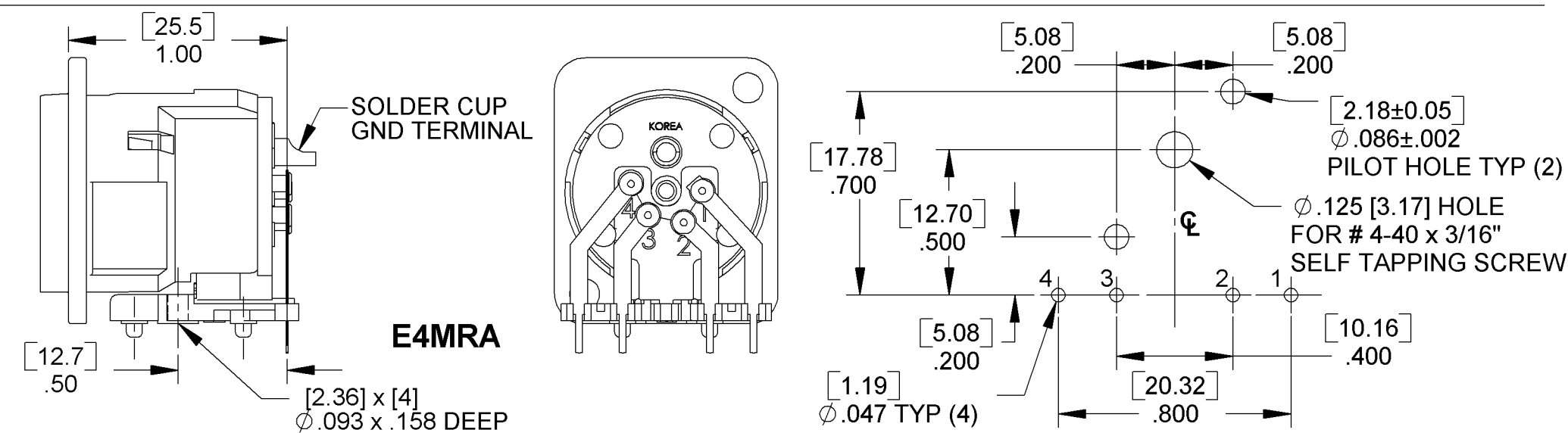
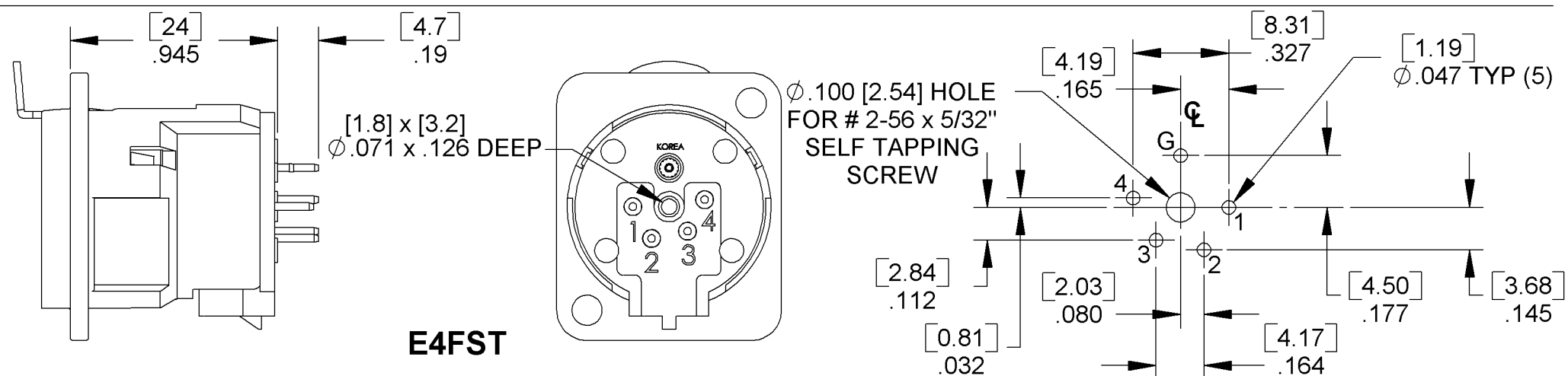
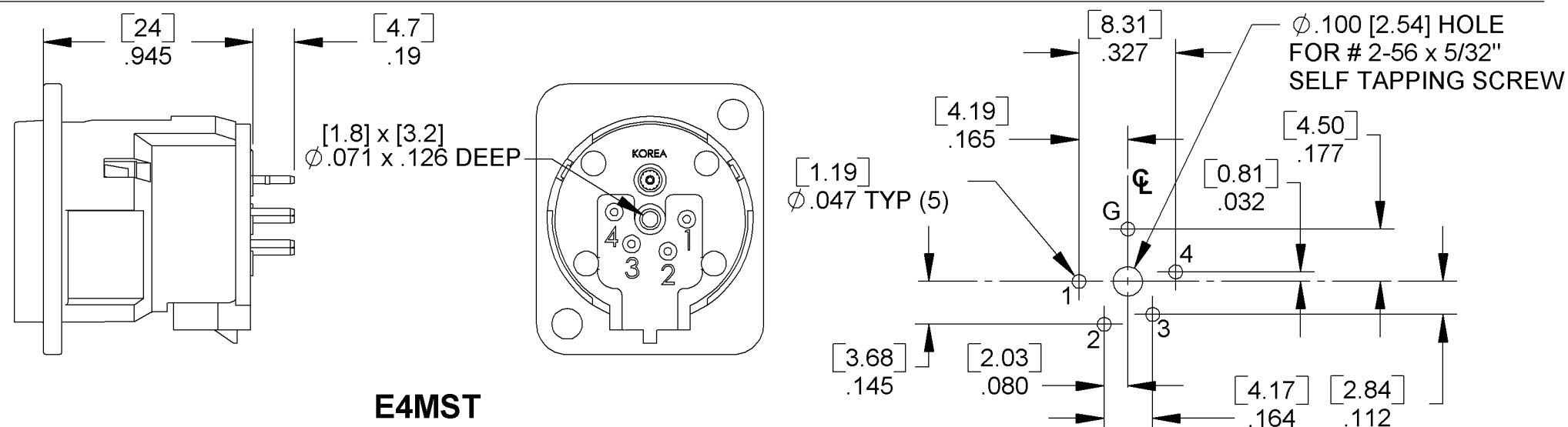
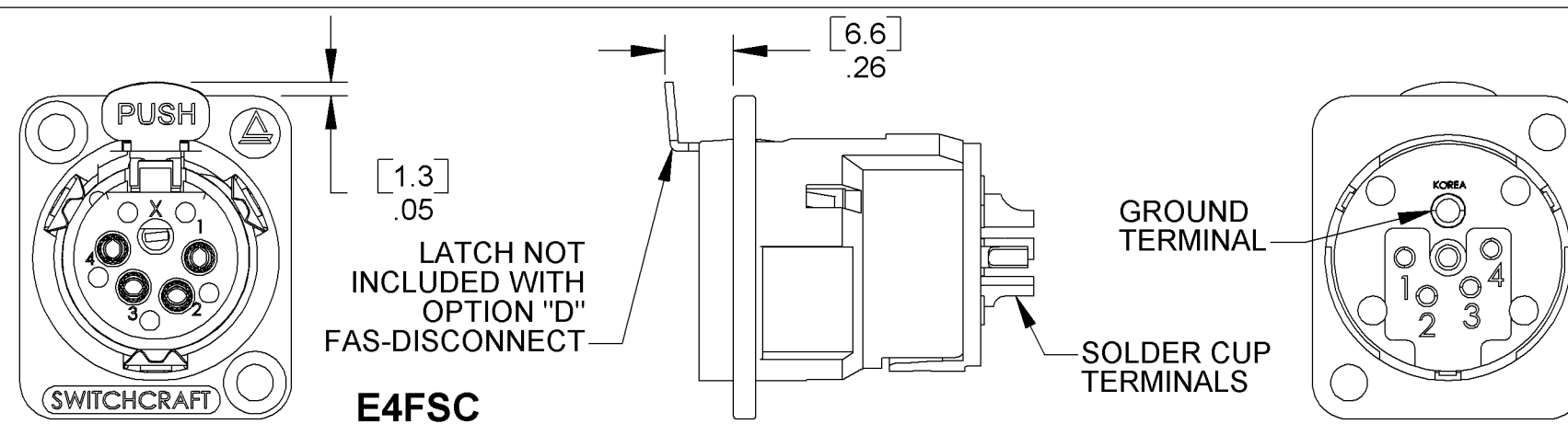
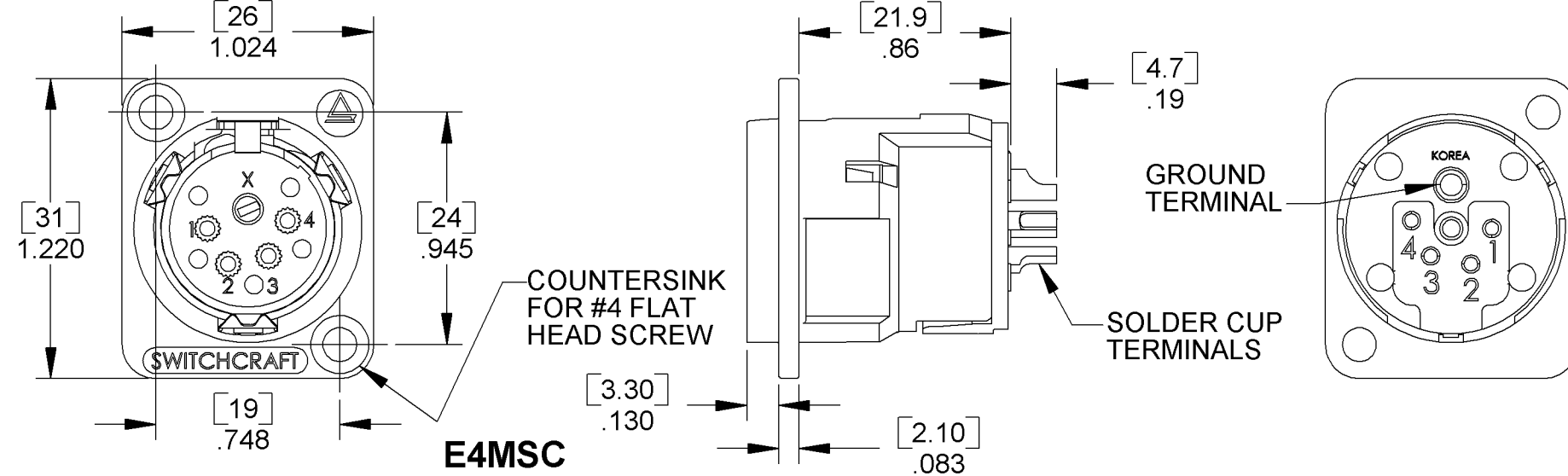
REAR MOUNT OPTIONS

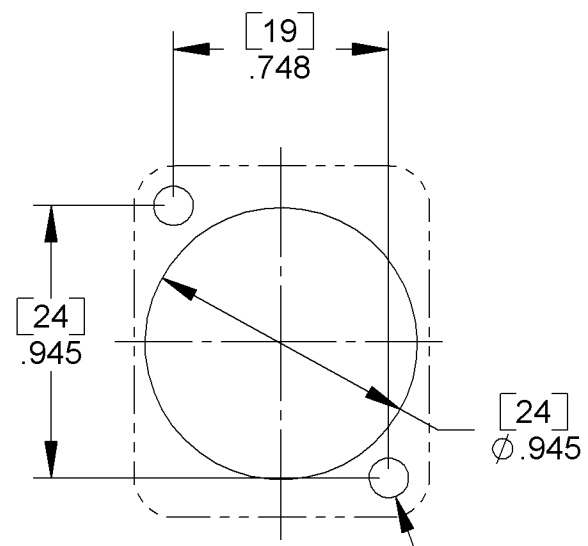


MOUNTING
HOLE TYP (2)

OPTION "M3"
M3 x 0.5 THREADED HOLES

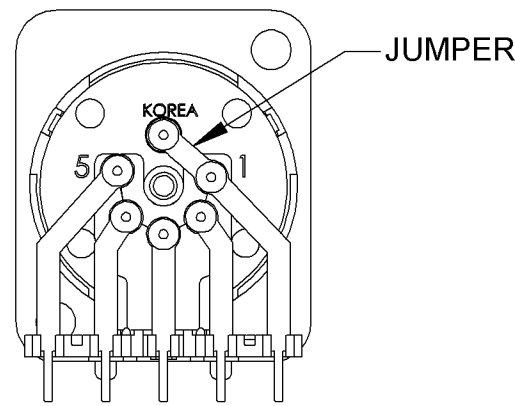
OPTION "440"
#4-40 THREADED HOLES



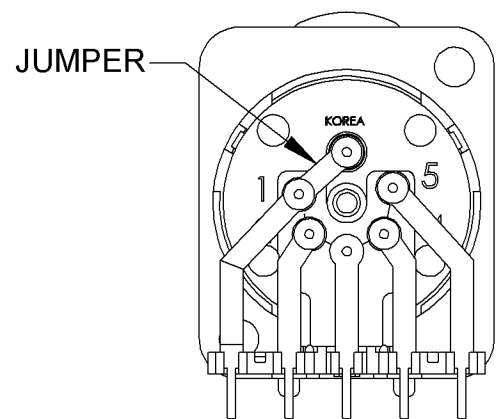


PANEL CUT-OUT
FRONT OR REAR MOUNT

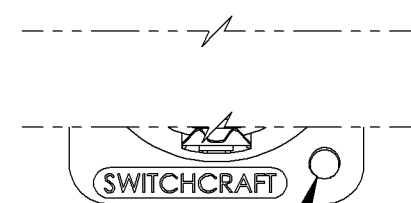
MALE CONNECTOR
GROUND TO PIN # 1
OPTION "G1"



FEMALE CONNECTOR
GROUND TO PIN #1
OPTION "G1"



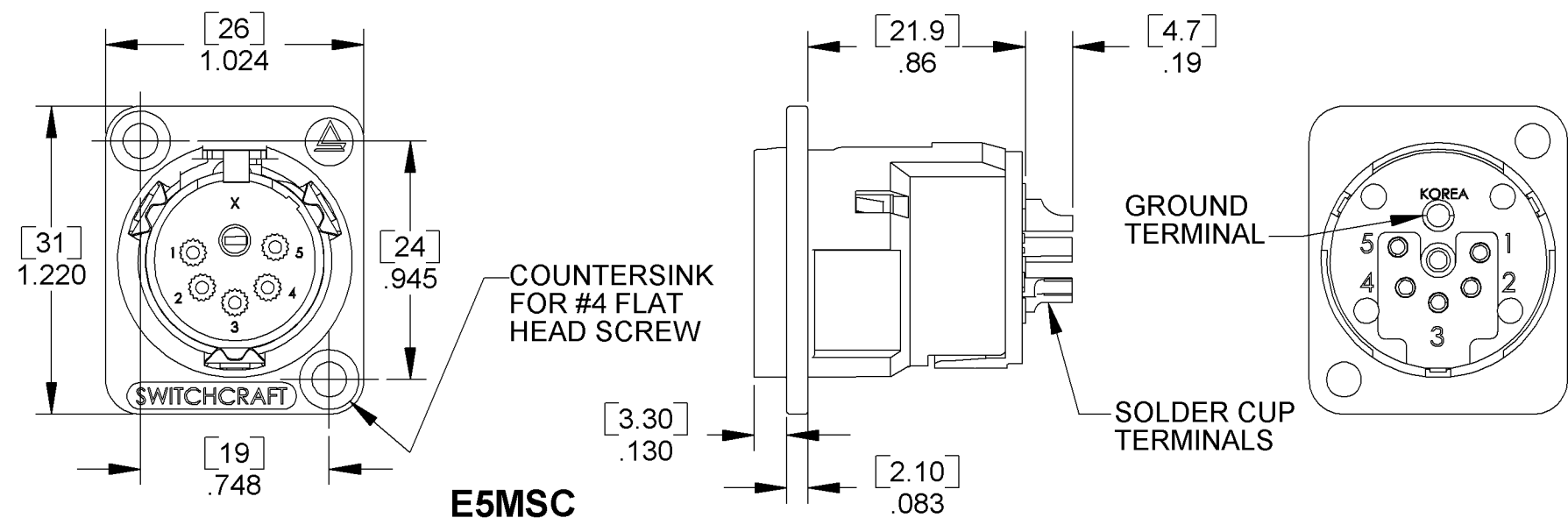
REAR MOUNT OPTIONS



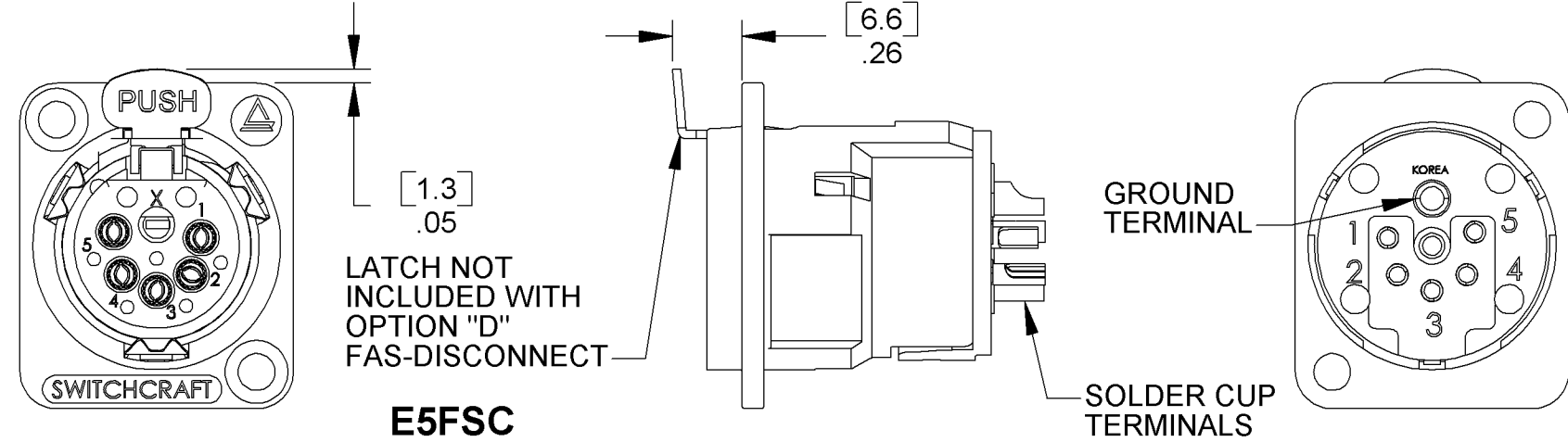
MOUNTING
HOLE TYP (2)

OPTION "M3"
M3 x 0.5 THREADED HOLES

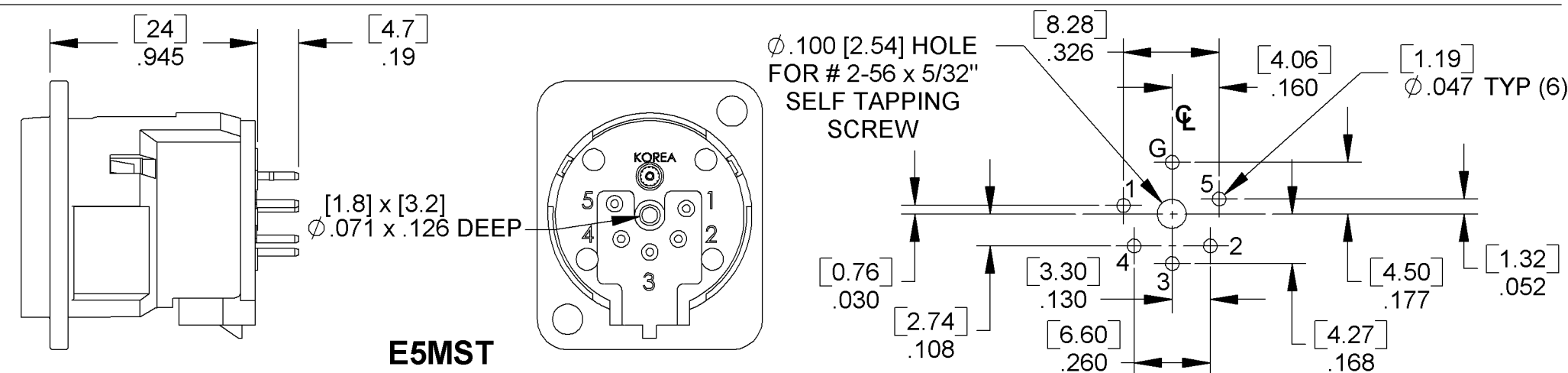
OPTION "440"
#4-40 THREADED HOLES



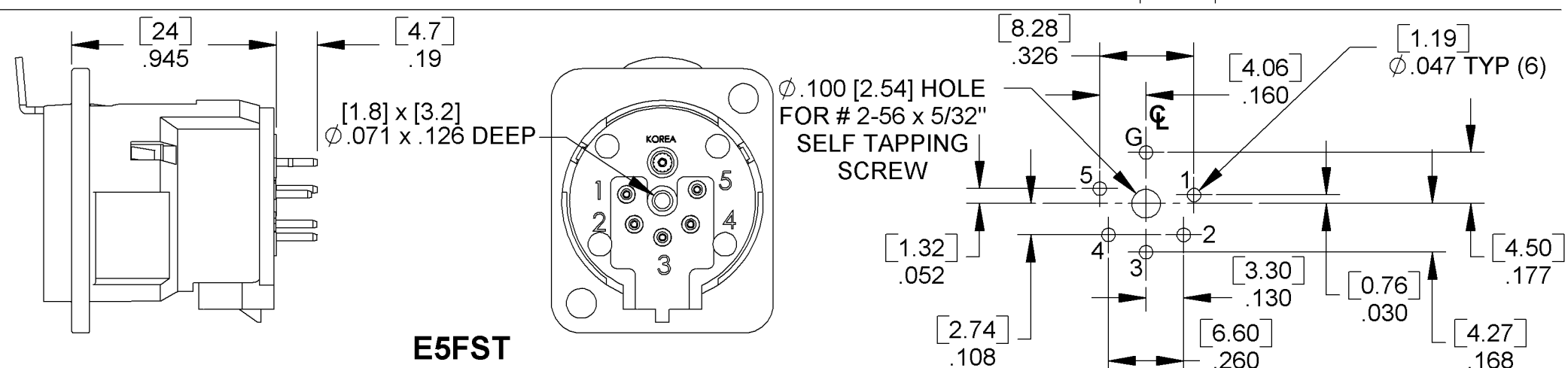
E5MSC



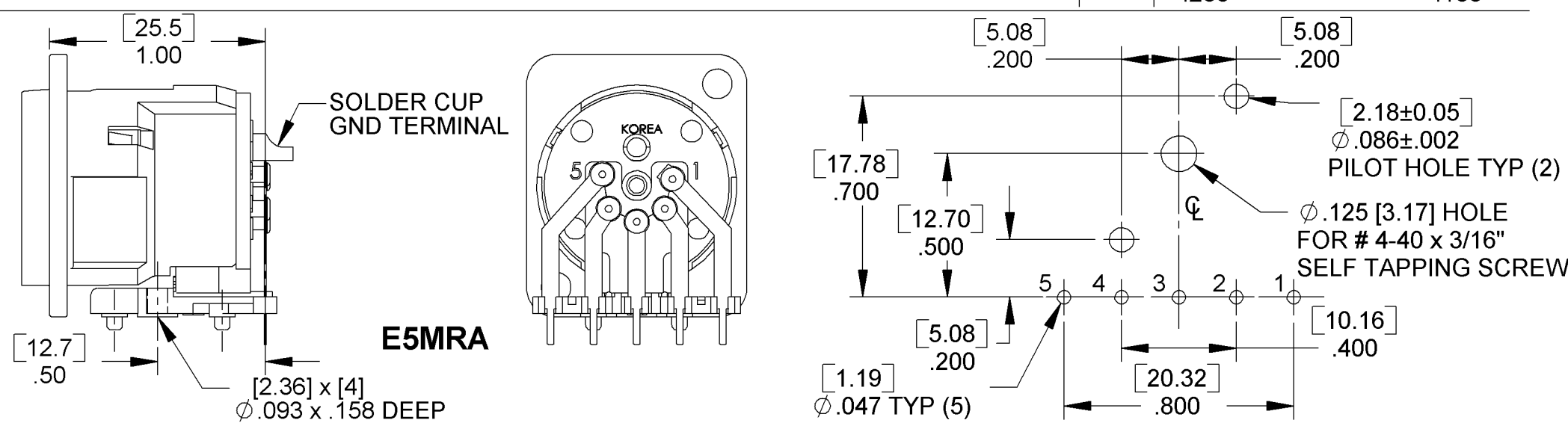
E5FSC



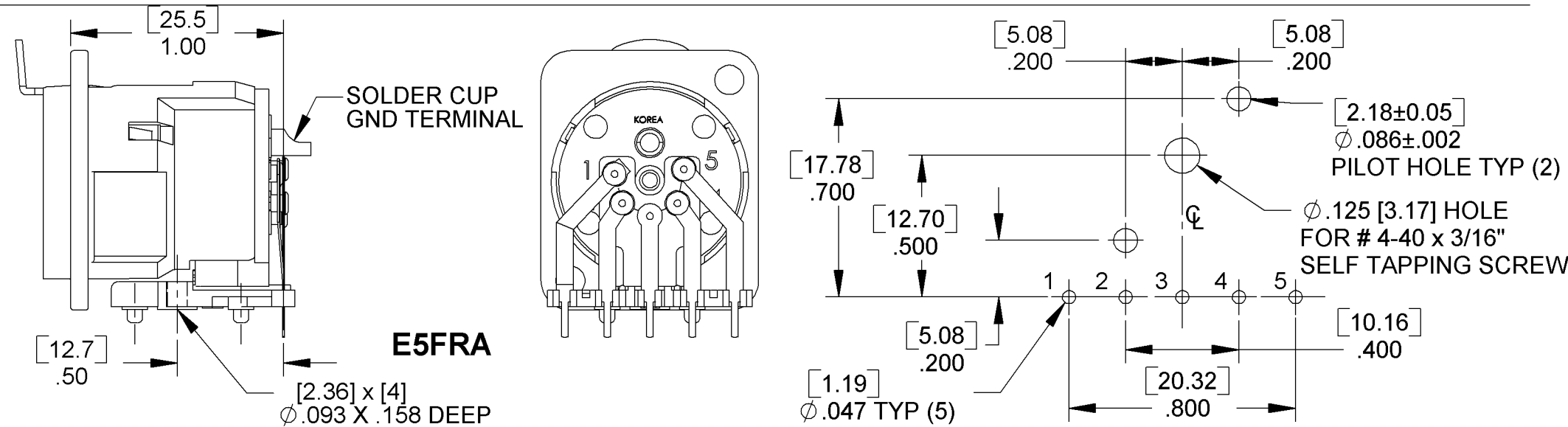
E5MST



E5FST



E5MRA



E5FRA

X-ON Electronics

Largest Supplier of Electrical and Electronic Components

Click to view similar products for [XLR Connectors](#) category:

Click to view products by [Switchcraft](#) manufacturer:

Other Similar products are found below :

[HA16PRQ-3SE\(71\)](#) [AAA4FWZ](#) [AAA4MWZ](#) [AC5FPZB](#) [DE4MW](#) [E3MBAUSW](#) [99.265.0400.0](#) [AC4-FCP](#) [AQG4F](#) [3FD-V-I-B](#) [3MD-V-I-B](#)
[TA01](#) [TA3MWX](#) [TA5MLWX](#) [TRASM4M1X](#) [ML1](#) [3FD-L-I\(O\)](#) [DHNFBAG-O](#) [E3FBAUSW](#) [E3FSW](#) [TA4FLWX](#) [TA6FLWX](#) [WP2S4P](#)
[WP1S1](#) [WP1B2](#) [TA5FLWX](#) [NC3FEZY-P](#) [NC3FG-V](#) [NC6FSD-LX](#) [NC6MSD-LX](#) [NCJ6FK-V](#) [NCXX-PROMO](#) [NA2FPMM/W](#) [NC3FD-L](#)
[NC3FD-L-0-1](#) [NC3FX-1-D](#) [NC3MX-1-D](#) [NC3MXY-B](#) [NC5FDM3-V-BAG](#) [SL04](#) [3FD-V-I-0](#) [AC3-FIC](#) [E3FBSW](#) [E3MBSW](#) [AC6AMJ-AU](#)
[TRG4MX](#) [352AX](#) [TRGS4F](#) [TRG4M](#) [AC5MJ BULK](#)