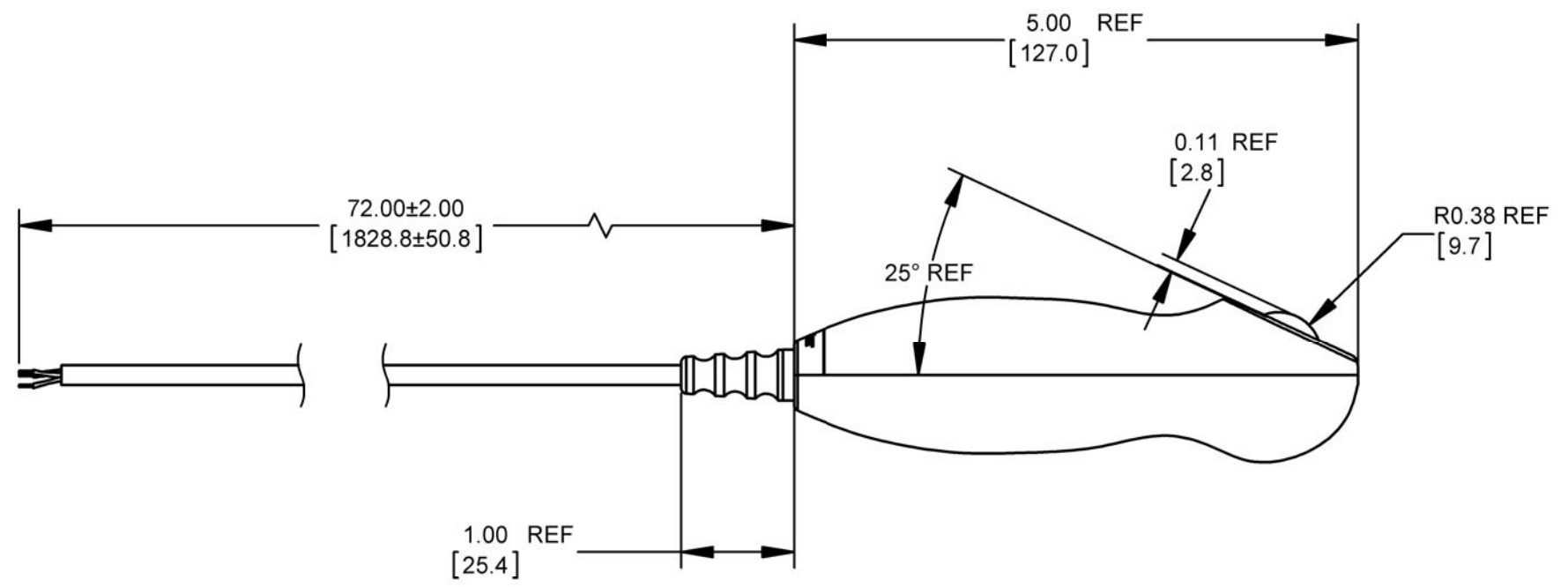
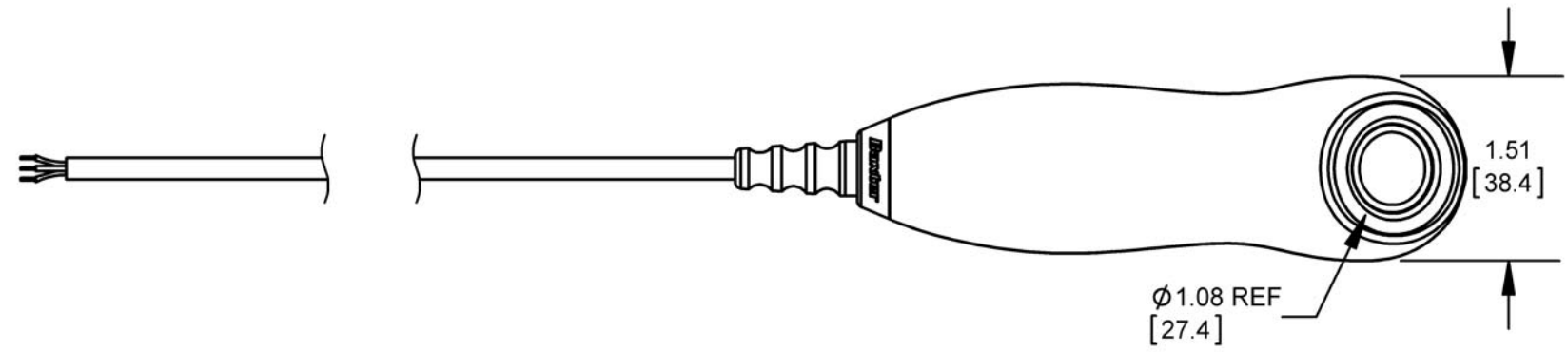
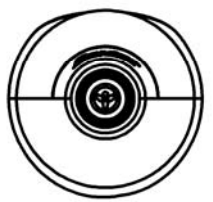


SCHEMATIC CIRCUIT  
1A WITH LEDs



NOTES:

- SPECIFICATIONS:**  
 ALTERNATE ACTION  
 SWITCH: SINGLE POLE N.O. FOR CONTROLLING LOADS  
 KEY TRAVEL 0.14 INCHES  
 GOLD CONTACT FINISH IN CONTACT AREA  
 SWITCHING VOLTAGE OF N.O. CONTACTS: 28VOLTS DC  
 MAXIMUM SWITCHING CURRENT 250mA  
 LED VOLTAGE 4.75 TO 28 VOLTS DC AT RED WIRE REF TO BLACK WIRE  
 OPERATING LIFE 100,000 CYCLES  
 OPERATING TEMPERATURE -25 TO +75°C  
 ACTUATING FORCE LESS THAN 3 lb  
 IP66
- MATERIALS:**  
 SWITCH HOUSING: GRAY THERMOPLASTIC  
 ACTUATING BUTTON: NATURAL COLORED ELASTOMER  
 CONTACTS: COPPER ALLOY WITH GOLD PLATING IN CONTACT AREA  
 TERMINALS COPPER ALLOY, PLATED TIN  
 STRAIN RELIEF: NATURAL COLORED ELASTOMER  
 CABLE: 4 CONDUCTOR, 26 AWG STRANDED, GRAY PVC JACKET

**CUSTOMER DRAWING**

					THIS DRAWING DESCRIBES A DESIGN CONSIDERED PROPRIETARY IN NATURE, DEVELOPED AND MANUFACTURED BY SWITCHCRAFT INC. AND IS RELEASED ON A CONFIDENTIAL BASIS FOR IDENTIFICATION PURPOSES ONLY.					
					SIZE *	WIDTH *	MULT *	LBS/M *	TEMPER *	
					FINISH *			MATERIAL *		
					SPEC No. *			SPEC No. *		
					FIRST USED ON *		SCALE 1:1			
DATE DRAWN		BY	CHKD		APVD					
1-14-16		SRC	12-5-16		TJK					
			SRC		2-1-17					
					NAME				PART No.	REV
					PENDANT, PL-PR WITH BLUE LED				E921KALN	A
REVISIONS					DO NOT SCALE DRAWING					
A	ECO 27837	2-1-17	SRC	TJK						
REV	ECO NUMBER	DATE	BY	APVD						

## X-ON Electronics

Largest Supplier of Electrical and Electronic Components

*Click to view similar products for [Pushbutton Switches](#) category:*

*Click to view products by [Switchcraft](#) manufacturer:*

Other Similar products are found below :

[8940K2012](#) [LW1L-M1C10V-A](#) [LW1L-M1C70-A](#) [LW2L-A1C20M-GD](#) [LW2L-M1C20M-A](#) [60324L](#) [M22-D-R-GB0/K11](#) [M7E-HRN2](#)  
[67021K512](#) [67081K512X](#) [701PB580](#) [7199K101](#) [810K12910](#) [810KSV30B](#) [MML21EA2ADK](#) [MML21KA3ABK](#) [MML23KA3AC05K-001](#)  
[MML23KW3AA01W](#) [8418K2](#) [8442K3](#) [8450K1](#) [860K11911T01A](#) [861901](#) [861K11911T01A07](#) [861K13810T00A14](#) [861K13911](#)  
[8646AB6X718UL](#) [8646ABUL](#) [9001KXRK](#) [907AYY100](#) [PMHD155A1](#) [9533CD4+U574+U4922](#) [95-414.000](#) [99-450.837](#) [99-453.837](#)  
[PV3H2B0NN-341](#) [1203MRA](#) [A22NZBGANGA](#) [A22NZBNANGA](#) [A22NZMPATRA](#) [A2PMA1X03EC56](#) [A3A-5123-02](#) [A3A-7140](#) [A3A-7310](#) [A3A-7340](#) [A3U-TMW-A2C-5M](#) [A595](#) [12037A2ULCSA](#) [ABD122N-B](#) [1211390004](#)