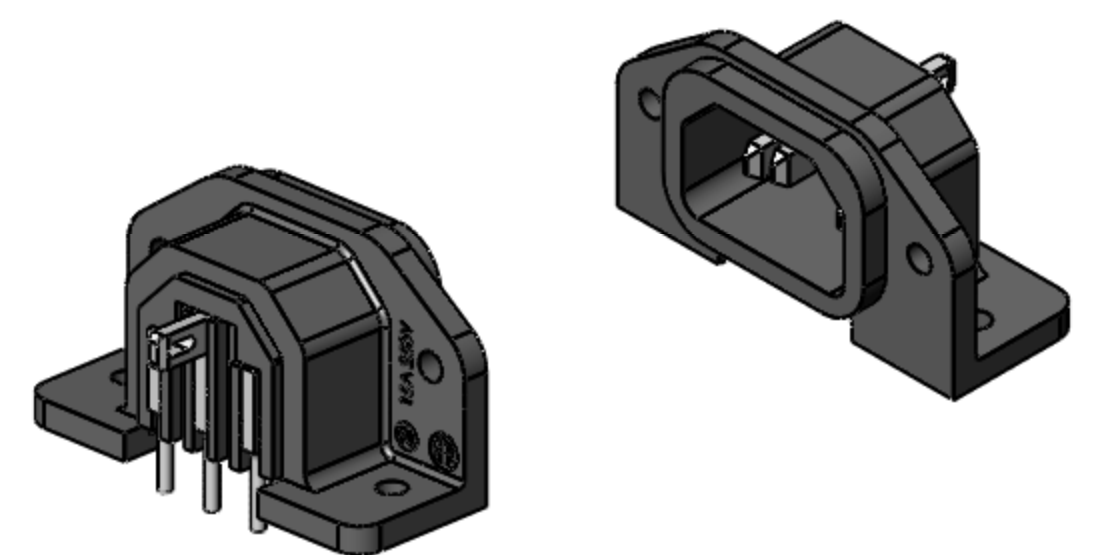


- NOTES:
1. MEETS IEC 60320 SPECIFICATION.
 2. AGENCY APPROVAL & RATING:
VDE: 10A, 250V AC.
UL & CSA: 15A, 250V AC.
 3. MATERIALS:
HOUSING AND COVER, BLACK THERMOPLASTIC.
TERMINALS, TIN PLATED COPPER ALLOY.
 4. THIS PRODUCT IS RoHS COMPLIANT.



CUSTOMER DRAWING

| | | | | | | | | | |
|------------------------------------|-------|----------|----|-----|--|-------|------|-------|----------|
| UNLESS OTHERWISE SPECIFIED | | | | | THIS DRAWING DESCRIBES A DESIGN CONSIDERED PROPRIETARY IN NATURE, DEVELOPED AND MANUFACTURED BY SWITCHCRAFT INC. AND IS RELEASED ON A CONFIDENTIAL BASIS FOR IDENTIFICATION PURPOSES ONLY. | | | | |
| 1. ALL DIMENSIONS IN INCHES | | | | | SIZE | WIDTH | MULT | LBS/M | TEMPER |
| - TWO PLACE DECIMALS ± 0.02 | | | | | FINISH | | | | MATERIAL |
| - THREE PLACE DECIMALS ± 0.005 | | | | | SPEC No. | | | | SPEC No. |
| DO NOT SCALE DRAWING | | | | | FIRST USED ON | | | | SCALE |
| REVISIONS | | | | | DATE DRAWN | BY | CHKD | APVD | 3:1 |
| L | 26887 | 11/29/11 | BL | TJK | 05/05/89 | TJK | GHJ | RV | 05/09/89 |
| K | 24129 | 03/27/02 | BL | TJK | NAME MALE AC RECEPTACLE RIGHT ANGLE PC MOUNT, RoHS | | | | |
| SolidWorks CAD File | | | | | PART No. EAC333 | | | | REV L |

Switchcraft®

SHEET 1 OF 1

X-ON Electronics

Largest Supplier of Electrical and Electronic Components

Click to view similar products for [AC Power Entry Modules](#) category:

Click to view products by [Switchcraft](#) manufacturer:

Other Similar products are found below :

[0098.0050](#) [6167.0002](#) [6609100-2](#) [7-6609955-2](#) [FKI2-50-6/M5](#) [FN361-6-06](#) [FN389-4-22](#) [FN9226B-6-02](#) [FN9233S1-10-06](#) [FN9233S1-8-06](#)
[FN9233S1B-8-06](#) [FN9233S1R-1-06](#) [FN9233S1R-12-06](#) [FN9233SB-1-06](#) [FN9233SB-12-06](#) [FN9233SB-8-06](#) [FN9233SR-10-06](#) [FN9244B-15-06HI](#) [FN9244EB-3-06](#) [FN9244EB-8-06](#) [FN9244ER-15-06](#) [FN9244ER-8-06](#) [FN9244ES1-8-06](#) [FN9244ESB-8-06](#) [FN9244R-12-06](#)
[FN9244S1-12-06](#) [FN9244S1R-3-06](#) [FN9244SB-8-06](#) [FN9244SR-6-06](#) [FN9244U-3-06](#) [FN9244U-8-06](#) [8-6609940-2](#) [PE00SSSXB](#) [Fuse-H-EUR-1](#) [Fuse-H-USA-1](#) [PM00XD000](#) [A-0701-HT-H](#) [15EJMS8](#) [1-6609941-2](#) [200JM6-2](#) [CA121003-6](#) [SK-1015\(F1-5\)](#) [161-R3015-E](#) [1-6609153-2](#) [FN323-1-05](#) [FN9233B-8-06](#) [FN9233EB-1-06](#) [FN9233ES1R-10-06](#) [FN9233R-12-06](#) [FN9233S-10-06](#)