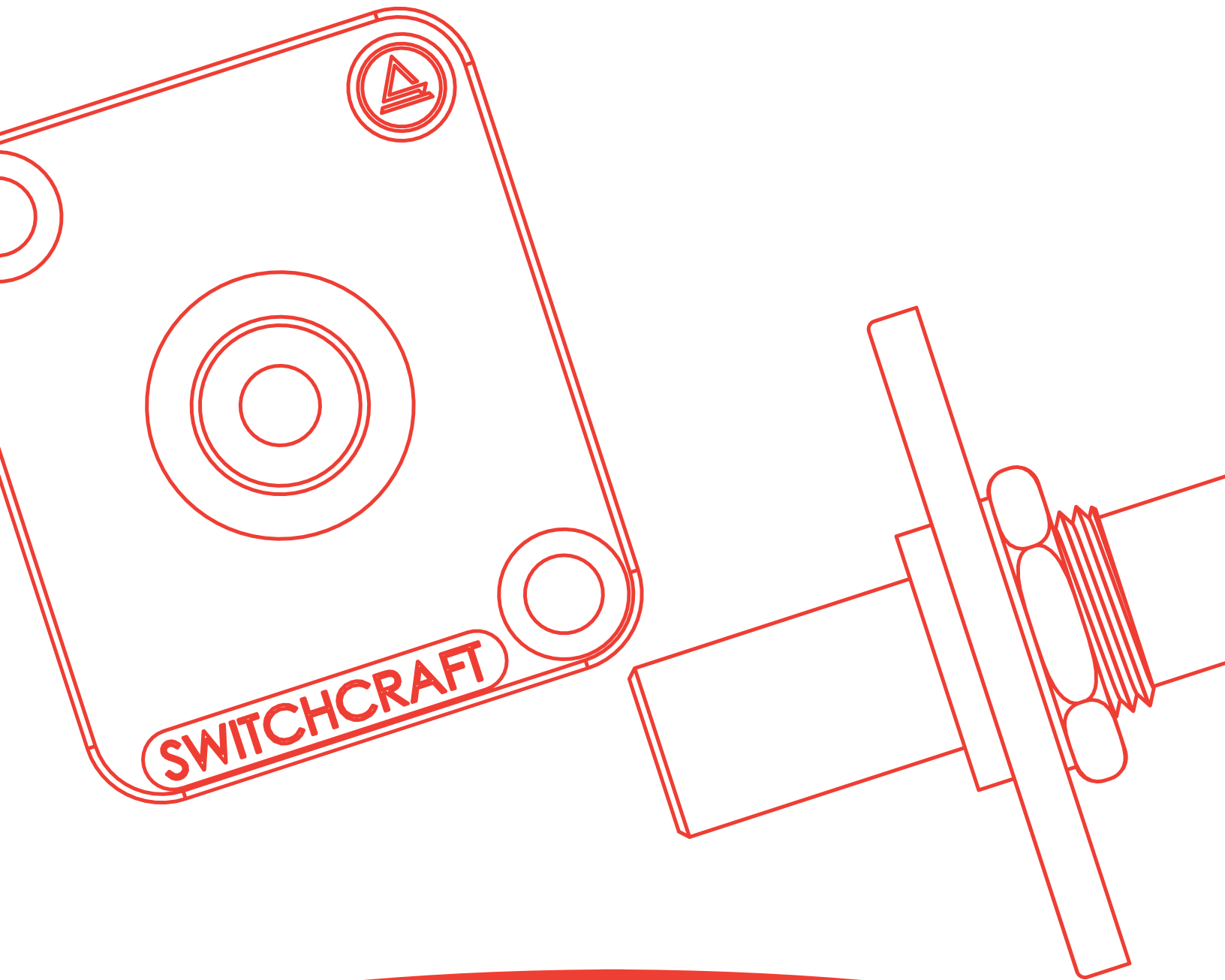


SWITCHCRAFT®

A H E I C O C O M P A N Y



EH SERIES: 3.5MM STEREO FEED-THRU ADAPTER

NPB | 617

EH SERIES: 3.5MM STEREO FEED-THRU ADAPTER

NPB | 617



FEATURES & BENEFITS

3.5mm Feed-Thru Connector available in nickel-plated or black finish EH panel housing

Compatible with Switchcraft QGPK Series Rack Panels and WP Series Wall Plates

All connectors fit into a standard XLR panel cutout

Available individually bagged or with mounting screws (Add PKG after part number if mounting screws are needed)

APPLICATIONS

General Industrial Electronic Applications

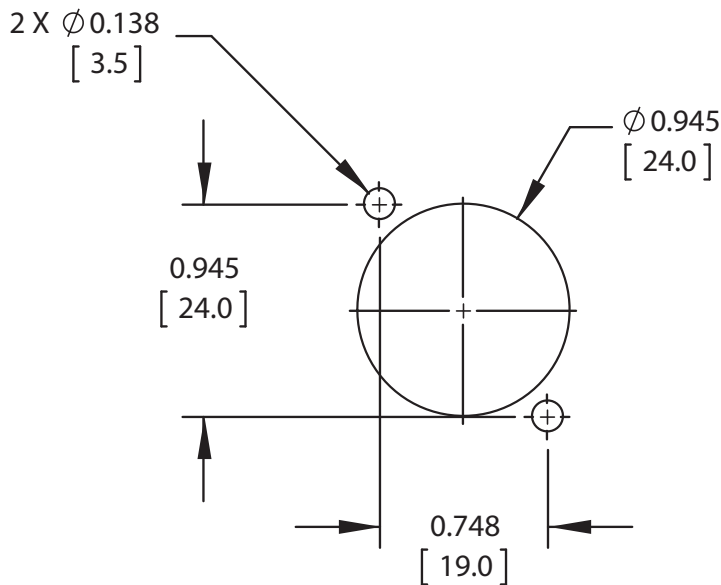
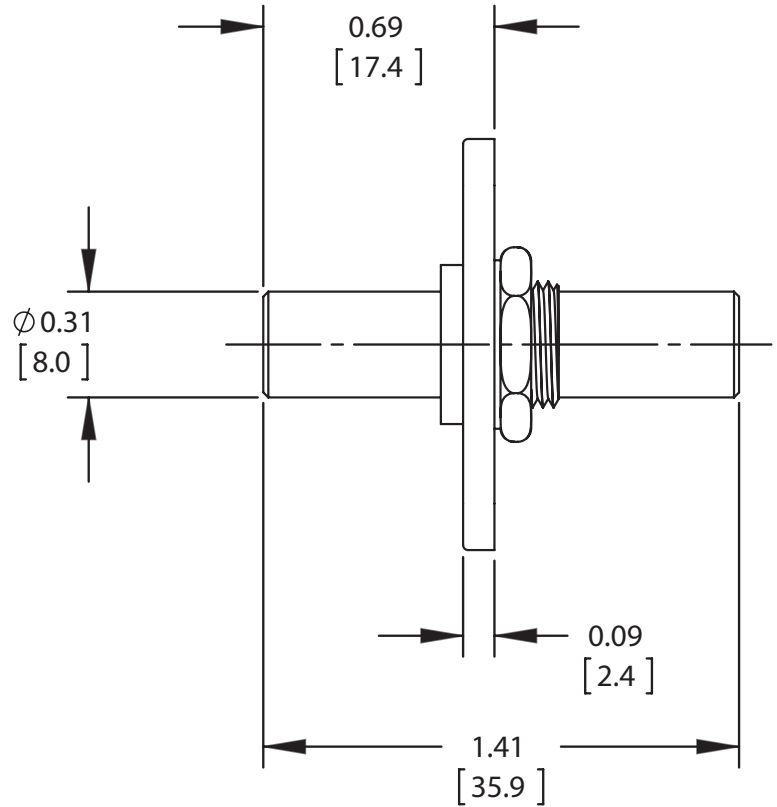
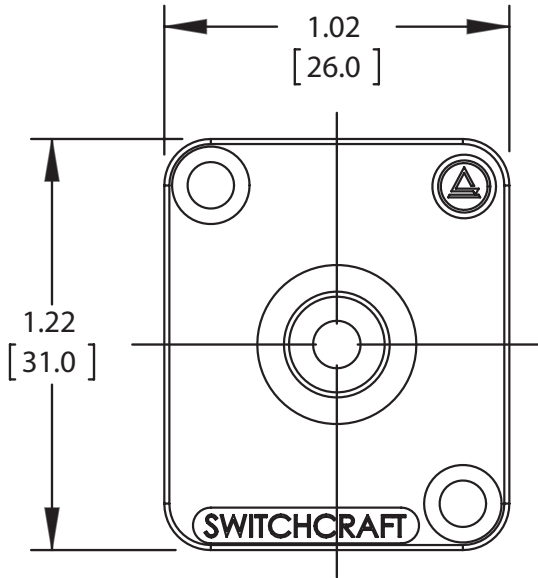
Custom I/O Panels and Wall Plates for Audio/Video

Pro Audio/Broadcast Equipment

Post Production and Mobile Production Installations

EH SERIES: 3.5MM STEREO FEED-THRU ADAPTER

NPB | 617



RECOMMENDED PANEL LAYOUT

PART NUMBER	FLANGE FINISH
EH35MM2	NICKEL PLATED
EH35MM2B	BLACK CHROME PLATED

UNITS ARE LISTED IN INCHES [mm]. ALL DIMENSIONS ARE REFERENCE ONLY.

EH SERIES: 3.5MM STEREO FEED-THRU ADAPTER

NPB | 617

SPECIFICATIONS

FEED THRU ADAPTER:

Body:	Brass, Nickel plated
Nut:	Steel, Nickel plated
Washer:	Steel, Nickel plated

MECHANICAL:

Vibration:	Per Mil-Std 202G, Method 201A
Insertion Force:	10.0 Lbs max
Withdrawal force:	1.50 Lbs min.
Life Cycle:	5,000 min.

ENVIRONMENT:

Thermal Shock:	Per Mil-Std 202G, Method 107G
Salt Spray test:	Per Mil- Std 202G, Method 101E
Humidity state:	Per Mil-Std 202G, Method 103B

X-ON Electronics

Largest Supplier of Electrical and Electronic Components

Click to view similar products for [Phone Connectors](#) category:

Click to view products by [Switchcraft](#) manufacturer:

Other Similar products are found below :

[M444B](#) [6J1041A](#) [R4F](#) [E12BPKG](#) [ECP4PKG](#) [MT333X](#) [171-0350-EX](#) [171-101A-EX](#) [171-3325-EX](#) [176S](#) [NC3MG-V](#) [NYS228G](#) [P10834](#)
[P2380](#) [P2381X](#) [P2411X](#) [P2412](#) [P2724](#) [JM2PB-AU BULK](#) [9144](#) [S2674](#) [280L](#) [163-158N-2-E](#) [171-3308-EX](#) [171-3500-E](#) [2501FT](#) [CMT335](#)
[M10662](#) [330Q](#) [RJ5VI-S](#) [40116](#) [TM1R-AU](#) [TM2PBMJ-AU](#) [TM2PJ-AU](#) [TM2PJ-AU BULK](#) [4803.1351](#) [49201](#) [49205](#) [TS3PBJ-AU](#)
[TS3PBMJ-AU](#) [TT32BX](#) [54B](#) [C55BX](#) [40112](#) [40205](#) [415](#) [XMT332B](#) [52170017-331](#) [570](#) [NM3](#)