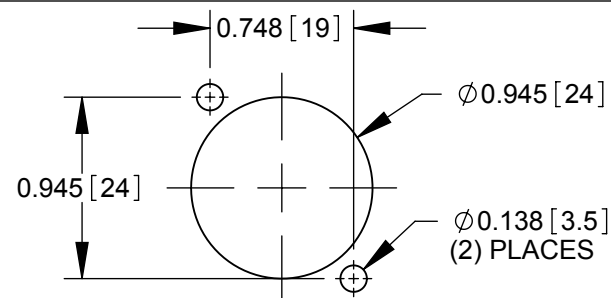
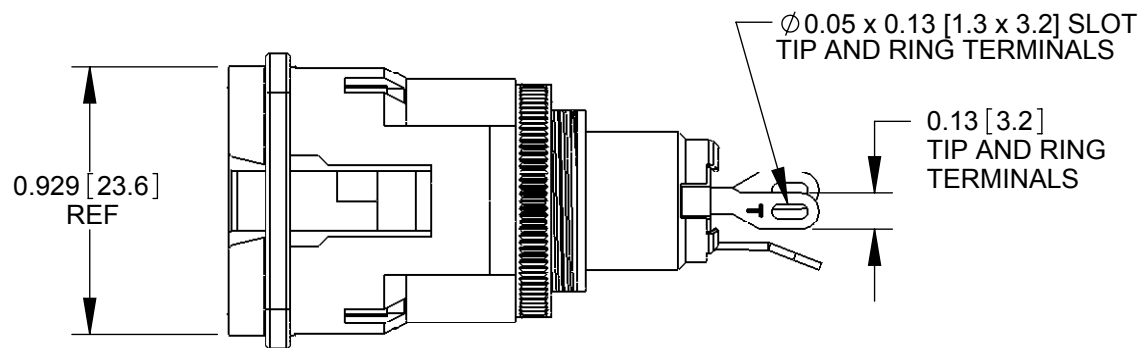
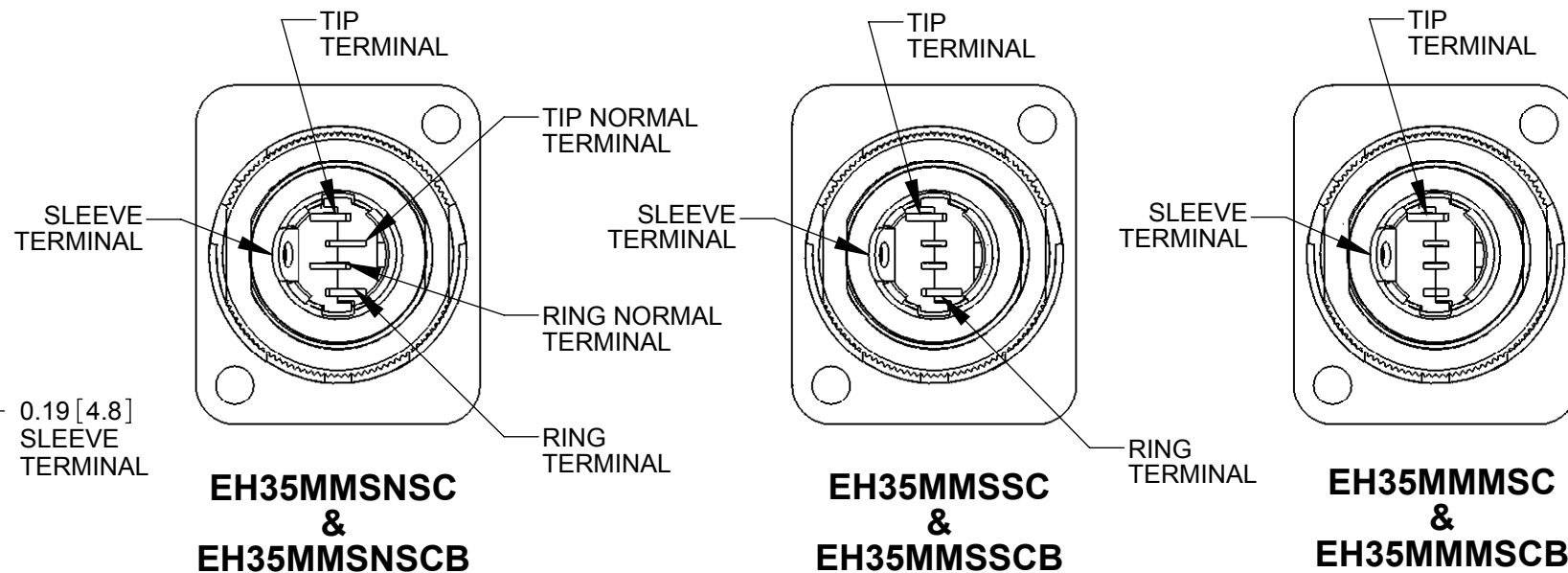
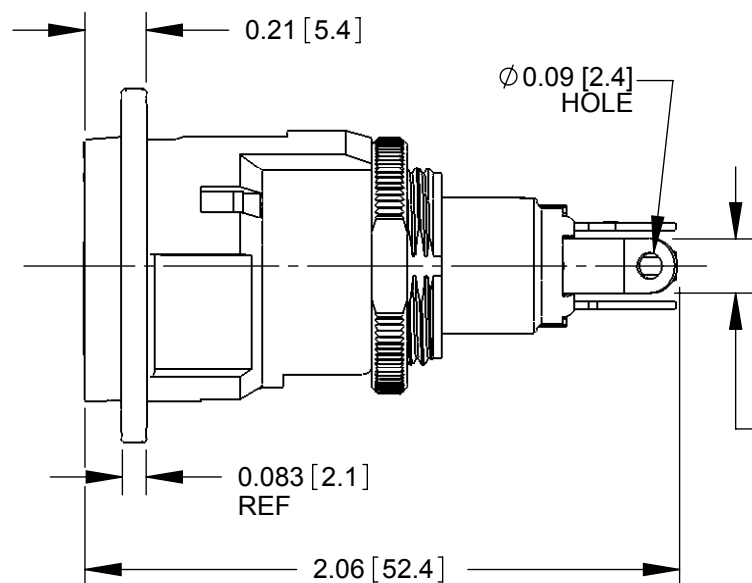
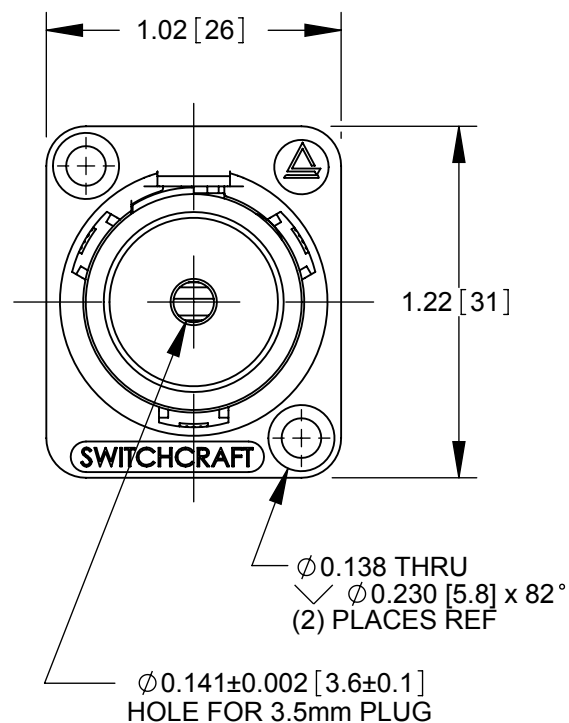
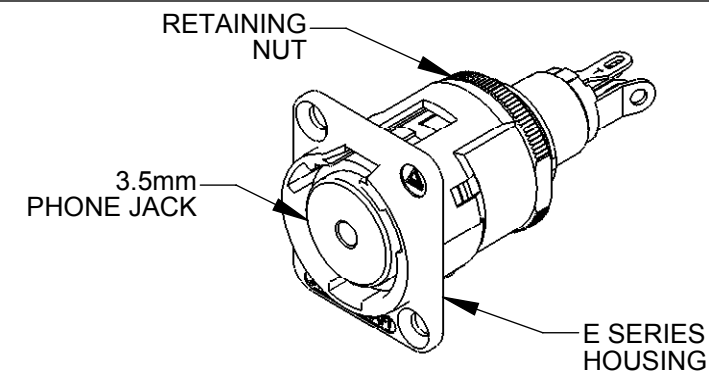


**EH35MMSNSC
SHOWN**



**RECOMMENDED
PANEL CUT-OUT**



NOTES:

- MATERIALS:**
HOUSING - ZINC ALLOY, SEE TABLE FOR FINISH
RETAINING NUT - BRASS, NICKEL PLATED
3.5mm PHONE JACK:
JACK HOUSING - BRASS, NICKEL PLATED
SPRINGS - NICKEL SILVER
INSULATORS - THERMOPLASTIC
INSERT OVERMOLD - THERMOPLASTIC
- SHIPPED ASSEMBLED WITHOUT PANEL MOUNTING HARDWARE. ADD "PKG" SUFFIX TO INCLUDE MOUNTING SCREWS AND INDIVIDUAL PACKAGING.
- THESE PRODUCTS ARE RoHS COMPLIANT.

PART NUMBER	DESCRIPTION	E SERIES HOUSING FINISH
EH35MMMSC	EH SERIES 3.5mm JACK, 2-CONDUCTOR MONO	NICKEL
EH35MMMSCB	EH SERIES 3.5mm JACK, 2-CONDUCTOR MONO	BLACK CHROME
EH35MMSSC	EH SERIES 3.5mm JACK, 3-CONDUCTOR STEREO	NICKEL
EH35MMSSCB	EH SERIES 3.5mm JACK, 3-CONDUCTOR STEREO	BLACK CHROME
EH35MMSNSC	EH SERIES 3.5mm JACK, 5-CONDUCTOR STEREO NORMALED	NICKEL
EH35MMSNSCB	EH SERIES 3.5mm JACK, 5-CONDUCTOR STEREO NORMALED	BLACK CHROME

CUSTOMER DRAWING

					THIS DRAWING DESCRIBES A DESIGN CONSIDERED PROPRIETARY IN NATURE, DEVELOPED AND MANUFACTURED BY SWITCHCRAFT INC. AND IS RELEASED ON A CONFIDENTIAL BASIS FOR IDENTIFICATION PURPOSES ONLY.				
					SIZE	WIDTH	MULT	LBS/M	TEMPER
					UNLESS OTHERWISE SPECIFIED			MATERIAL SPEC No.	
					1. ALL DIMENSIONS IN INCHES			SCALE 1.5:1	
					- TWO PLACE DECIMALS ±0.02			Switchcraft®	
					- THREE PLACE DECIMALS ±0.005			SHEET 1 OF 1	
A	25459	10/20/06	RS	TJK	DATE DRAWN	BY	CHKD	APVD	PART No.
REV	ECO NUMBER	DATE	BY	APVD	10/17/05	PNK	RS	TJK	EH35MM SERIES
REVISIONS					DO NOT SCALE DRAWING				
					NAME			REV	
					EH SERIES 3.5mm PHONE JACK			A	

X-ON Electronics

Largest Supplier of Electrical and Electronic Components

Click to view similar products for [Phone Connectors](#) category:

Click to view products by [Switchcraft](#) manufacturer:

Other Similar products are found below :

[M444B](#) [6J1041A](#) [R4F](#) [E12BPKG](#) [ECP4PKG](#) [163-157J-E](#) [MT333X](#) [171-0350-EX](#) [171-101A-EX](#) [171-3325-EX](#) [176S](#) [NC3MG-V](#)
[NYS228G](#) [P10834](#) [P2380](#) [P2381X](#) [P2411X](#) [P2412](#) [P2724](#) [JM2PB-AU BULK](#) [9144](#) [S2674](#) [280L](#) [163-158N-2-E](#) [171-3308-EX](#) [171-3500-E](#)
[2501FT](#) [CMT335](#) [M10662](#) [330Q](#) [RJ5VI-S](#) [40116](#) [TM1R-AU](#) [TM2PBMJ-AU](#) [TM2PJ-AU](#) [TM2PJ-AU BULK](#) [4803.1351](#) [49201](#) [49205](#)
[TS3PBJ-AU](#) [TS3PBMJ-AU](#) [TT32BX](#) [54B](#) [C55BX](#) [40112](#) [40205](#) [415](#) [XMT332B](#) [52170017-331](#) [570](#)