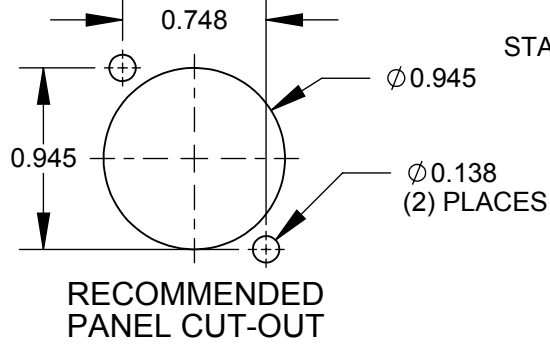
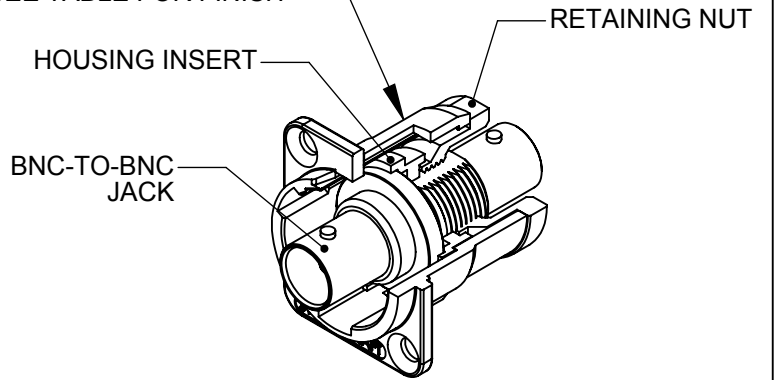


M3 x 0.5
METRIC THREAD
(2) PLACES

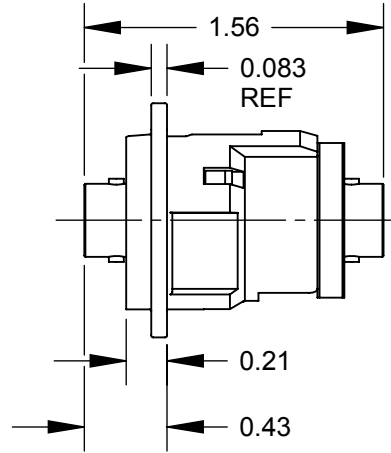
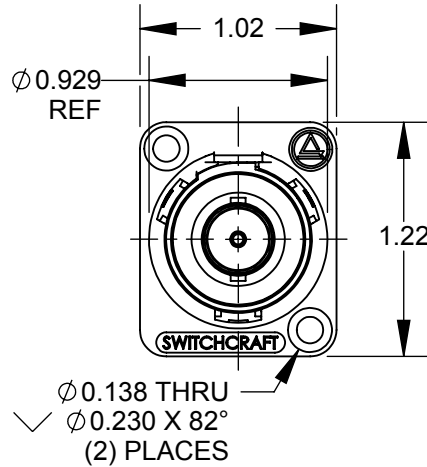
EHBNC2M3 & EHBNC2BM3



STANDARD E SERIES HOUSING
SEE TABLE FOR FINISH



EHBNC2 SHOWN



NOTES:

- MATERIALS:
HOUSING - ZINC ALLOY
HOUSING INSERT - THERMOPLASTIC, BLACK
RETAINING NUT - THERMOPLASTIC, BLACK
BNC JACK - COPPER ALLOY, NICKEL PLATED

- THIS PRODUCT IS RoHS COMPLIANT.

PART NUMBER	HOUSING FINISH	MOUNTING HOLES
EHBNC2	NICKEL PLATED	COUNTERSINK FOR #4 FLAT HEAD SCREWS
EHBNC2B	BLACK CHROME	COUNTERSINK FOR #4 FLAT HEAD SCREWS
EHBNC2M3	NICKEL PLATED	M3 x 0.5 THREAD
EHBNC2BM3	BLACK CHROME	M3 x 0.5 THREAD

CUSTOMER DRAWING

					THIS DRAWING DESCRIBES A DESIGN CONSIDERED PROPRIETARY IN NATURE, DEVELOPED AND MANUFACTURED BY SWITCHCRAFT INC. AND IS RELEASED ON A CONFIDENTIAL BASIS FOR IDENTIFICATION PURPOSES ONLY.				
					SIZE	WIDTH	MULT	LBS/M	TEMPER
					FINISH			MATERIAL	
					SPEC No.			SPEC No.	
					FIRST USED ON		SCALE 1:1		
D	27482	04/20/15	PC	TJK	DATE DRAWN	BY	CHKD	APVD	Switchcraft®
C	26415	7/17/09	RS	TJK	5/5/03	MA	MA	MA	
REV	ECO NUMBER	DATE	BY	APVD	NAME E SERIES CONNECTOR, BNC FEEDTHROUGH, RoHS			PART No. EHBNC2 SERIES	
REVISIONS					DO NOT SCALE DRAWING				

X-ON Electronics

Largest Supplier of Electrical and Electronic Components

Click to view similar products for [RF Connectors / Coaxial Connectors](#) category:

Click to view products by [Switchcraft](#) manufacturer:

Other Similar products are found below :

[R125315120](#) [8915-1511-000](#) [89674-0827](#) [5916-1103-603](#) [0106-001-000](#) [6-0001-3](#) [6001-7071-019](#) [6002-7051-003](#) [6002-7551-202](#) [6059674-1](#) [619550-1](#) [630059-000](#) [M39012/25-0021](#) [M39012/79-3008](#) [M39030/3-01N](#) [M39030/3-03N](#) [M3933/25-29N](#) [M3933/25-36N](#) [6500-7071-046](#) [6501-1071-002](#) [M83723/72W24576](#) [M83723/72W2457N](#) [6769](#) [CX050L2AQ](#) [7002-1541-010](#) [7002-1572-002](#) [7003-1572-002](#) [7004-1512-000](#) [7009-1511-004](#) [7010-1511-000](#) [7029-1511-060](#) [7101-1541-010](#) [7101-1571-002](#) [7105-1521-002](#) [7145-1521-002](#) [7209-1511-011](#) [7210-1511-012](#) [7210-1511-015](#) [7210-1511-019](#) [7210-1511-040](#) [7225-1512-050](#) [7242-1511-000](#) [73137-5015](#) [73251-0111](#) [73251-0672](#) [73276-1501](#) [73366-0013](#) [73404-2300](#) [73413-6080](#) [734151610](#)