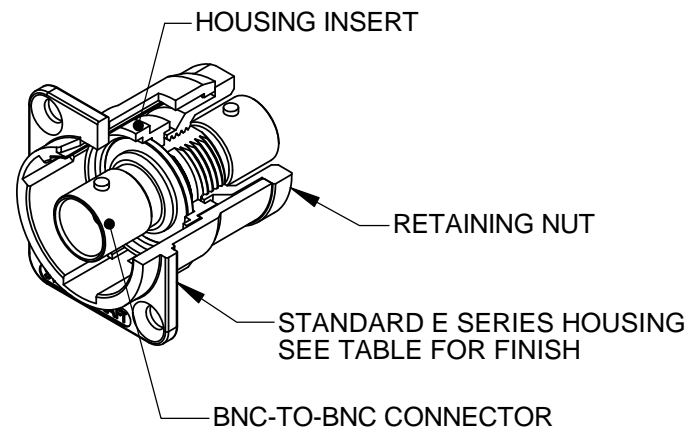
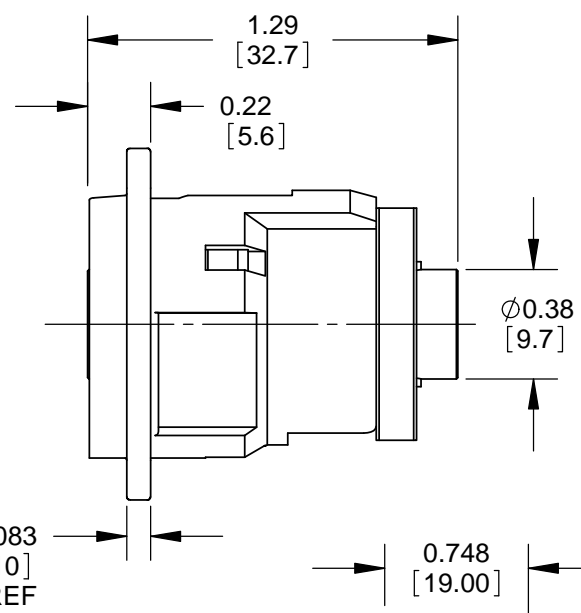
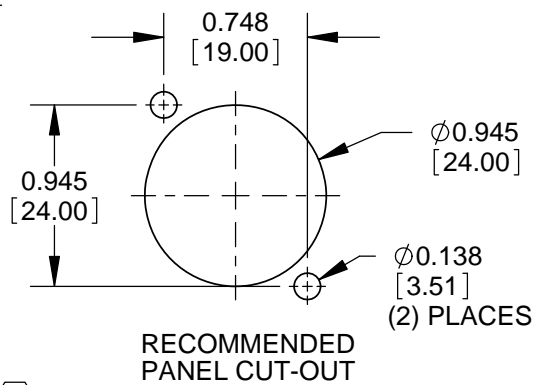


SEE NOTE 2



✓ $\varnothing 0.138$ [3.51] THRU
 $\varnothing 0.230$ [5.84] x 82°
 (2) PLACES REF



RECOMMENDED PANEL CUT-OUT

NOTES:

- MATERIALS:
 HOUSING - ZINC ALLOY
 HOUSING INSERT - THERMOPLASTIC, BLACK
 RETAINING NUT - THERMOPLASTIC, BLACK
 BNC TO BNC CONNECTOR - BRASS, NICKEL PLATED

Ⓢ 2. ORIENTATION OF BAYONET POSTS $\pm 20^\circ$ FROM VERTICAL. Ⓣ

3. THESE PRODUCTS ARE RoHS COMPLIANT.

PART NUMBER	HOUSING FINISH
EBBNC2R	NICKEL PLATED
EBBNC2RB	BLACK CHROME

CUSTOMER DRAWING

REV	ECO NUMBER	DATE	BY	APVD
D	28183	6-18-19	PC	TJK
C	27546	7-24-15	TO	TJK
B	27482	04/20/15	PC	TJK
A	25317	3/22/06	RS	TJK

UNLESS OTHERWISE SPECIFIED

1. ALL DIMENSIONS IN INCHES [mm]
 - TWO PLACE DECIMALS ± 0.02 [0.5]
 - THREE PLACE DECIMALS ± 0.005 [0.13]

DO NOT SCALE DRAWING

THIS DRAWING DESCRIBES A DESIGN CONSIDERED PROPRIETARY IN NATURE, DEVELOPED AND MANUFACTURED BY SWITCHCRAFT INC. AND IS RELEASED ON A CONFIDENTIAL BASIS FOR IDENTIFICATION PURPOSES ONLY.							
SIZE	WIDTH	MULT	LBS/M	TEMPER			
FINISH				MATERIAL			
SPEC No.				SPEC No.			
FIRST USED ON			SCALE 1.5:1				
DATE DRAWN	BY	CHKD	APVD				
3/16/06	MA	MA	MA				
			3/16/06	3/16/06			
NAME				PART No.		REV	
E SERIES CONNECTOR RECESSED BNC FEEDTHROUGH, RoHS				EBBNC2R SERIES		D	

Switchcraft®

SHEET 1 OF 1



X-ON Electronics

Largest Supplier of Electrical and Electronic Components

Click to view similar products for [Circular DIN Connectors](#) category:

Click to view products by [Switchcraft](#) manufacturer:

Other Similar products are found below :

[D38999/20MJ37PB](#) [75-190222-09G](#) [FRCIR030FP-36-10P-F80](#) [FRCIR08F-18-19S-F80](#) [FRCIR08R-36-7S-F80](#) [8R3006A18M0033](#) [PT05A-14-18SW\(023\)](#) [PT05A-14-5SX](#) [GTC01A-22-28P](#) [PT05A1832SW](#) [PT05A2041SX](#) [PT05SE1832SWLC](#) [PT05SE1832SYLC](#)
[GTC030-20-27PW-LC](#) [ACC06AF-20-23P\(003\)](#) [1210500311](#) [1210503216](#) [ACS00F-16-10S\(003\)](#) [ACS06AF-16-10P\(003\)](#) [D38999/42FE35AN](#)
[D38999/46WE6SN](#) [MS3100F22-23S](#) [MS3100R36-5S](#) [MS3101E28-21S](#) [MS3101E2821SX](#) [MS3102E184PW](#) [MS310314S-5P](#) [MS310314S-6P](#) [MS310314S-7P](#) [MS310322-8S](#) [MS3114F10-6P](#) [MS3116E8-4SW](#) [MS3122E10-6PW](#) [MS3456W28-21PZ-LC](#) [C18213N21](#) [CA3100E14S-9PB](#) [CA3100E14SA7P](#) [CA3100E16-10S](#) [CA3100E16S-8PBF80](#) [CA3100E18-1SBF80A176](#) [CA3100E20-7SB-F80-A176](#) [CA3100E22-14SB](#) [CA3100E22-14SBF80](#) [CA3100E22-19PBF80](#) [CA3100E22-22SB](#) [CA3100E22-22SBF80](#) [CA3100E22-2SBF80](#) [CA3100E22-7PB](#)
[CA3100E28-21PWB02](#) [CA3100E32-15PB](#)