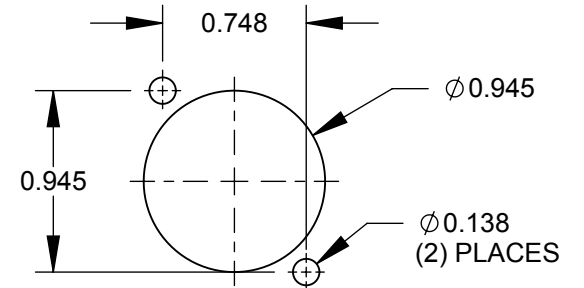
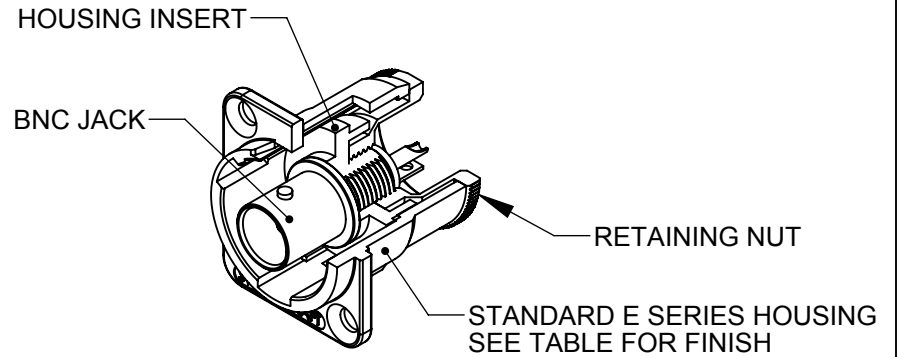
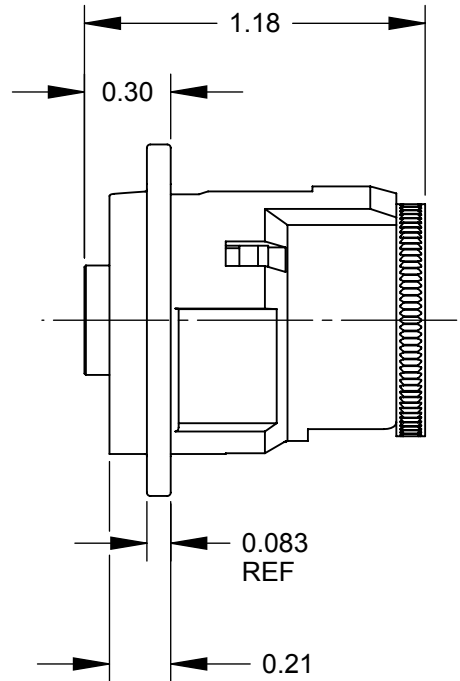


∅0.138 THRU  
 ✓ ∅0.230 X 82°  
 (2) PLACES REF

SEE NOTE 2



RECOMMENDED  
 PANEL CUT-OUT

NOTES:

- MATERIALS:  
 HOUSING - ZINC ALLOY  
 HOUSING INSERT - THERMOPLASTIC, BLACK  
 RETAINING NUT - COPPER ALLOY, NICKEL PLATED  
 BNC JACK - COPPER ALLOY, NICKEL PLATED

(F) 2. ORIENTATION OF BAYONET POSTS ±10° FROM VERTICAL.

3. THESE PRODUCTS ARE RoHS COMPLIANT.

PART NUMBER	HOUSING FINISH
EHBNCS	NICKEL
EHBNCSB	BLACK CHROME

**CUSTOMER DRAWING**

REV	ECO NUMBER	DATE	BY	APVD	DESCRIPTION	NAME	PART No.	REV		
F	27546	7-24-15	TO	TJK	UNLESS OTHERWISE SPECIFIED  1. ALL DIMENSIONS IN INCHES - TWO PLACE DECIMALS ±0.02 - THREE PLACE DECIMALS ±0.005	THIS DRAWING DESCRIBES A DESIGN CONSIDERED PROPRIETARY IN NATURE, DEVELOPED AND MANUFACTURED BY SWITCHCRAFT INC. AND IS RELEASED ON A CONFIDENTIAL BASIS FOR IDENTIFICATION PURPOSES ONLY.				
E	27482	04/20/15	PC	TJK		SIZE	WIDTH	MULT	LBS/M	TEMPER
D	26634	10/08/10	JEB	TJK		FINISH	MATERIAL			
C	26415	7/17/09	RS	TJK		SPEC No.	SPEC No.			
B	24827	10/12/04	JL	MA		FIRST USED ON	SCALE 1.5:1			
A	24626	1/27/04	JL	MA		DATE DRAWN	BY	CHKD	APVD	
REVISIONS					9/25/02	MA	MA	MA	SHEET 1 OF 1	
DO NOT SCALE DRAWING					E SERIES CONNECTOR, BNC, SOLDER TERMINATION, RoHS				EHBNCS SERIES	F



## X-ON Electronics

Largest Supplier of Electrical and Electronic Components

*Click to view similar products for [RF Connectors / Coaxial Connectors](#) category:*

*Click to view products by [Switchcraft](#) manufacturer:*

Other Similar products are found below :

[8915-1511-000](#) [89674-0827](#) [6001-7071-019](#) [6002-7051-003](#) [6002-7551-202](#) [6059674-1](#) [619550-1](#) [630059-000](#) [M39030/3-01N](#) [6500-7071-046](#) [6769](#) [CX050L2AQ](#) [7002-1542-011](#) [7004-1512-000](#) [7009-1511-004](#) [7010-1511-000](#) [7029-1511-060](#) [7101-1541-010](#) [7101-1571-002](#) [7105-1521-002](#) [7145-1521-002](#) [7203-1571-003](#) [7209-1511-011](#) [7210-1511-015](#) [7210-1511-019](#) [73137-5015](#) [73216-2241](#) [73404-2300](#) [7405-1521-005](#) [7405-1521-802](#) [8527](#) [8547](#) [FS11V](#) [877931](#) [9049-9513-000](#) [9074-9513-000](#) [9101-9573-002](#) [910A205F](#) [9130-9573-002](#) [PL11SC-026](#) [PL375-33](#) [PL40-5](#) [PL74C-221](#) [PL75MC-217](#) [PL803-7](#) [1200690078](#) [1-201144-1](#) [R107003010W](#) [R110A172100](#) [R112186000](#)