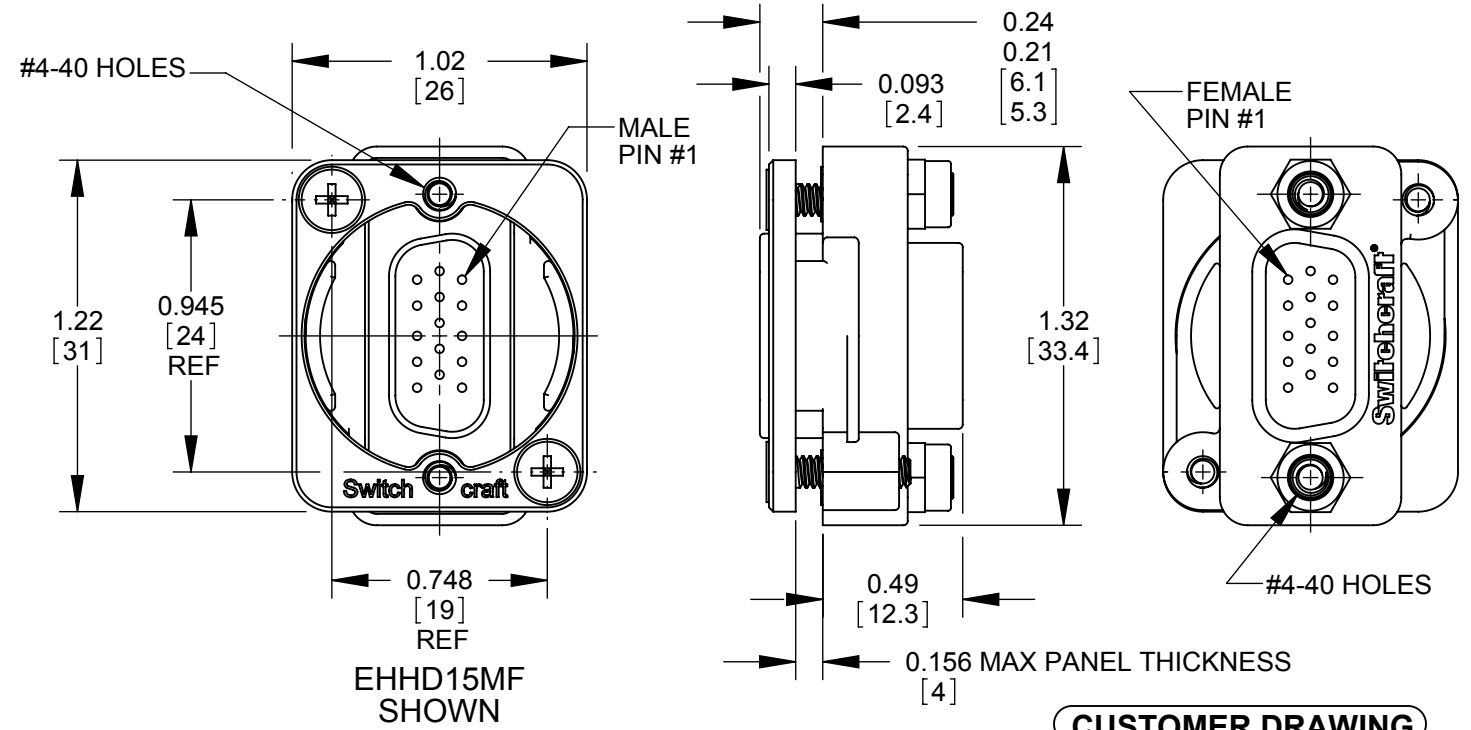
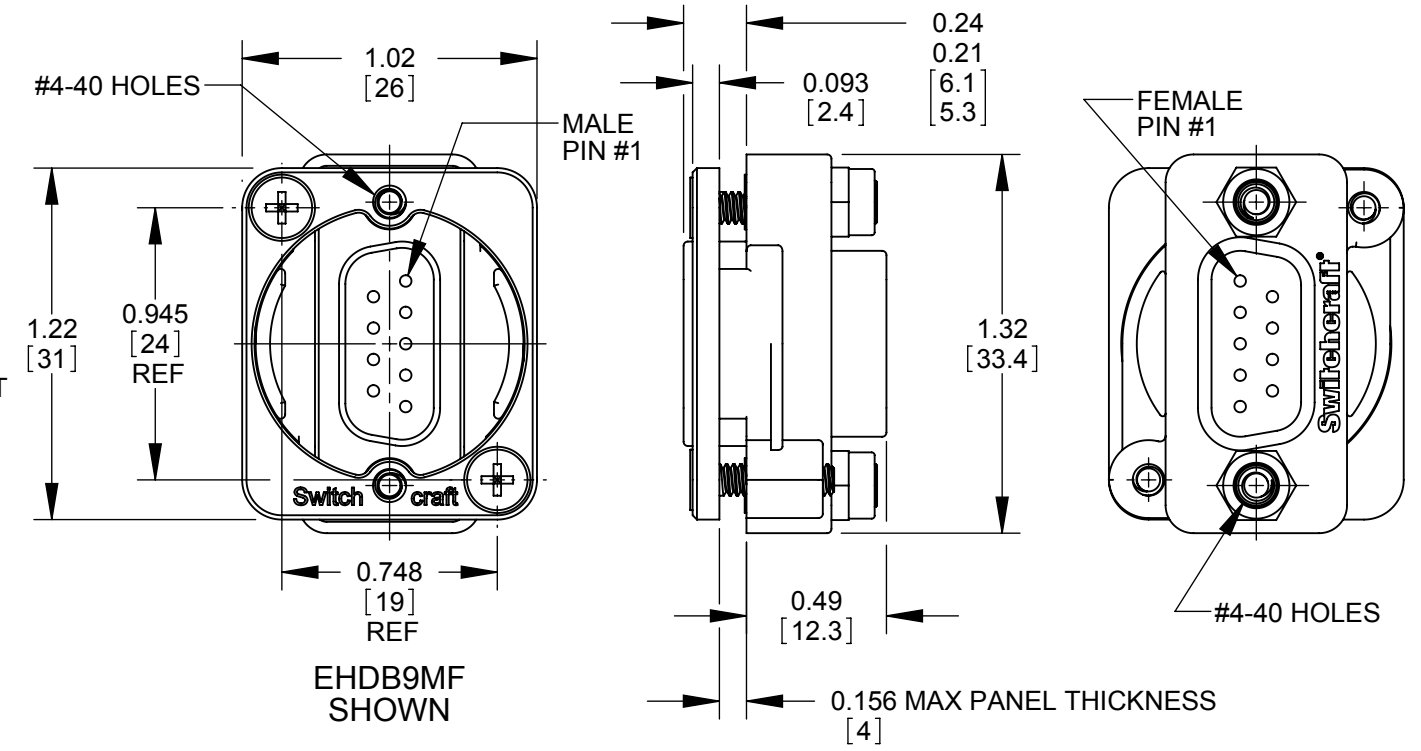


**EH** \* \* \*  
FINISH, FLANGE AND MOUNTING SCREW  
**BLANK** - NICKEL  
**B** - BLACK

GENDER  
**MM** - MALE TO MALE  
**MF** - MALE TO FEMALE  
**FF** - FEMALE TO FEMALE

TYPE OF ADAPTER  
**DB9** - 9 PIN D-SUB  
**HD15** - 15 PIN HIGH DENSITY D-SUB



**CUSTOMER DRAWING**

NOTES:

- MATERIALS:  
MOUNTING SCREWS - STEEL, NICKEL OR BLACK OXIDE FINISH.  
FRONT FLANGE - BRASS, NICKEL OR BLACK CHROME FINISH.  
D SUB ADAPTER:  
INSULATOR - PBT GLASS FIBER REINFORCED  
CONTACT - BRASS, GOLD PLATED OVER NICKEL  
SHELL - NICKEL SILVER, TIN PLATED  
HOUSING - PBT, 30% GLASS FIBER  
JACKPOST - BRASS, NICKEL PLATED
- PARTS SHIPPED UNASSEMBLED.
- D-SUB CONNECTOR MAY BE ORIENTATED OPPOSITE AS SHOWN AND MALE-FEMALE MAY BE ASSEMBLED WITH THE FEMALE IN FRONT.
- THESE PRODUCTS ARE RoHS COMPLIANT.

REV	ECO NUMBER	DATE	BY	APVD
D	26941	4-12-12	TO	TJK
C	26494	1/22/10	RS	TJK
B	26415	7/17/09	RS	TJK
A	ECO 25822	7/23/08	BS	TJK
REVISIONS				

UNLESS OTHERWISE SPECIFIED

1. ALL DIMENSIONS IN INCHES  
- TWO PLACE DECIMALS ±0.02  
- THREE PLACE DECIMALS ±0.005

DO NOT SCALE DRAWING

THIS DRAWING DESCRIBES A DESIGN CONSIDERED PROPRIETARY IN NATURE, DEVELOPED AND MANUFACTURED BY SWITCHCRAFT INC. AND IS RELEASED ON A CONFIDENTIAL BASIS FOR IDENTIFICATION PURPOSES ONLY.									
SIZE		WIDTH		MULT		LBS/M		TEMPER	
FINISH SPEC No.						MATERIAL SPEC No.			
FIRST USED ON				SCALE 1.5:1		<b>Switchcraft</b> <sup>®</sup>			
DATE DRAWN	BY	CHKD	APVD						
9/28/06	JK	JK	JK	9/29/06		SHEET 1 OF 1			
NAME E SERIES D-SUB CONNECTOR, RoHS						PART No. EHDB9 & EHHD15 SERIES		REV D	

## X-ON Electronics

Largest Supplier of Electrical and Electronic Components

*Click to view similar products for D-Sub Adapters & Gender Changers category:*

*Click to view products by Switchcraft manufacturer:*

Other Similar products are found below :

[243A10120X](#) [243A11070X](#) [243A13290X](#) [243A13460X](#) [300X10729X](#) [300X10759X](#) [GCHDLP26F26F](#) [30-9532P](#) [40-9586FP](#) [500-135](#) [40-9526HDMP](#) [56F715-003](#) [243A11800X](#) [243A10560X](#) [40-9526HDSP](#) [243A11060X](#) [56-745-005](#) [243A10580X](#) [56-725-001](#) [SC485](#) [173114-0088](#) [173114-0099](#) [76000670](#) [76000700](#) [NADB9MF](#) [2902323](#) [2902326](#) [40-9538F](#) [163A50049X](#) [NADB15FF-B](#) [NADB9FF-B](#) [243A10030X](#) [76000671](#) [163A50029X](#) [16-501373](#) [FCC17-E09AD-210](#) [FCE17-A15AD-250](#) [FCE17-B25AD-210](#) [FCE17-B25AD-250](#) [FCE17B25AD290](#) [FCE17-E09AD-210](#) [FCE5709500430](#) [2310387](#) [GCHDLP44M44M](#) [GCLP25M25F](#) [FCC17A15AD2E0](#) [FCC17C37AD280](#) [FCC17-E09AD-280](#) [FCC17E09AD293](#) [FCC17E09AD4D0](#)