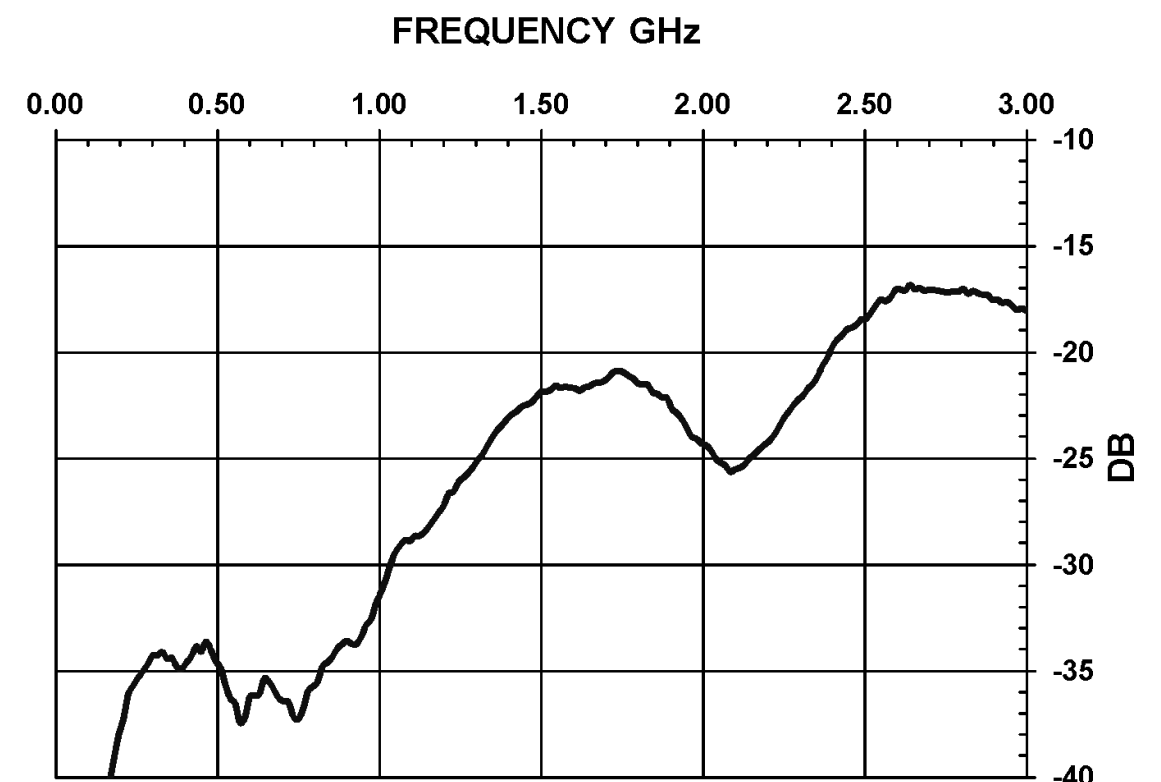
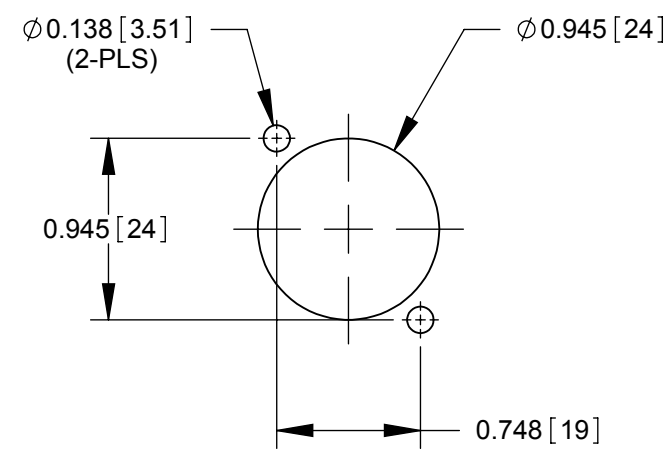


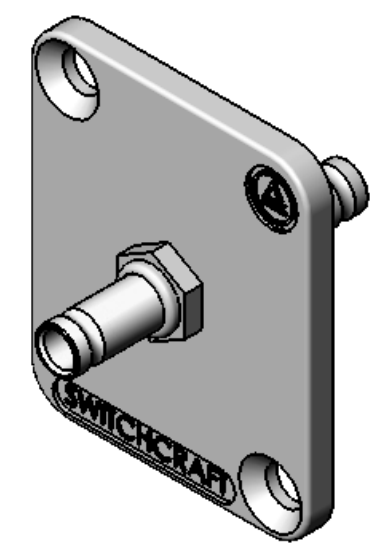
∅0.138 [3.51]
 ✓ ∅0.23x82°(2-PLS)



TYPICAL RETURN LOSS



RECOMMENDED PANEL CUT-OUT



NOTES:

- ELECTRICAL SPECIFICATIONS:**
 IMPEDANCE: 75 Ω
 FREQUENCY RANGE: 0-3 GHz
 W/S VOLTAGE: 250 Vrms
 INSULATION RESISTANCE: 1 GΩ min.
 CONTACT RESISTANCE: 30 mΩ max. (Initial)
 INSERTION LOSS: -1.0 dB max.
 RETURN LOSS: per SMPTE 424 M
- MECHANICAL SPECIFICATIONS:**
 OPERATING TEMPERATURE: -40°C to +85°C
 LIFE: 500 cycles min.
- MATERIAL:**
 FLANGE: ZINC ALLOY
 SHELLS, MOUNTING NUT: COPPER ALLOY, NICKEL PLATED
 CONTACT: COPPER ALLOY, GOLD PLATED
 INSULATORS: THERMOPLASTIC
- FOR FLANGE MOUNTING SCREWS TO BE SHIPPED WITH ASSEMBLY, ADD THE SUFFIX "PKG" TO THE PART NUMBER.
- DIMENSIONS SHOWN FOR REFERENCE ONLY
- THIS PRODUCT IS RoHS COMPLIANT

PART NUMBER	FLANGE FINISH
EHDIN1023X2	NICKEL
EHDIN1023X2B	BLACK

CUSTOMER DRAWING

REV	ECO NUMBER	DATE	BY	APVD
A	26775	06/09/11	BL	TJK

UNLESS OTHERWISE SPECIFIED
 1. ALL DIMENSIONS IN INCHES
 - TWO PLACE DECIMALS ±0.02
 - THREE PLACE DECIMALS ±0.005

DO NOT SCALE DRAWING

THIS DRAWING DESCRIBES A DESIGN CONSIDERED PROPRIETARY IN NATURE, DEVELOPED AND MANUFACTURED BY SWITCHCRAFT INC. AND IS RELEASED ON A CONFIDENTIAL BASIS FOR IDENTIFICATION PURPOSES ONLY.					
SIZE	WIDTH	MULT	LBS/M	TEMPER	
FINISH SPEC No.			MATERIAL SPEC No.		
FIRST USED ON		SCALE 2:1			
DATE DRAWN	BY	CHKD	APVD		
2/17/11	PNK	PNK	SRC		
NAME		EH SERIES DIN 1.0/2.3 FEED-THRU, RoHS		PART No. EHDIN1023X2	
REVISIONS				REV	A

X-ON Electronics

Largest Supplier of Electrical and Electronic Components

Click to view similar products for [Computer Cables](#) category:

Click to view products by [Switchcraft](#) manufacturer:

Other Similar products are found below :

[68809-0004](#) [8F36-AAA105-1.00](#) [IB63](#) [CB-716EB-RS](#) [CB-716P8P9-RS](#) [CBK-11-290K-00](#) [ACL-10550](#) [ACL-10568-2](#) [ACL-10568-5](#)
[427522400-3](#) [32102-021500-200-RS](#) [426091300-3](#) [48000023](#) [10114976-P015002LF](#) [10111838-S444ALF](#) [88761-6101](#) [NT631C-CN321-EU](#)
[ACL-10568NF-1](#) [MIKROE-2092](#) [PCL-101100R-2E](#) [1700009405](#) [PS/2 Cable](#) [NT31C-CN323-EU](#) [PCL-10168H-1E](#) [68801-1905](#) [111068-](#)
[1015](#) [100436-1107](#) [68801-0630](#) [68801-3612](#) [68801-3618](#) [205058-1002](#) [PS2NK](#) [SATA cable](#) [96021-0000-00-0](#) [FAK-SMZSMZ 5M](#) [FAK-](#)
[SMZSMZ-3M](#) [ACC-500-200-R](#) [iW-C40-PCIe08-C1](#) [1700001531](#) [96048-0000-00-0](#) [96054-0000-00-0](#) [SATA III cable 30cm, down/straight](#)
[cab-Pico-ITX-LVDS](#) [PCL-101100SB-2E](#) [AXXSTCBLQAT](#) [NT31C-KBA05](#) [PCL-101100M-2E](#) [A2U4PSWCXCXK1](#) [2 port SATA to 5](#)
[pin,L=200mm](#) [P782-006-DH](#)