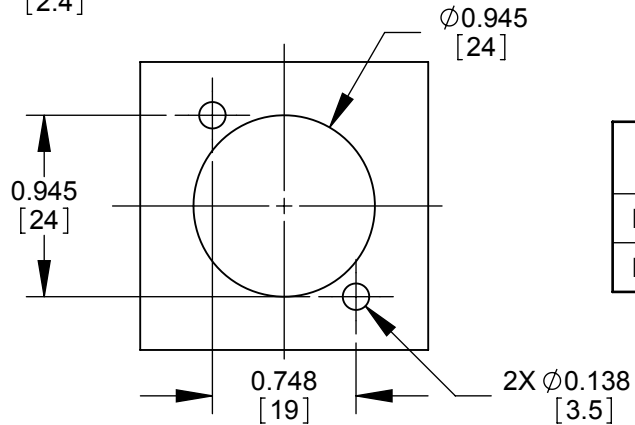
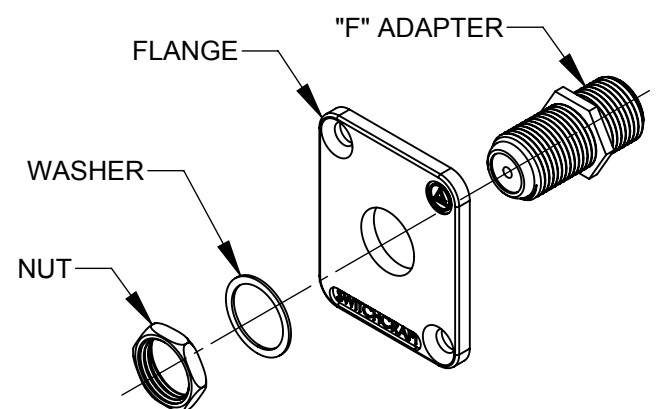
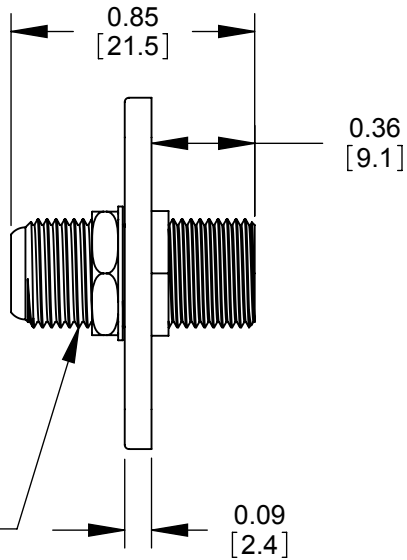
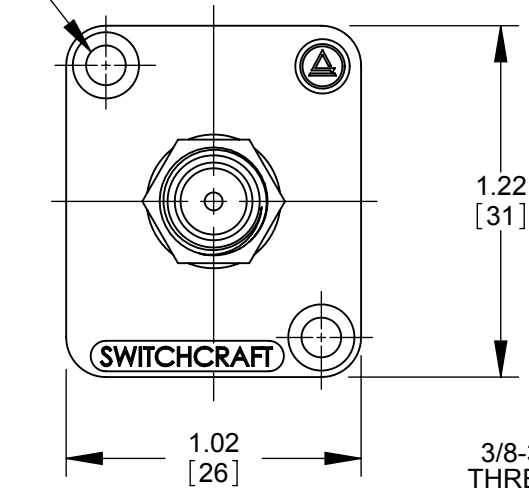


Ø0.14 HOLE  
 ✓ Ø0.23 X 82° (2 PLCS)



PART NUMBER	FLANGE FINISH
EHFF2	NICKEL PLATED
EHFF2B	BLACK CHROME

NOTES:

- MATERIAL:  
FLANGE - ZINC
- FOR MOUNTING SCREWS TO BE SHIPPED WITH ASSEMBLY, ADD THE SUFFIX "PKG" TO THE PART NUMBER.
- THESE PRODUCTS ARE RoHS COMPLIANT.

RECOMMENDED PANEL CUT-OUT  
 SCALE 1:1

**CUSTOMER DRAWING**

THIS DRAWING DESCRIBES A DESIGN CONSIDERED PROPRIETARY IN NATURE, DEVELOPED AND MANUFACTURED BY SWITCHCRAFT INC. AND IS RELEASED ON A CONFIDENTIAL BASIS FOR IDENTIFICATION PURPOSES ONLY.

REV	ECO NUMBER	DATE	BY	APVD
A	26327	2/4/09	JEB	TJK
REVISIONS				

UNLESS OTHERWISE SPECIFIED

- ALL DIMENSIONS IN INCHES
  - TWO PLACE DECIMALS ±0.02
  - THREE PLACE DECIMALS ±0.005

DO NOT SCALE DRAWING

SIZE	WIDTH	MULT	LBS/M	TEMPER
FINISH			MATERIAL	
SPEC No.			SPEC No.	
FIRST USED ON		SCALE 3:2		
DATE DRAWN	BY	CHKD	APVD	
06/30/08	BS	JEB	TJK	
		04/01/09	04/02/09	
NAME			PART No.	REV
EH SERIES FEMALE "F" TO "F" ADAPTER, RoHS			EHFF2_SERIES	A

SolidWorks CAD File



Switchcraft®

SHEET 1 OF 1

## X-ON Electronics

Largest Supplier of Electrical and Electronic Components

*Click to view similar products for [IEEE 1394 Connectors](#) category:*

*Click to view products by [Switchcraft](#) manufacturer:*

Other Similar products are found below :

[EHFF2](#) [PX0485/BK](#) [EHFF2B](#) [EHFWX2BX](#) [3E106-2230KV](#) [53460-0619](#) [3E106-0220KV](#) [1734290-2](#) [53462-0629](#) [NA1394-6-W](#) [5788516-1](#)  
[3E106-1230 KV](#) [3E306-3200-008](#) [FWF21NSCC](#) [FWFODE](#) [FWFTV22G](#) [FWFTVC2G](#) [FWFTVC2N](#) [JE14](#) [JE18](#) [PX0480/BK](#) [928](#) [929](#) [930](#)  
[NA1394-6-W-B](#) [EHFW800X2](#) [5787956-1](#) [PX0419](#) [PX0847](#) [693-006-699-003](#) [45740-0001](#) [53460-0639](#) [53462-0001](#) [53984-0681](#)  
[EHFW800X2B](#) [EHFW800X2PKG](#) [1734290-1](#)