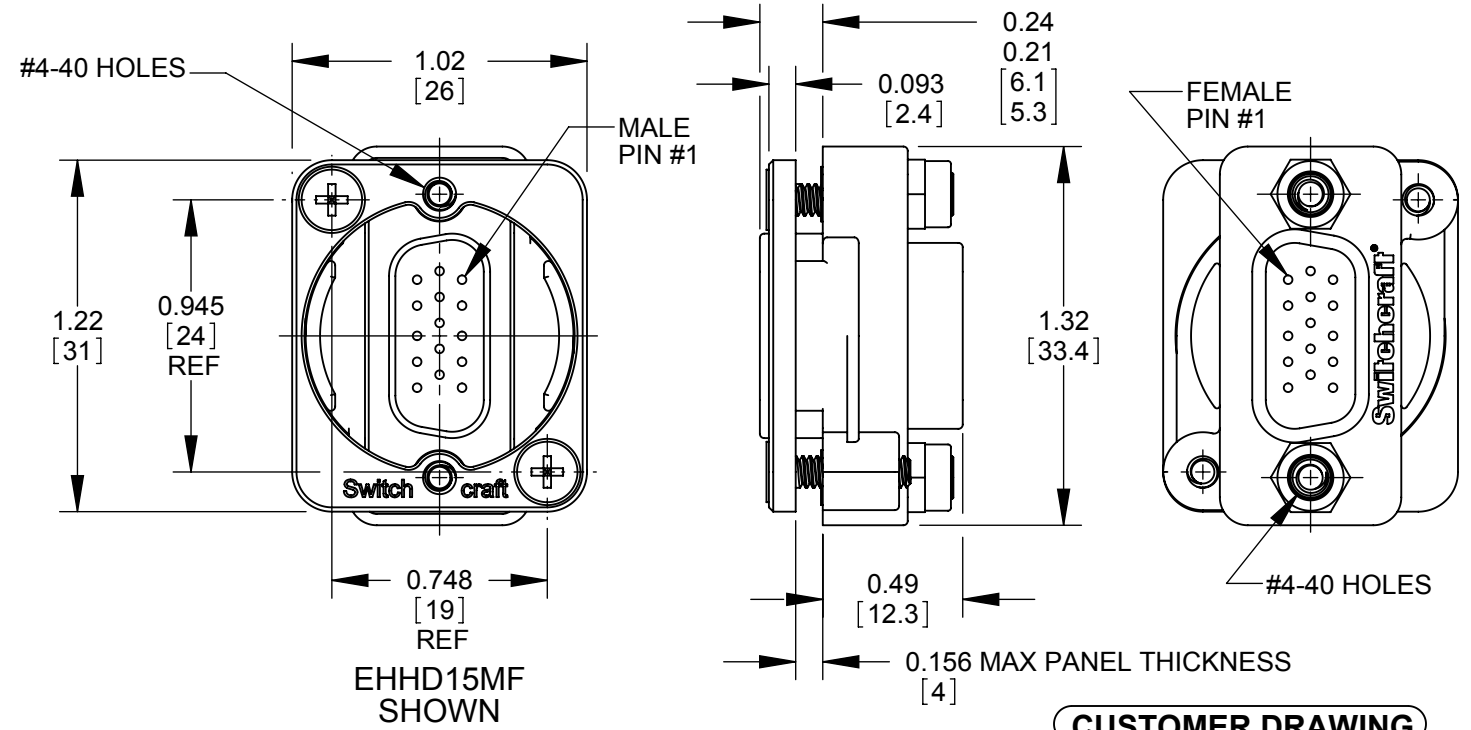
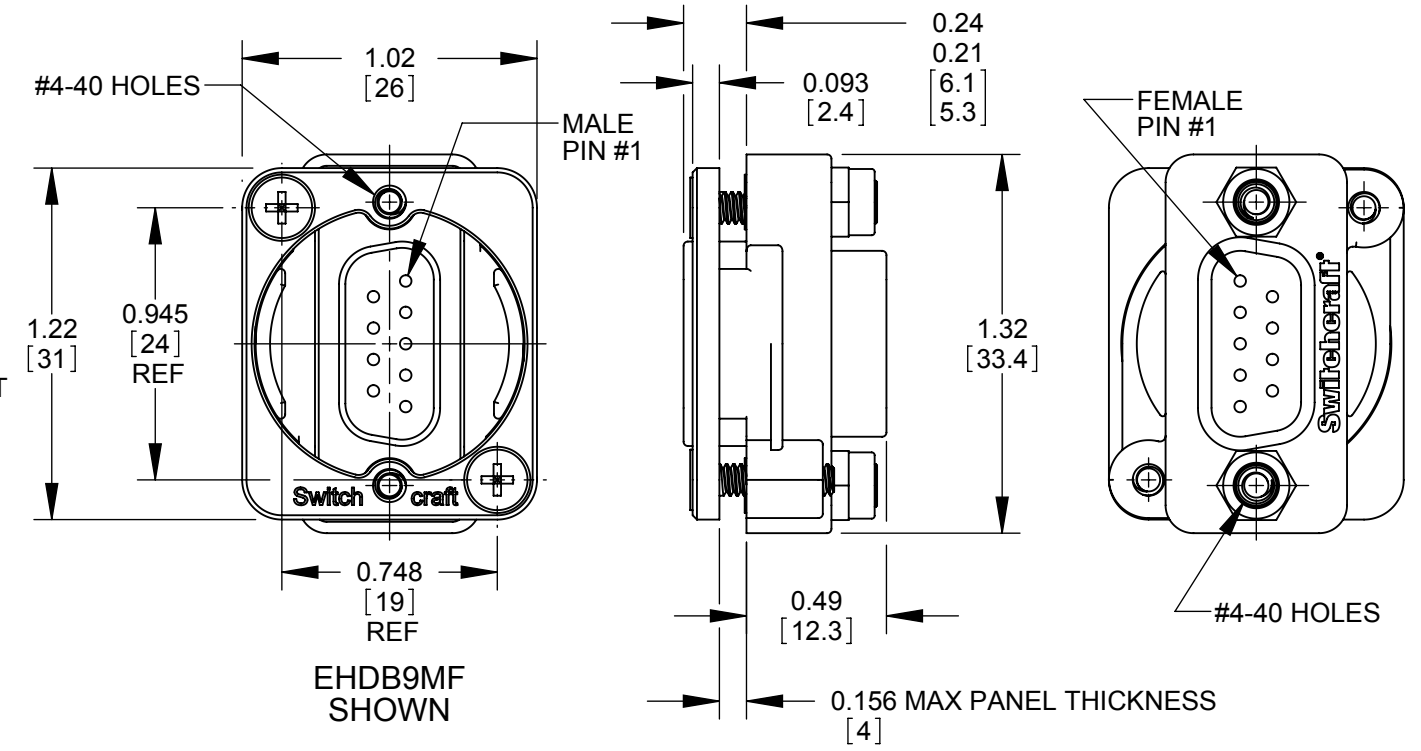


EH * * *

FINISH, FLANGE AND MOUNTING SCREW
BLANK - NICKEL
B - BLACK

GENDER
MM - MALE TO MALE
MF - MALE TO FEMALE
FF - FEMALE TO FEMALE

TYPE OF ADAPTER
DB9 - 9 PIN D-SUB
HD15 - 15 PIN HIGH DENSITY D-SUB



CUSTOMER DRAWING

NOTES:

- MATERIALS:**
 MOUNTING SCREWS - STEEL, NICKEL OR BLACK OXIDE FINISH.
 FRONT FLANGE - BRASS, NICKEL OR BLACK CHROME FINISH.
 D SUB ADAPTER:
 INSULATOR - PBT GLASS FIBER REINFORCED
 CONTACT - BRASS, GOLD PLATED OVER NICKEL
 SHELL - NICKEL SILVER, TIN PLATED
 HOUSING - PBT, 30% GLASS FIBER
 JACKPOST - BRASS, NICKEL PLATED
- PARTS SHIPPED UNASSEMBLED.**
- D-SUB CONNECTOR MAY BE ORIENTATED OPPOSITE AS SHOWN AND MALE-FEMALE MAY BE ASSEMBLED WITH THE FEMALE IN FRONT.**
- THESE PRODUCTS ARE RoHS COMPLIANT.**

REV	ECO NUMBER	DATE	BY	APVD
D	26941	4-12-12	TO	TJK
C	26494	1/22/10	RS	TJK
B	26415	7/17/09	RS	TJK
A	ECO 25822	7/23/08	BS	TJK
REVISIONS				

UNLESS OTHERWISE SPECIFIED

1. ALL DIMENSIONS IN INCHES
 - TWO PLACE DECIMALS ±0.02
 - THREE PLACE DECIMALS ±0.005

DO NOT SCALE DRAWING

THIS DRAWING DESCRIBES A DESIGN CONSIDERED PROPRIETARY IN NATURE, DEVELOPED AND MANUFACTURED BY SWITCHCRAFT INC. AND IS RELEASED ON A CONFIDENTIAL BASIS FOR IDENTIFICATION PURPOSES ONLY.									
SIZE		WIDTH		MULT		LBS/M		TEMPER	
FINISH SPEC No.						MATERIAL SPEC No.			
FIRST USED ON				SCALE 1.5:1		Switchcraft [®]			
DATE DRAWN	BY	CHKD	APVD						
9/28/06	JK	JK	JK	9/29/06		SHEET 1 OF 1			
NAME E SERIES D-SUB CONNECTOR, RoHS						PART No. EHDB9 & EHHD15 SERIES		REV D	

X-ON Electronics

Largest Supplier of Electrical and Electronic Components

Click to view similar products for [D-Sub Dualport Connectors](#) category:

Click to view products by [Switchcraft](#) manufacturer:

Other Similar products are found below :

[787672-3](#) [K42X-E15S/S-A4NJ](#) [K42X-E9SS-A4NJ](#) [242A14060X](#) [242A14540X](#) [242A14600X](#) [164A15819X](#) [2-21012-1](#) [G17H57K1220](#)
[241A14410X](#) [K42X-B25S/S-A4N](#) [DLS2SS5AN21X](#) [K42X-E9P/E15S-A4NJ](#) [241A22450X](#) [13-001073](#) [242A14180X](#) [241A14190X](#) [1-](#)
[1734282-3](#) [K42X-E9PE15S-A4N](#) [K42X-E9P/P-A4N](#) [K42X-E9S/S-A4N](#) [178-037-613R571](#) [178-015-413R571](#) [178-025-513R691](#) [178-009-](#)
[513R691](#) [189-037-513R691](#) [178-025-313R691](#) [178-025-613R691](#) [179-025-613R571](#) [179-037-413R571](#) [179-015-613R571](#) [178-009-413R691](#)
[189-037-313R571](#) [179-015-513R571](#) [178-037-513R491](#) [178-037-613R491](#) [178-009-413R571](#) [178-009-513R571](#) [178-009-613R491](#) [178-009-](#)
[613R691](#) [178-015-513R571](#) [178-015-613R571](#) [178-025-413R571](#) [179-009-613R571](#) [179-037-513R571](#) [K42X-E15S/S-A4N](#) [K42X-E9S/P-](#)
[A4N](#) [L17H2220131](#) [178-009-513R491](#) [178-009-513R671](#)